



PARTS CATALOGUE



BMW/ALPINA B3 3,0

BMW/ALPINA B3 3,0 Coupé

BMW/ALPINA B3 3,0 Cabrio

BMW/ALPINA B3 3,0 touring

BMW/ALPINA B6 2,8/2

BMW/ALPINA B6 2,8 Coupé/2

The ALPINA parts catalogue is based on the BMW parts catalogue. The basic car for the BMW/ALPINA B3 3,0 (B3 3.0), the BMW/ALPINA B3 3.0 Coupé (B3 3,0C), the BMW/ALPINA B3 3,0 Cabrio (B3 3,0R), the BMW/ALPINA B6 2,8/2 (B6 2,8/2) and the BMW/ALPINA B6 2,8 Coupé/2 (B6 2,8 C/2) is the BMW 325i resp. BMW 325i Coupé.

Only ALPINA parts and not clear perceptible BMW parts that are different to the basic car are listed. For BMW parts you have to use the BMW parts catalogue. The abbreviations used in several columns of the text lines have the following meanings:

1. item column (POS): picture number equal to part shown
 2. expression column
 3. part number column
 4. model column: quantity; x=quantity as required
 5. remarks column (REM): a, b, c, ... country specification, use from / up to, other informations; 0=LHD; 00=RHD
- A: part number exchangeable with the one mentioned in the next line
E: part number cancelled
W: part number has to be used alternatively by the one standing either before it or afterwards (also marked with "W")

CATALOGUE INDEX

11 11	crankgear	33 10	differential
11 12	cylinder head	36 11	wheel set
13 56	injection system	41 00	spoiler
18 10	silencer system	51 00	signs
23 10	manual gearbox	62 10	instrument panel
24 00	automatic gearbox		digital - cockpit
31 00	suspension	88 01	information stickers
32 33	leather steering wheel		

PO-number 88 03 066

as of 29.10.2001

ALPINA BURKARD BOVENSIEPEN GMBH + CO.

Alpenstraße 35-37 D-86807 Buchloe Tel. 08241/5005-0



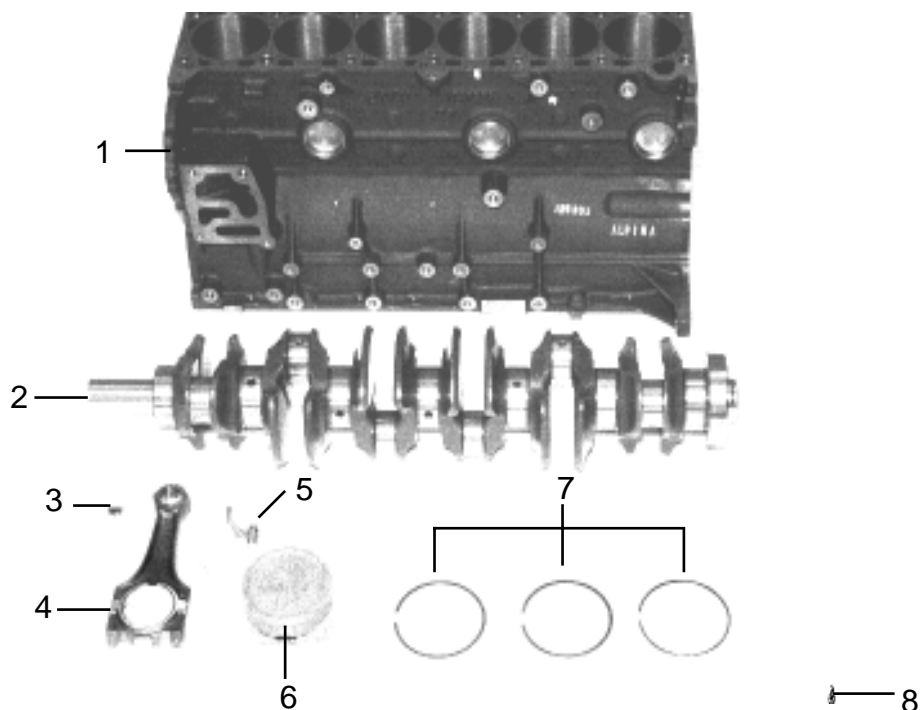
BMW/ALPINA B3 3,0L; B3 3,0 C;
B3 3,0 R; B6 2,8/2; B6 2,8 C/2

crankgear

as of
10/01

sheet
1

group
11 11



P O S	expression	part number	B3 3,0	B3 3,0 C	B3 3,0 R	B3 3,0 T	B6 2,8 /2	B6 2,8 C/2	R E M
1	crankcase 86,00 without piston	11 11 119	1	1	1	1			
1	crankcase 86,10 without piston	11 11 120	1	1	1	1			
2	crankshaft without bearing shells	11 21 113	1	1	1	1			a
2	crankshaft without bearing shells	11 21 112					1	1	a
3	woodruff key	07 11 9 951 480	1	1	1	1	1	1	
4	connecting rod 135 mm	11 24 1 730 420	6	6	6	6			
4	connecting rod 135 mm	11 24 1 730 420					6	6	b
4	connecting rod 140 mm	11 24 1 721 471					6	6	c
5	oil splash nozzle	11 42 631	6	6	6	6			
5	oil splash nozzle	11 42 1 730 618					6	6	
6	piston 85,965	11 25 162	6	6	6	6			
6	piston 86,015	11 25 163	6	6	6	6			
6	piston 83,97	11 25 156					6	6	b
6	piston 84,05	11 25 157					6	6	b
6	piston 84,22	11 25 158					6	6	b
6	piston 83,96	11 25 159					6	6	c
6	piston 84,04	11 25 160					6	6	c
6	piston 84,21	11 25 161					6	6	c
a	Assembling of conrod bearings and main bearings corresponding to BMW instructions and colour marks								
b	until 9/92 engine E1								
c	from 9/92 engine E1/3 (Vanos))								



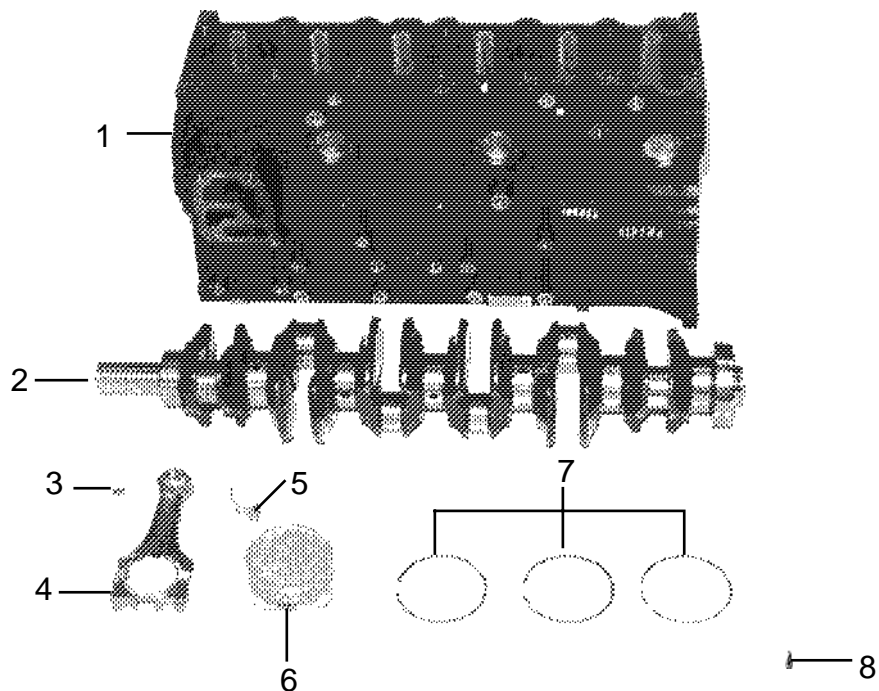
BMW/ALPINA B3 3,0L; B3 3,0 C;
B3 3,0 R; B6 2,8/2; B6 2,8 C/2

crankgear

as of
10/01

sheet
1

group
11 11



P O S	expression	part number	B3 3,0	B3 3,0 C	B3 3,0 R	B3 3,0 T	B6 2,8 /2	B6 2,8 C/2	R E M
7	set of piston rings 86,00	11 25 773	6	6	6	6			
7	set of piston rings 86,10	11 25 774	6	6	6	6			
7	set of piston rings 84,00	11 25 1 713 192					6	6	a
7	set of piston rings 84,10	11 25 1 713 193					6	6	a
7	set of piston rings 84,25	11 25 1 713 194					6	6	a
7	set of piston rings 84,00	11 25 1 738 736					6	6	b
7	set of piston rings 84,10	11 25 1 738 737					6	6	b
7	set of piston rings 84,25	11 25 1 738 738					6	6	b
8	plug	11 11 122	6	6	6	6	6	6	

a up to 9/92 engine E1
b from 9/92 engine E1/3 (Vanos)



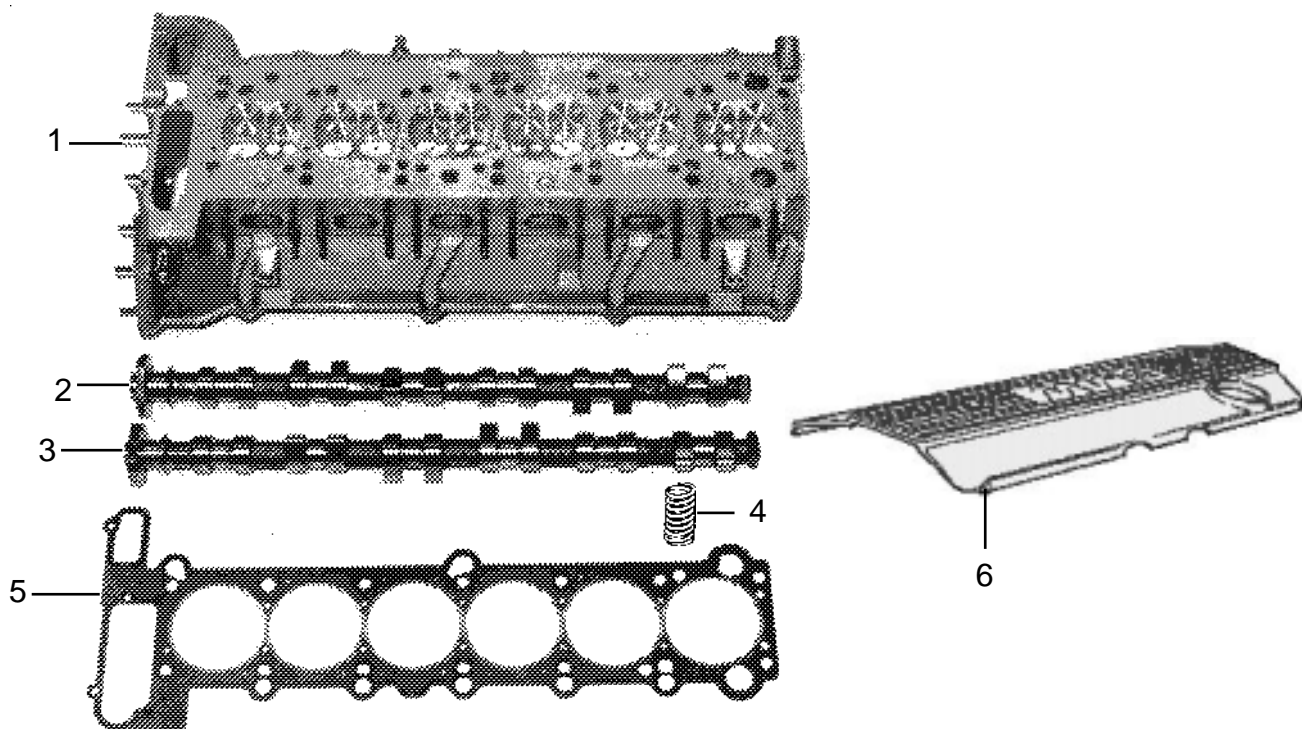
BMW/ALPINA B3 3,0L; B3 3,0 C;
B3 3,0 R; B6 2,8/2; B6 2,8 C/2

cylinder head

as of
10/01

sheet
1

group
11 12



P O S	expression	part number	B3	B3	B3	B3	B6	B6	R E M
			3,0	3,0 C	3,0 R	3,0 T	2,8 /2	2,8 C/2	
1	cylinder head	11 12 114	1	1	1	1			
1	cylinder head	11 12 113					1	1	a
1	cylinder head	11 12 114					1	1	b
2	inlet camshaft	11 31 117	1	1	1	1			
2	inlet camshaft	11 31 115					1	1	a
2	inlet camshaft	11 31 117					1	1	b
3	outlet camshaft	11 31 116	1	1	1	1	1	1	
4	valve spring inlet	11 34 007	12	12	12	12			
4	valve spring inlet	11 34 007					12	12	b
5	cylinder head gasket	11 12 115	1	1	1	1			
5	cylinder head gasket 1,75mm	11 12 1 726 617					1	1	
6	cover	11 12 116	1	1	1	1			
a	up to 9/92 engine E1								
b	from 9/92 engine E1/3 (Vanos)								



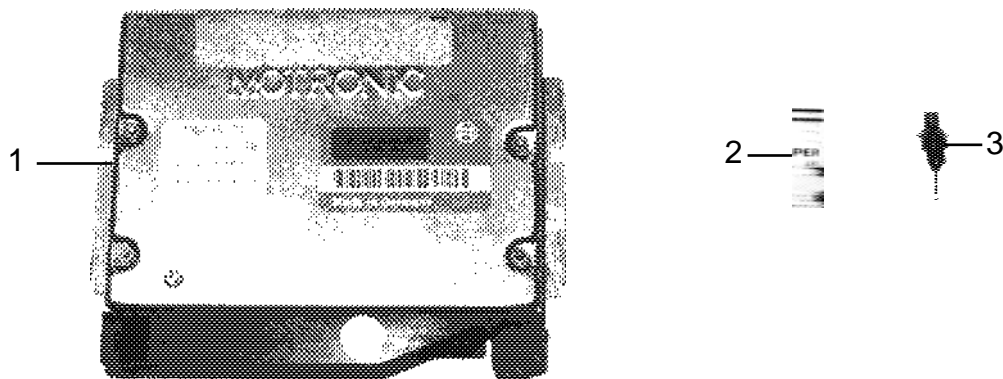
BMW/ALPINA B3 3,0L; B3 3,0 C;
B3 3,0 R; B6 2,8/2; B6 2,8 C/2

injection system

as of
10/01

sheet
1

group
13 56



P O S	expression	part number	B3	B3	B3	B3	B6	B6	R E M
			3,0	3,0 C	3,0 R	3,0 T	2,8 /2	2,8 C/2	
1	control unit (Motronic)	13 56 676	1	1	1	1			a
1	control unit (Motronic)	13 56 667					1	1	ab
1	control unit (Motronic)	13 56 671					1	1	ac
2	spark plug Bosch F7 LDCR	12 10 042	6	6	6	6			
2	spark plug NGK BCPR 7ER						6	6	AE
2	spark plug Bosch F7 LDCR	12 10 042					6	6	
2	spark plug High Power	12 12 9 071 003	6	6	6	6	6	6	W
3	injection valve Lucas	13 64 1 730 292	6	6	6	6			
<p>a when ordering please indicate the production number of the car b until 9/92 engine E1 c from 9/92 engine E1/3 (Vanos)</p>									



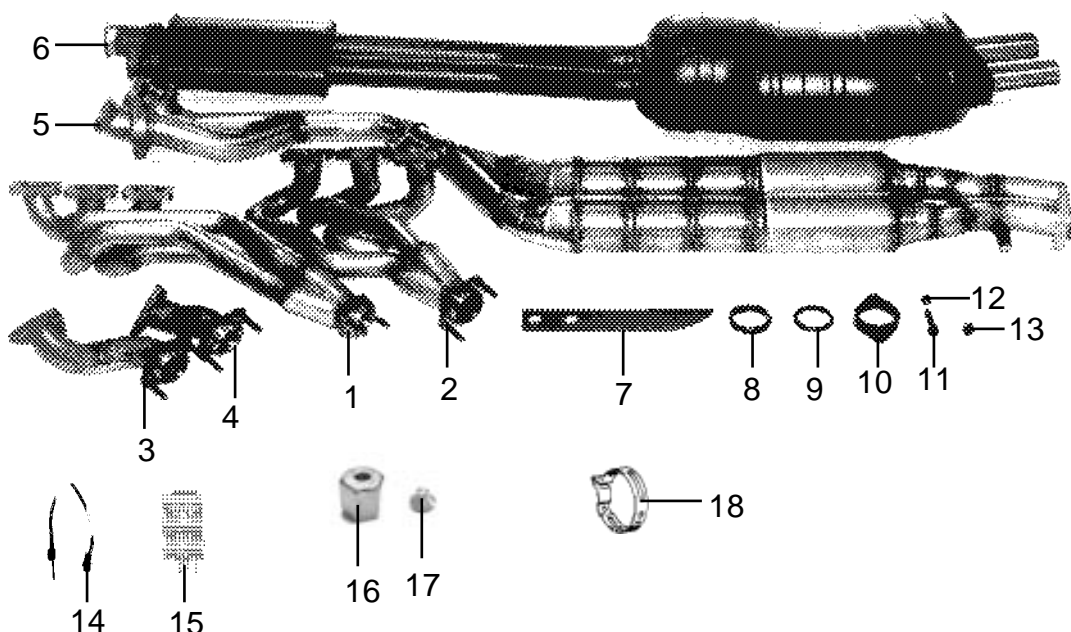
BMW/ALPINA B3 3,0L; B3 3,0 C;
B3 3,0 R; B6 2,8/2; B6 2,8 C/2

exhaustsystem

as of
10/01

sheet
1

group
18 10



P O S	expression	part number	B3	B3	B3	B3	B6	B6	R E M
			3,0	3,0 C	3,0 R	3,0 T	2,8 /2	2,8 C/2	
1	exhaust manifold 1	18 10 181	1	1	1	1	1	1	0
2	exhaust manifold 2	18 10 182	1	1	1	1	1	1	0
3	intermediate pipe 1	18 10 189	1	1	1	1	1	1	00
4	intermediate pipe 2	18 10 190	1	1	1	1	1	1	00
5	exhaust pipe catalyst	18 10 203	1	1	1	1			
5	exhaust pipe catalyst	18 10 201	1	1	1	1			00
5	exhaust pipe catalyst	18 10 185					1	1	a
5	exhaust pipe catalyst (Isoliert)	18 10 201					1	1	b
6	silencer system	18 10 204	1	1	1	1			
6	silencer system	18 10 187	1	1	1	1			00
6	silencer system	18 10 187					1	1	
7	exhaust tube bracket	18 10 191	1	1	1	1	1	1	c
7	exhaust tube bracket	18 10 192	1	1	1	1	1	1	d
8	gasket ring without asbestos Ø 55	18 11 1 723 539	1	1	1	1	1	1	
9	gasket ring Ø 52	18 11 1 719 370	1	1	1	1	1	1	
10	flange	18 11 1 719 371	1	1	1	1	1	1	
11	screw M10x55	07 11 073	4	4	4	4	4	4	
12	nut M10	07 29 101	4	4	4	4	4	4	
a	up to 9/92 engine E1								
b	from 9/92 engine E1/3 (Vanos)								
c									manual gearbox
d									automatic gearbox



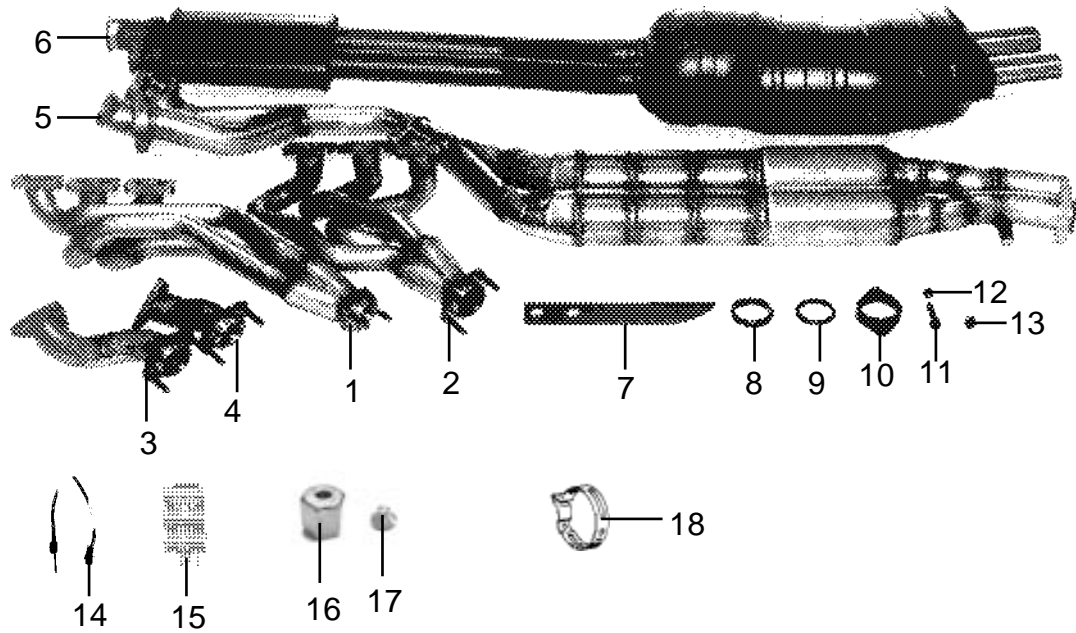
BMW/ALPINA B3 3,0L; B3 3,0 C;
B3 3,0 R; B6 2,8/2; B6 2,8 C/2

exhaustsystem

as of
10/01

sheet
1

group
18 10



P O S	expression	part number	B3 3,0	B3 3,0 C	B3 3,0 R	B3 3,0 T	B6 2,8 /2	B6 2,8 C/2	R E M
13	screw plug	18 10 004	2	2	2	2	2	2	
14	thermo sensor	11 78 1 738 347	2	2	2	2	2	2	a
15	control device	61 31 8 365 846	1	1	1	1	1	1	a
16	cap nut	18 10 006	2	2	2	2			
17	screw plug	18 10 007	2	2	2	2			
18	clamp for bracket POS. 7	18 10 154	1	1	1	1	1	1	

a Japan



BMW/ALPINA B3 3,0L; B3 3,0 C;
B3 3,0 R; B6 2,8/2; B6 2,8 C/2

manual gear box

as of
10/01

sheet
1

group
23 10

As BMW standard up to 6/91

P O S	expression	part number	B3 3,0	B3 3,0 C	B3 3,0 R	B3 3,0 T	B6 2,8 /2	B6 2,8 C/2	R E M
1	gear box S5D 310Z All add-on parts like for example the gear shifting and the propeller shaft are BMW 325i standard up to 6/91	23 00 1 222 262	1	1	1	1	1	1	



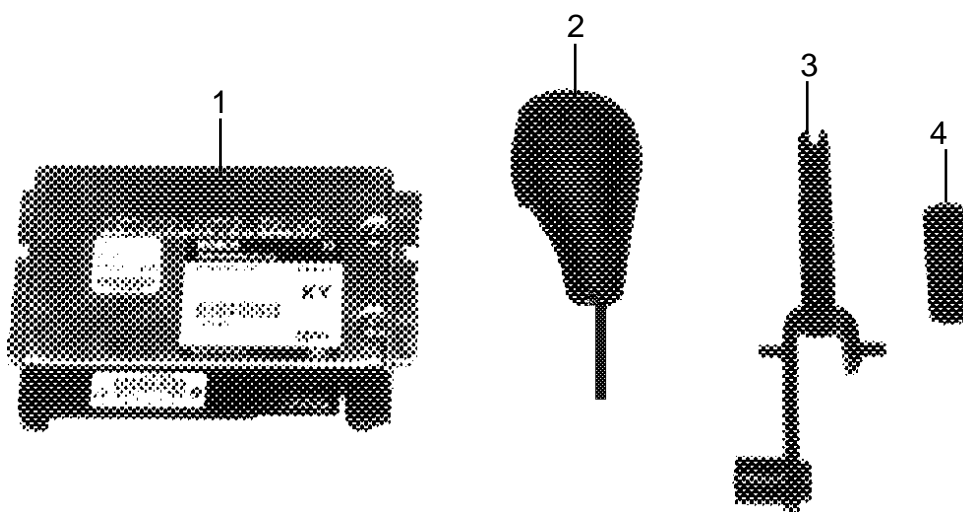
BMW/ALPINA B3 3,0L; B3 3,0 C;
B3 3,0 R; B6 2,8/2; B6 2,8 C/2

automatic gear box

as of
10/01

sheet
1

group
24 10



P O S	expression	part number	B3	B3	B3	B3	B6	B6	R E M
			3,0	3,0 C	3,0 R	3,0 T	2,8 /2	2,8 C/2	
1	control unit automatic gear box	24 10 101	1	1	1	1			a,b
2	selector -lever	25 16 005	1	1	1	1			b
3	gear shift lever	25 16 001	1	1	1	1			b
4	distance sleeve	25 16 004	1	1	1	1			b

a when ordering please indicate the production number of the car
b automatic gearbox



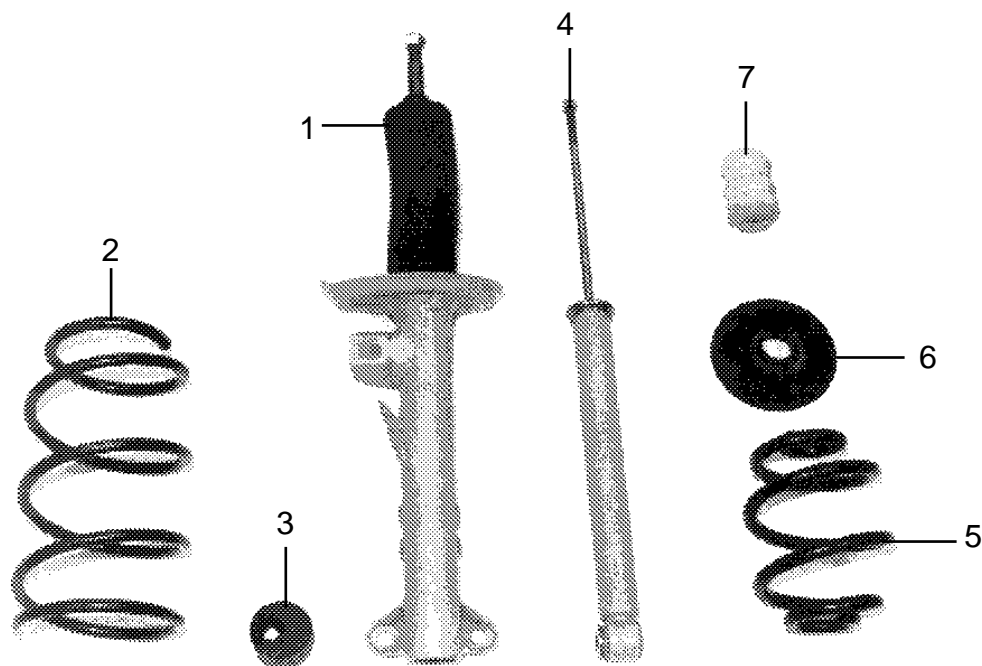
BMW/ALPINA B3 3,0L; B3 3,0 C;
B3 3,0 R; B6 2,8/2; B6 2,8 C/2

chassis

as of
10/01

sheet
1

group
31 00



P O S	expression	part number	B3	B3	B3	B3	B6	B6	R E M	
			3,0	3,0 C	3,0 R	3,0 T	2,8 /2	2,8 C/2		
1	suspension unit insert left	31 31 148	1	1	1	1				
1	suspension unit insert left	31 31 145					1	1	a	
1	suspension unit insert left	31 31 148					1	1	b	
1	suspension unit insert right	31 31 149	1	1	1	1				
1	suspension unit insert right	31 31 146					1	1	a	
1	suspension unit insert right	31 31 149					1	1	b	
2	coil spring front	31 33 110	2	2	2	2				
2	coil spring front	31 33 109					2	2	a	
2	coil spring front	31 33 110					2	2	b	
3	set of rubber bearings for wishbone front	31 12 9 061 222	1	1	1	1	1	1		
4	shock absorber rear	33 52 114	2	2	2	2	2	2		
5	barrel spring rear	33 53 107	2	2	2	2	2	2		
6	upper spring washer 7,5mm ~ 5mm or 10mm depending on car	33 53 1 136 386	2	2	2	2	2	2		
7	damper	33 53 1 138 109	2	2	2	2	2	2		
a	up to 1/93 in combination with single thrust bearing 31 33 1 139 436 and add-on parts									
b	from 1/93 on in connection with single thrust bearing 31 33 1 090 467 and add-on parts (standard parts 325i until 6/92 seo. from 6/92 on)									



Vorderachse

3133110	/2S	/3S	/4S				
31 33 112	/2SK	/3SK	/4SK	/2A	/3A	/4A	CS
31 33 113	/2AK	/3AK	/4AK	CA	CSK	CAK	

Hinterachse

33 53 107	/2	/4					
33 53 109	/2Z	/4Z	/2 AHK	/4 AHK	CS		
33 53 110	/2Z AHK	/3	/4Z AHK	CA	CS AHK		
Satz 33 53 9 065 364	/3 AHK	CA AHK					

Legende:

- /4 = B3 3,2
- /2 = B3 3,2 Coupé
- C = B3 3,2 Cabrio
- /3 = B3 3,2 touring
- S = Schaltgetriebe
- A = Automatikgetriebe, SWITCH-TRONIC
- Z = ALPINA-Zusatztank
- K = Klimaanlage
- AHK = Anhängerkupplung



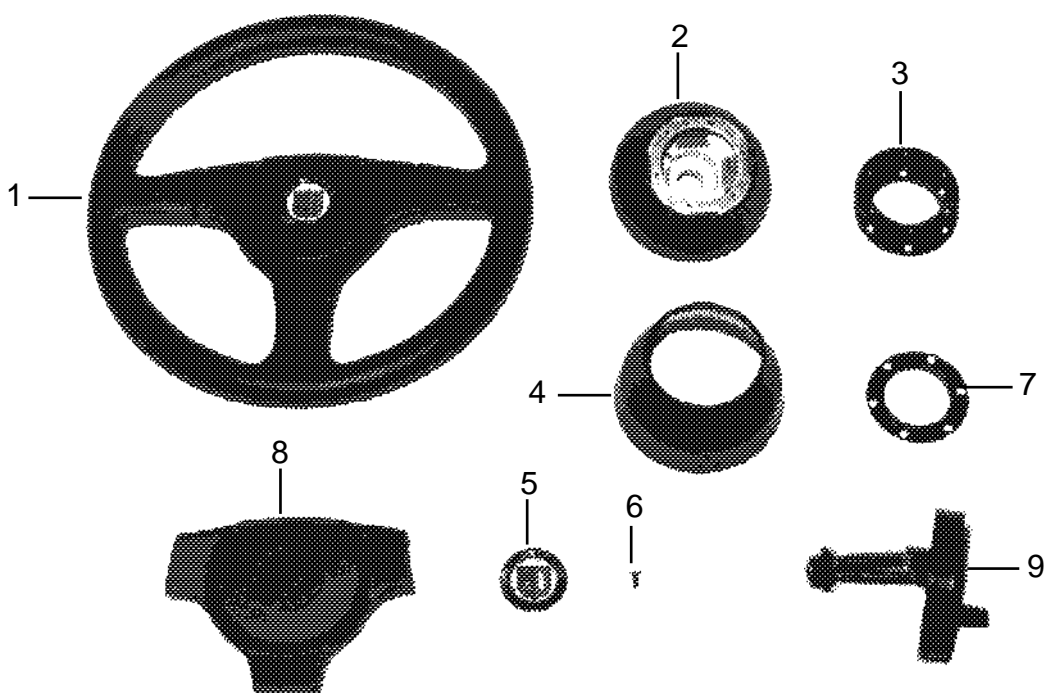
BMW/ALPINA B3 3,0L; B3 3,0 C;
B3 3,0 R; B6 2,8/2; B6 2,8 C/2

leather steering wheel

as of
10/01

sheet
1

group
32 33



P O S	expression	part number	B3	B3	B3	B3	B6	B6	R E M	
			3,0	3,0 C	3,0 R	3,0 T	2,8 /2	2,8 C/2		
1	leather steering wheel	32 33 032	1	1	1	1				
1	leather steering wheel	32 33 039	1	1	1	1			a	
1	leather steering wheel	32 33 032					1	1		
2	hub cpl. K 2008	32 33 033	1	1	1	1				
2	hub cpl. K 2008	32 33 109	1	1	1	1			a	
2	hub cpl. K 2008	32 33 033					1	1		
3	intermediate flange	32 33 036	1	1	1	1				
3	intermediate flange	32 33 036					1	1		
4	hub cap	32 33 037	1	1	1		1	1		
5	emblem	36 13 005	1	1	1		1	1		
6	flat-head screw	32 33 023	12	12	12	12	12	12		
7	bracket	32 33 024	1	1	1	1	1	1		
8	hub cushion	32 33 029	1	1	1	1				
8	hub cushion	32 33 029					1	1		
9	spiral-vee-form-spring	32 33 111	1	1	1	1			a	
9	spiral-vee-form-spring 7-pin	32 33 045					1	1	a	
a	SWITCH-TRONIC									



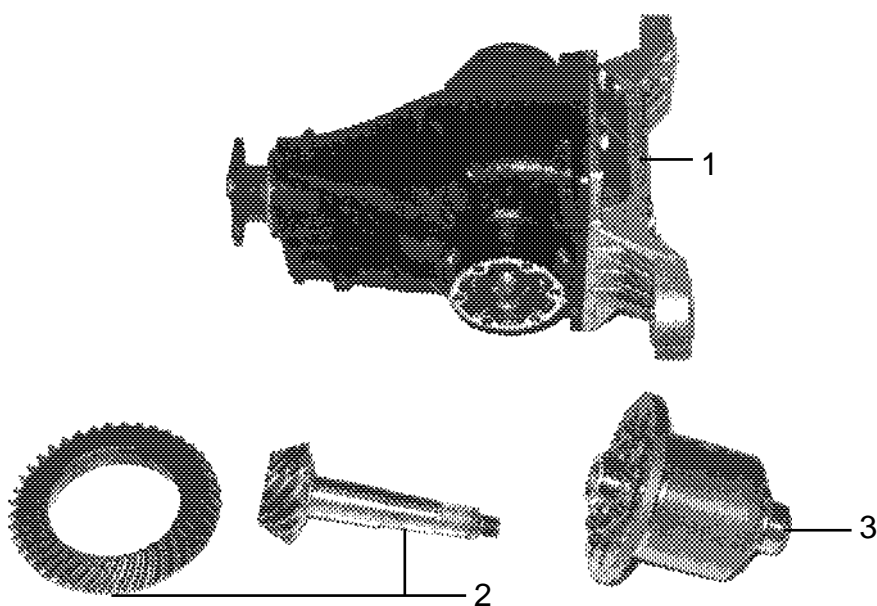
BMW/ALPINA B3 3,0L; B3 3,0 C;
B3 3,0 R; B6 2,8/2; B6 2,8 C/2

differential

as of
10/01

sheet
1

group
33 10



P O S	expression	part number	B3	B3	B3	B3	B6	B6	R E M
			3,0	3,0 C	3,0 R	3,0 T	2,8 /2	2,8 C/2	
1	AT-rear -axle differential 3,15	33 10 1 212 856	1	1	1	1	1	1	a,f
1	AT-rear -axle differential 3,73	33 10 1 212 848	1	1	1	1	1	1	a,e
1	AT-rear -axle differential 2,93	33 10 1 214 636	1	1	1	1	1	1	f
2	set of crown wheels 2,93	33 12 1 208 567	1	1	1	1			d,f
2	set of crown wheels 3,64	33 12 1 208 350	1	1	1	1			bde
2	set of crown wheels 3,45	33 12 1 210 376	1	1	1	1			cde
2	set of crown wheels 2,93	33 12 1 208 567					1	1	d
2	set of crown wheels 3,15	33 12 1 208 542	1	1	1	1	1	1	a,f
2	set of crown wheels 3,73	33 12 1 210 028	1	1	1	1	1	1	a,e
3	lock 25%	33 14 1 209 654	1	1	1	1			f
3	lock 25%	33 14 1 209 652	1	1	1	1			e
3	lock 25%	33 14 1 209 654					1	1	f
3	lock 25%	33 12 1 209 652					1	1	a,e
a	Japan	cpl. rear -axle differential not available from BMW							
b	up to 11/93	d	automatic gearbox						
c	from 11/93	e	manual gearbox						



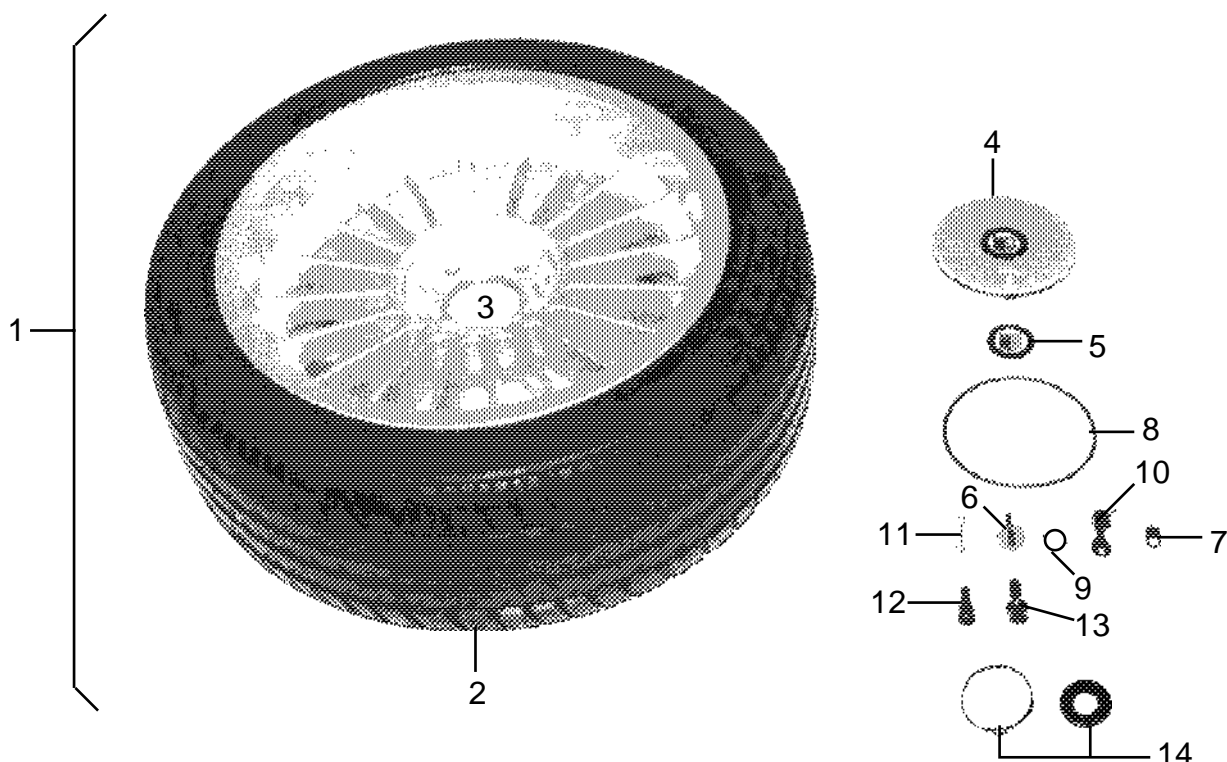
BMW/ALPINA B3 3,0L; B3 3,0 C;
B3 3,0 R; B6 2,8/2; B6 2,8 C/2

wheel set

as of
10/01

sheet
1

group
36 11



P O S	expression	part number	B3 3,0	B3 3,0 C	B3 3,0 R	B3 3,0 T	B6 2,8 /2	B6 2,8 C/2	R E M
1	wheel set 8J + 9J x 17H2 with MXX3 cpl.	36 11 141	1	1	1	1	1	1	
2	ligh alloy wh. 8J x 17H2 with 235/40 ZR 17 MXX3	36 12 529	2	2	2	2	2	2	
2	ligh alloy wh. 9J x 17H2 with 265/35 ZR 17 MXX3	36 12 530	2	2	2	2	2	2	
3	ligh alloy wheel 8J x 17H2	36 11 138	2	2	2	2	2	2	
3	ligh alloy wheel 9J x 17H2	36 11 139	2	2	2	2	2	2	
4	die-casting cover cpl.	36 10 053	4	4	4	4	4	4	
4	die-casting cover	36 13 609	4	4	4	4	4	4	
5	emblem	36 13 005	4	4	4	4	4	4	
6	covering cap	36 13 109	4	4	4	4	4	4	
7	striker lever	36 13 110	4	4	4	4	4	4	
8	O-ring 145 x 5	36 13 610	4	4	4	4	4	4	
9	O-ring 22 x 1,5	36 13 115	4	4	4	4	4	4	
10	lock with key	36 13 112	4	4	4	4	4	4	
11	pull-off hook	36 13 011	4	4	4	4	4	4	
12	metal srcew-on valve	36 10 051	4	4	4	4	4	4	
13	wheel screw	36 13 1 126 014	20	20	20	20	20	20	
14	installation kit steering-stop limiter	32 11 1 140 479	1	1	1	1	1	1	



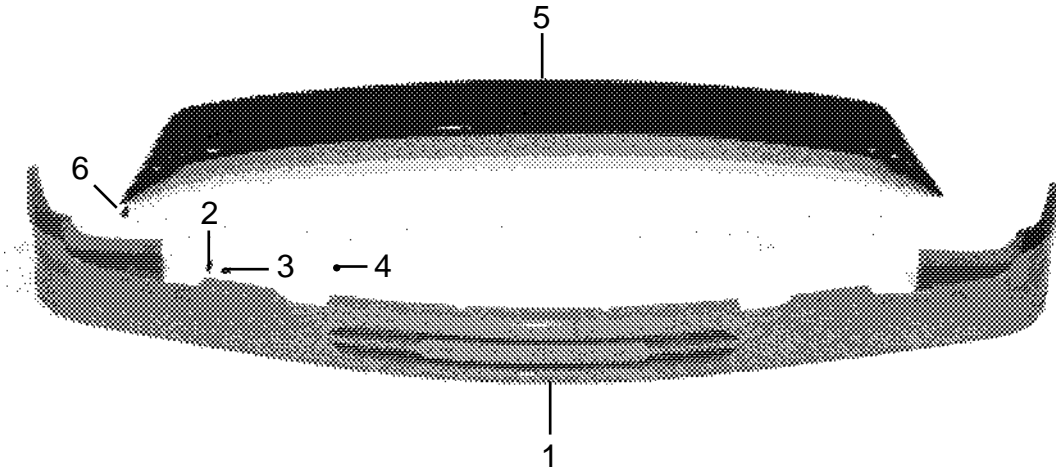
BMW/ALPINA B3 3,0L; B3 3,0 C;
B3 3,0 R; B6 2,8/2; B6 2,8 C/2

spoiler

as of
10/01

sheet
1

group
41 00



P O S	expression	part number	B3 3,0	B3 3,0 C	B3 3,0 R	B3 3,0 T	B6 2,8 /2	B6 2,8 C/2	R E M
1	front spoiler type 164	41 00 165	1	1		1			a
1	front spoiler type 164	41 00 171	1	1		1			b
1	front spoiler type 164	41 00 171			1				
1	front spoiler type 164	41 00 165					1	1	
2	sheet-metal screw 4,8x25	07 24 025	4	4		4			
3	washer 5,3x15	07 33 009	4	4		4			
4	cap nut M4	41 00 158	2	2	2	2	2	2	
5	rear wing type 166	41 00 167	1				1		
5	rear wing type 168	41 00 169		1				1	
6	screw M4x20 VA	07 26 020	4	4			4	4	

a up to 9/93
b from 9/93



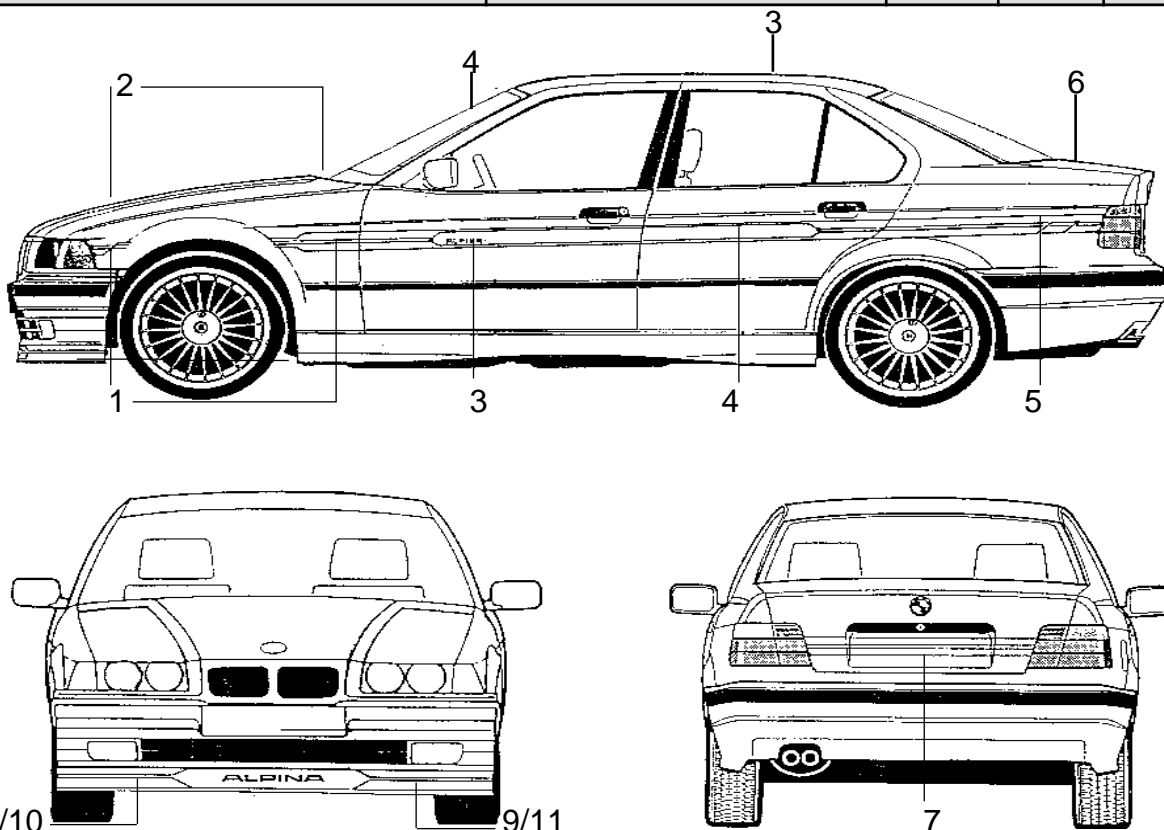
BMW/ALPINA B3 3,0L; B3 3,0 C;
B3 3,0 R; B6 2,8/2; B6 2,8 C/2

deko-set

as of
10/01

sheet
2

group
41 00



8/10

9/11

7

P O S	expression	part number	B3	B3	B3	B3	B6	B6	R E M
			3,0	3,0 C	3,0 R	3,0 T	2,8 /2	2,8 C/2	
1	deko-set FL gold	41 00 247	1	1	1	1	1	1	
1	deko-set FL silver	41 00 253	1	1	1	1	1	1	
2	deko-set FR gold	41 00 246	1	1	1	1	1	1	
2	deko-set FR silver	41 00 252	1	1	1	1	1	1	
3	deko-set door FL + RR gold	41 00 249	1	1	1	1	1	1	
3	deko-set door FL + RR silver	41 00 255	1	1	1	1	1	1	
4	deko-set door FR + RL gold	41 00 248	1	1	1	1	1	1	
4	deko-set door FR + RL silver	41 00 254	1	1	1	1	1	1	
5	deko-set side RL gold	41 00 251	1	1	1	1	1	1	
5	deko-set side RL silver	41 00 257	1	1	1	1	1	1	
6	deko-set side RR gold	41 00 250	1	1	1	1	1	1	
6	deko-set side RR silver	41 00 256	1	1	1	1	1	1	
7	deko-set back gold	41 00 262	1	1	1	1	1	1	
7	deko-set back silver	41 00 263	1	1	1	1	1	1	
	deko-set frontspoiler type 164:								
8	rhomb right	41 00 258	1	1	1	1	1	1	a
8	rhomb right silver	41 00 260	1	1	1	1	1	1	a

a frontspoiler type 164 from 9/93 up to 6/97



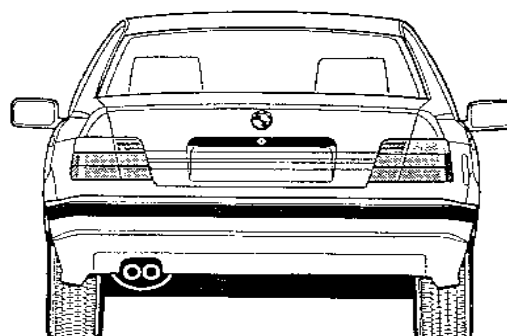
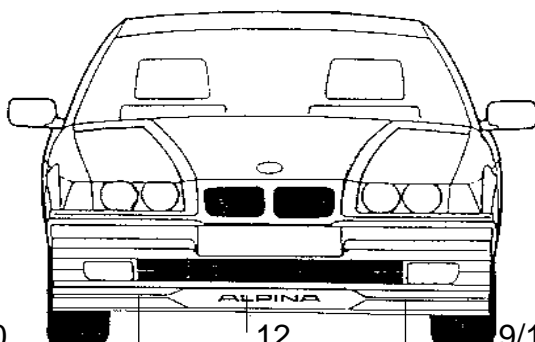
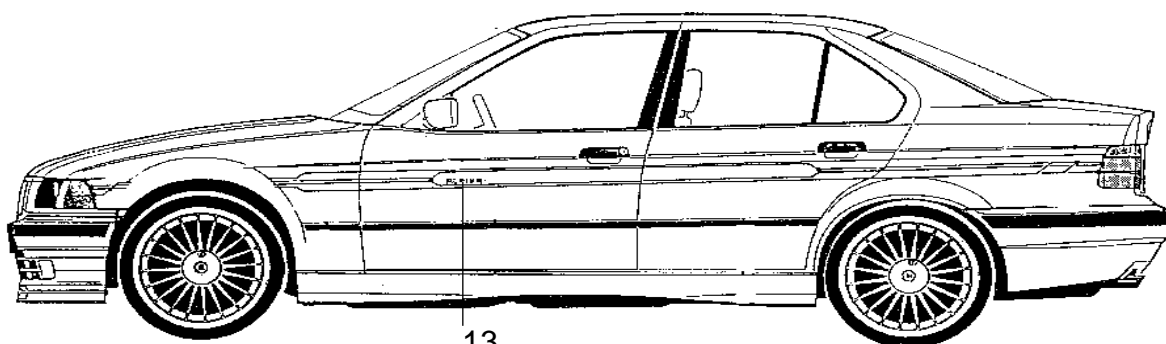
BMW/ALPINA B3 3,0L; B3 3,0 C;
B3 3,0 R; B6 2,8/2; B6 2,8 C/2

deko-set

as of
10/01

sheet
3

group
41 00



P O S	expression	part number	B3	B3	B3	B3	B6	B6	R E M
			3,0	3,0 C	3,0 R	3,0 T	2,8 /2	2,8 C/2	
9	rhomb left gold	41 00 259	1	1	1	1	1	1	a
9	rhomb left silver	41 00 261	1	1	1	1	1	1	a
	deko-set frontspoiler type 189:								
10	rhomb right gold	41 00 278	1	1	1	1	1	1	b
10	rhomb right silver	41 00 280	1	1	1	1	1	1	b
11	rhomb left gold	41 00 279	1	1	1	1	1	1	b
11	rhomb left silver	41 00 281	1	1	1	1	1	1	b
12	letter "ALPINA" gold 300mm	51 00 035	1	1	1	1	1	1	
12	letter "ALPINA" silver 300mm	51 00 013	1	1	1	1	1	1	
13	letter "ALPINA" gold 132mm	51 00 064	2	2	2	2	2	2	
13	letter "ALPINA" silver 132mm	51 00 065	2	2	2	2	2	2	
a	frontspoiler type 164 from 9/93 up to 6/97								
b	frontspoiler type 189 from 6/97								



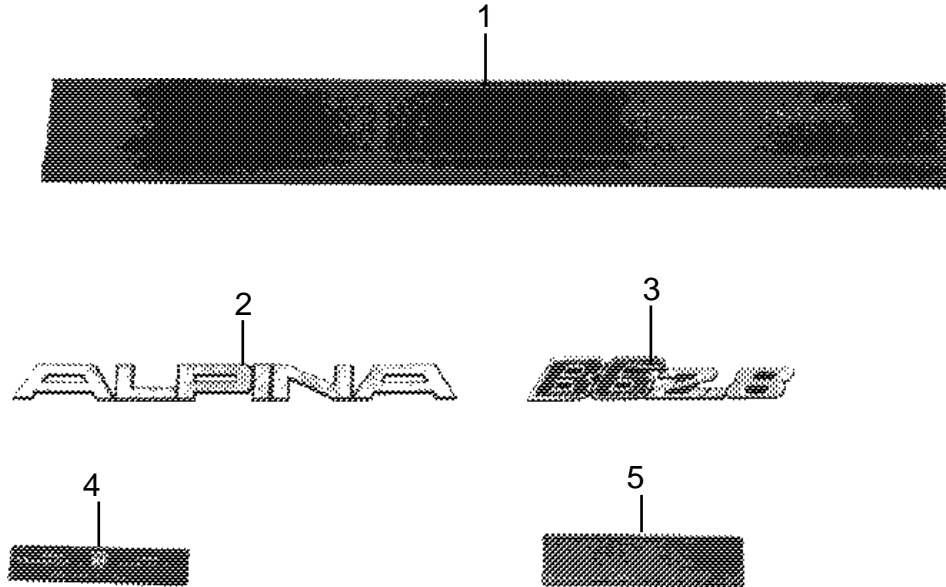
BMW/ALPINA B3 3,0L; B3 3,0 C;
B3 3,0 R; B6 2,8/2; B6 2,8 C/2

signs

as of
10/01

sheet
1

group
51 00



P O S	expression	part number	B3 3,0	B3 3,0 C	B3 3,0 R	B3 3,0 T	B6 2,8 /2	B6 2,8 C/2	R E M
1	entrance panell left	51 47 101	1			1	1		
1	entrance panell right	51 47 102	1			1	1		
1	entrance panell left	51 47 103		1	1			1	
1	entrance panell right	51 47 104		1	1			1	
2	light alloy sign for rear	51 00 024	1	1	1	1	1	1	
3	sign B3 3,0 rear	51 00 098	1	1	1	1			
3	sign SWITCH-TRONIC	51 00 208	1	1	1	1			
3	sign B6 2,8	51 00 089					1	1	
4	production plate	76 00 060	1						
4	production plate	76 00 061		1					
4	production plate	76 00 064			1				
4	production plate	76 00 077				1			
4	production plate	76 00 057					1		
4	production plate	76 00 059						1	
5	frame for production plate	51 00 125	1	1	1	1	1	1	



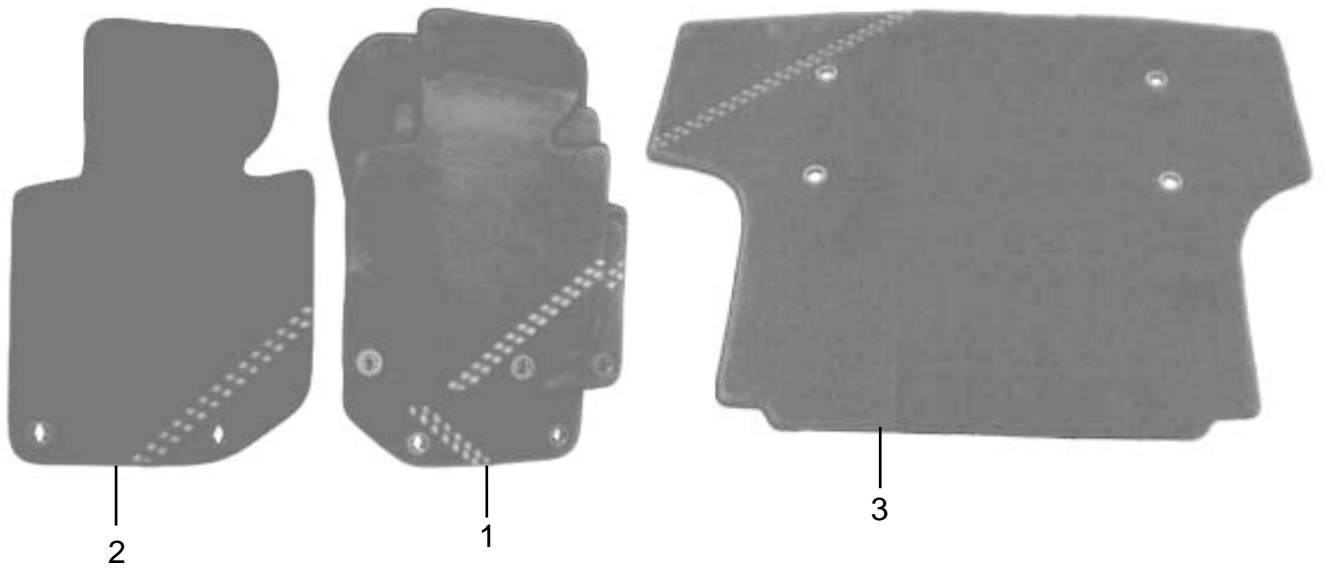
BMW/ALPINA B3 3,0L; B3 3,0 C;
B3 3,0 R; B6 2,8/2; B6 2,8 C/2

floor mats

as of
10/01

sheet
1

group
51 43



P O S	expression	part number	B3 3,0	B3 3,0 C	B3 3,0 R	B3 3,0 T	B6 2,8 /2	B6 2,8 C/2	R E M
1	set of floor mats design '97	51 43 114	1	1		1	1	1	a
1	set of floor mats design '97	51 43 116			1				a
1	set of floor mats design '97 RHD	51 43 118	1	1		1	1	1	a
1	set of floor mats design '97 RHD	51 43 120			1				a
2	floor mat driver design '97	51 43 115	1	1		1	1	1	a
2	floor mat driver design '97	51 43 117			1				a
2	floor mat driver design '97 RHD	51 43 119	1	1		1	1	1	a
2	floor mat driver design '97 RHD	51 43 121			1				a
3	boot mat	51 43 124				1			b

a old version not available any more!

b extra available



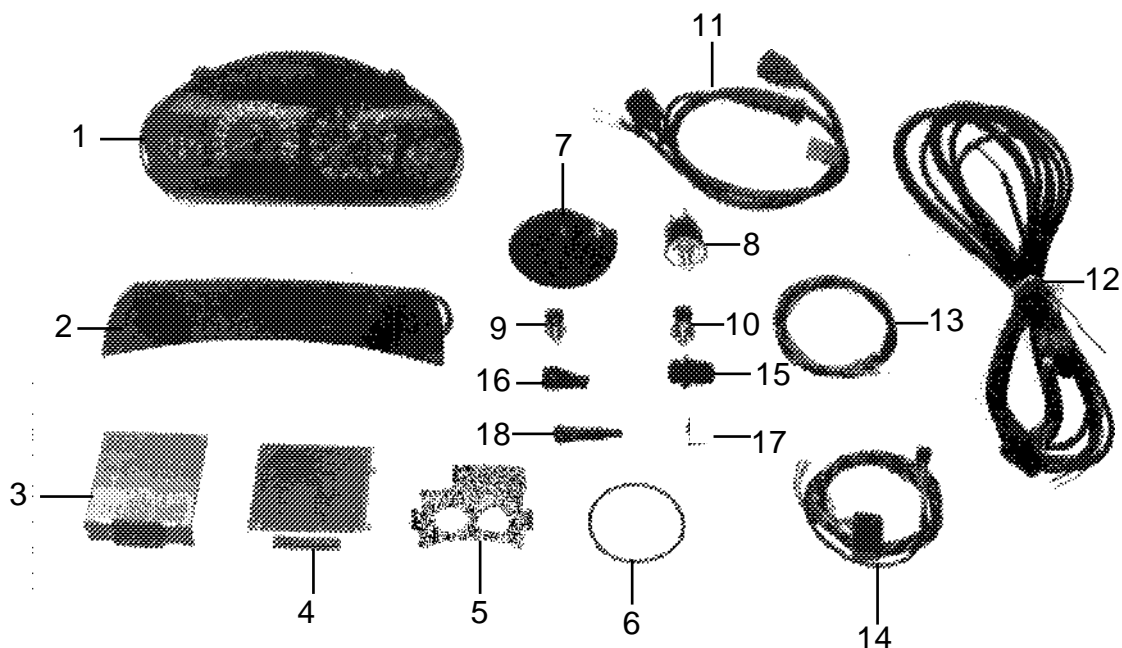
BMW/ALPINA B3 3,0L; B3 3,0 C;
B3 3,0 R; B6 2,8/2; B6 2,8 C/2

instrument panel
digital - cockpit

as of
10/01

sheet
1

group
62 10



P O S	expression	part number	B3 3,0	B3 3,0 C	B3 3,0 R	B3 3,0 T	B6 2,8 /2	B6 2,8 C/2	R E M
1	instrument panel cpl.	62 10 138	1	1	1	1	1	1	AE
1	instrument panel cpl.	62 10 148	1	1	1	1	1	1	b
2	digital gauge with SWITCH-TRONIC	62 10 142	1	1	1	1			a
2	digital gauge without SWITCH-TRONIC	62 10 139	1	1	1	1	1	1	
3	digital read-out with SWITCH-TRONIC	62 10 143	1	1	1	1			a
3	digital read-out without SWITCH-TRONIC	62 10 141	1	1	1	1	1	1	
4	digital gear indicator with SW.-TR.	62 10 144	1	1	1	1			a
5	bracket	62 10 145	1			1	1		
5	bracket	62 10 147		1	1			1	
6	rubber ring	62 10 146	1	1	1	1	1	1	
7	oil filter cover	11 42 011	1	1	1	1	1	1	
8	oil pressure sensor	62 10 040	1	1	1	1	1	1	
9	engine oil temperature sensor M12x1,5	62 10 037	1	1	1	1	1	1	
10	differential oil temperature sensor M22x1,5	62 10 039	1	1	1	1	1	1	
11	adapter cable (engine)	61 11 070	1	1	1	1	1	1	
12	wiring harness (digital read-out)	61 11 071	1	1	1	1	1	1	
13	wiring harness (X69-automatic gear-box)	61 11 073	1	1	1	1			a
14	wiring harness (steering wheel - digital read-out X69)	61 11 074	1	1	1	1			a
15	housing	12 52 1 719 569	1	1	1	1	1	1	
16	protecting sleeve	12 52 1 732 691	1	1	1	1	1	1	
17	housing	61 10 083	1	1	1	1	1	1	
18	protecting sleeve	61 10 084	1	1	1	1	1	1	

a SWITCH-TRONIC
b only with adapter cable 61 12 8 374 946!



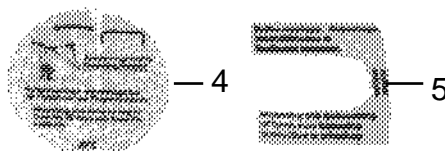
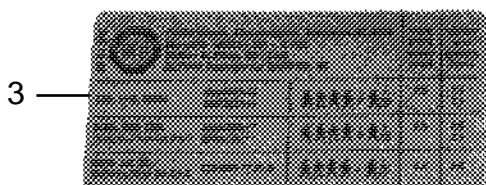
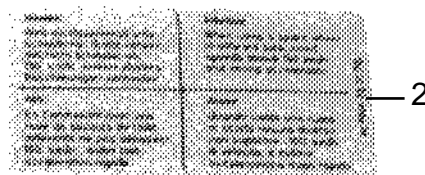
BMW/ALPINA B3 3,0L; B3 3,0 C;
B3 3,0 R; B6 2,8/2; B6 2,8 C/2

information stickers

as of
10/01

sheet
1

group
88 01



P O S	expression	part number	B3	B3	B3	B3	B6	B6	R E M
			3,0	3,0 C	3,0 R	3,0 T	2,8 /2	2,8 C/2	
1	identification plate	88 01 001	1	1	1	1	1	1	
2	information sign	88 01 010	1	1	1	1	1	1	
3	tire pressure sticker	88 01 051	1	1					
3	tire pressure sticker	88 01 059			1				
3	tire pressure sticker	88 01 075				1			
3	tire pressure sticker	88 01 046					1	1	
4	information sign 'tire mounting' (cover)	88 01 045	1	1	1	1	1	1	
5	information sign 'tire mounting' (rim)	88 01 044	1	1	1	1	1	1	
6	plate 'Super Plus' (tank cap)	88 01 037	1	1	1	1	1	1	
6	plate 'Super Plus' (instrument panel)	88 01 047	1	1	1	1	1	1	
7	shift pattern	51 00 610	1	1	1	1	1	1	