



PARTS CATALOGUE

Series E39



BMW/ALPINA B10 V8

BMW/ALPINA B10 V8 touring

The ALPINA-parts catalogue is based on the BMW-parts catalogue. Basic cars for the BMW/ALPINA B10 V8 and the B10 V8 touring are the BMW 540i and the BMW 540i touring. Only ALPINA-parts and not clear perceptible BMW-parts which differ from the basic-car are listed. For BMW-parts you have to use the BMW-parts-catalogue.

The car types are shortened as follows:

BMW/ALPINA B10 V8 limousine B10 V8 L
BMW/ALPINA B10 V8 touring B10 V8 T

The abbreviations used in several columns of the text lines have the following meanings:

1. item column (POS): picture number equal to the shown part
2. expression column
3. part number column
4. model column: wanted quantity; x = quantity as required
5. SW-TrRL-column: x = suitable for right hand drive cars
parts not marked: suitable for RHD and LHD cars
6. informations
7. remarks column (REM): a, b, c, ... country specification, use from / up to,
other informations
A: part number exchangeable with the one mentioned in the next line
E: part number is cancelled
WW: part number is used alternatively by the one standing either before it or after-
wards (also marked with "WW")

The illustrations in this catalogue do not correspond to the original size and shape!

CATALOGUE INDEX

11 11	crankcase	33 52	rear suspension
11 12	cylinder head	36 11	wheels
11 61	engine cover	41 00	spoiler
12 10	engine electrics		rear wing
13 70	intake trumpet		deko-set
18 10	exhaust system	51 00	signs/door-sill cover
24 10	automatic gearbox	51 43	floor mats
31 00	front suspension		noble wood
32 33	airbag steering wheel	62 10	instrument panel
33 10	rear axle	88 01	information stickers

part number 88 03 173

as of 29.10.2001

ALPINA Burkard Bovensiepen GmbH + Co. • Alpenstraße 35 • 86 807 Buchloe
Telefon 0 82 41 / 50 05-0 • Telefax 0 82 41/50 05-155



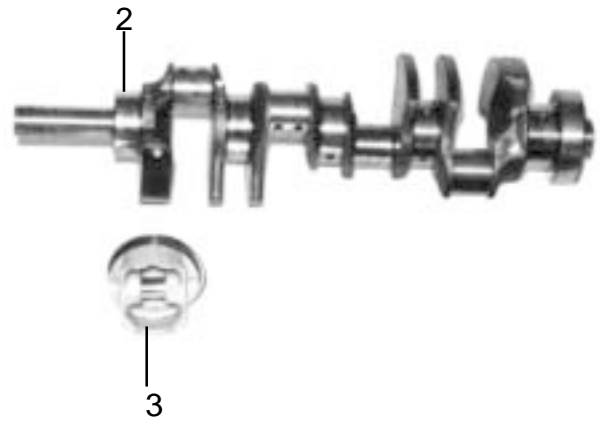
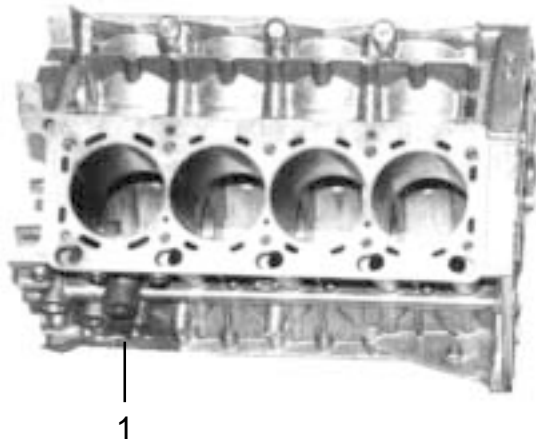
BMW/ALPINA B10 V8;
B10 V8 touring

crankcase

as of
10/01

sheet
1

group
11 11



P O S	expression	part number	B10	B10	RL		R E M
			V8 L	V8 T			
1	crankcase Ø93,00 mm without pistons	11 11 634	1	1			
1	crankcase Ø93,00 mm without pistons	11 11 636	1	1	x		
2	crankshaft	11 21 615	1	1			
3	piston 92,985mm	11 25 830	8	8			a
3	piston 92,985mm	11 25 834	8	8			b

a with chassis-no.: AF30 . . . / BF30 . . .
b with chassis-no. from...on: HF40 . . . / JF40 . . .



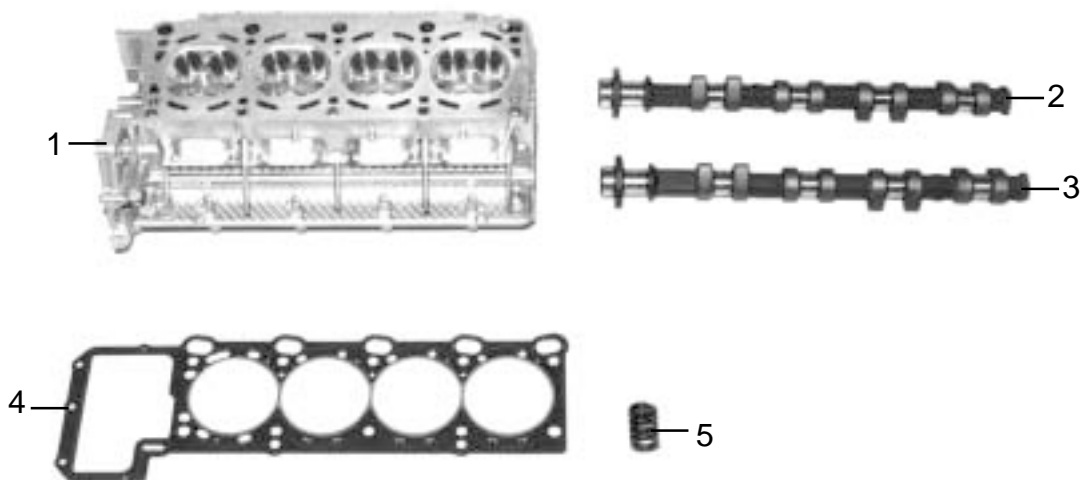
BMW/ALPINA B10 V8;
B10 V8 touring

cylinder head

as of
10/01

sheet
1

group
11 12



P O S	expression	part number	B10	B10	RL		R E M
			V8 L	V8 T			
1	cylinder head right cyl. 1-4	11 12 642	1	1			a
1	cylinder head right cyl. 5-8	11 12 641	1	1			a
1	cylinder head right cyl. 1-4	11 12 646	1	1			b
1	cylinder head right cyl. 5-8	11 12 645	1	1			b
2	camshaft intake cyl. 1-4	11 31 630	1	1			a
2	camshaft intake cyl. 5-8	11 31 632	1	1			a
2	camshaft intake cyl. 1-4	11 31 634	1	1			b
2	camshaft intake cyl. 5-8	11 31 636	1	1			b
3	camshaft exhaust cyl. 1-4	11 31 631	1	1			a
3	camshaft exhaust cyl. 5-8	11 31 633	1	1			a
3	camshaft exhaust cyl. 1-4	11 31 635	1	1			b
3	camshaft exhaust cyl. 5-8	11 31 637	1	1			b
4	cylinder head gasket cyl. 1-4	11 12 639	1	1			AE
4	cylinder head gasket cyl. 1-4	11 12 652	1	1			
4	cylinder head gasket cyl. 5-8	11 12 640	1	1			AE
4	cylinder head gasket cyl. 5-8	11 12 653	1	1			
5	valve spring intake/exhaust	11 34 014	32	32			

a with chassis-no.: AF30 ... / BF30 ...

b with chassis-no. from...on: HF40 ... / JF40 ...



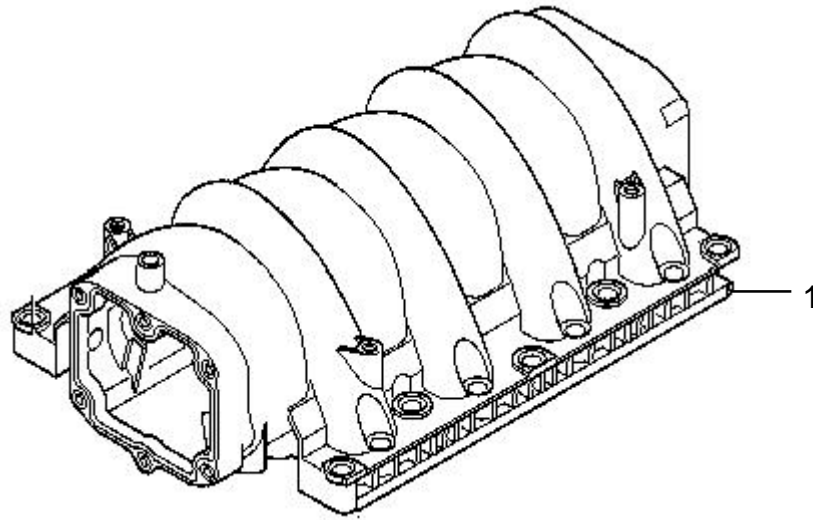
BMW/ALPINA B10 V8;
B10 V8 touring

intake system

as of
10/01

sheet
1

group
11 61



P O S	expression	part number	B10 V8 L	B10 V8 T	RL		R E M
1	intake system	11 61 1 729 528	1	1			



BMW/ALPINA B10 V8;
B10 V8 touring

engine cover

as of
10/01

sheet
2

group
11 61



P O S	expression	part number	B10 V8 L	B10 V8 T	RL		R E M
1	engine cover	11 61 655	1	1			a
1	engine cover	11 61 659	1	1			b
a	with chassis-no.: AF30 ... / BF30 ...						
b	with chassis-no. from...on: HF40 ... / JF40 ...						



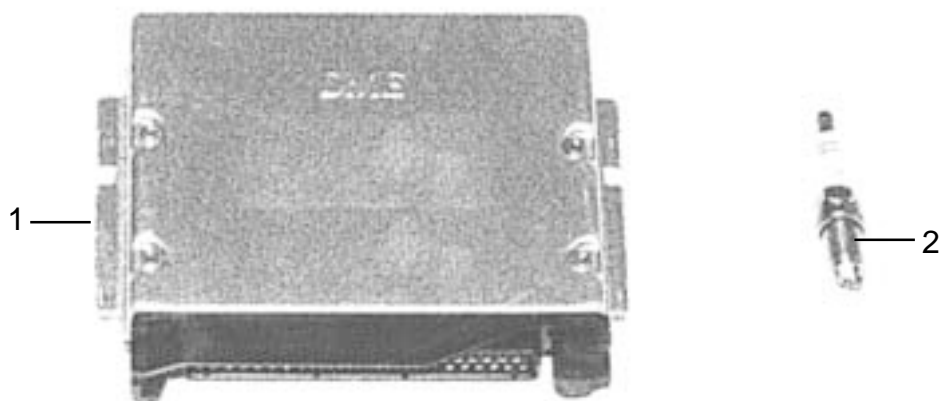
BMW/ALPINA B10 V8;
B10 V8 touring

engine electrics

as of
10/01

sheet
1

group
12 10



P O S	expression	part number	B10	B10	RL		R E M
			V8 L	V8 T			
1	control unit Motronic DME M5.2	13 56 686	1	1			a,b
1	control unit Motronic DME M5.2.1	13 56 692	1	1			a,d
1	control unit Motronic DME ME 7.2	13 56 691	1	1			a,c
2	spark plug Bosch F7 LDCR	12 10 042	8	8			WW
2	spark plug NGK BKR 6 EK	12 10 042	8	8			WW
2	spark plug NGK BKR 6 EQUIP	12 12 9 071 003	8	8			WW
2	spark plug NGK BKR 6 EQUIP	12 12 9 071 003	8	8			c
a	when ordering please indicate chassis number!		c	from chas.no. HF40../JF40..			
b	up to 09/1997		d	from 09/1997 on			



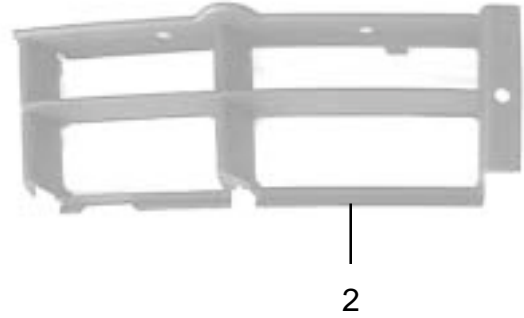
BMW/ALPINA B10 V8;
B10 V8 touring

intake trumpet

as of
10/01

sheet
1

group
13 70



P O S	expression	part number	B10 V8 L	B10 V8 T	RL		R E M
1	intake trumpet	13 70 669	1	1			a
2	grill for right air channel	51 00 677	1	1			a

a not for U.A.E!



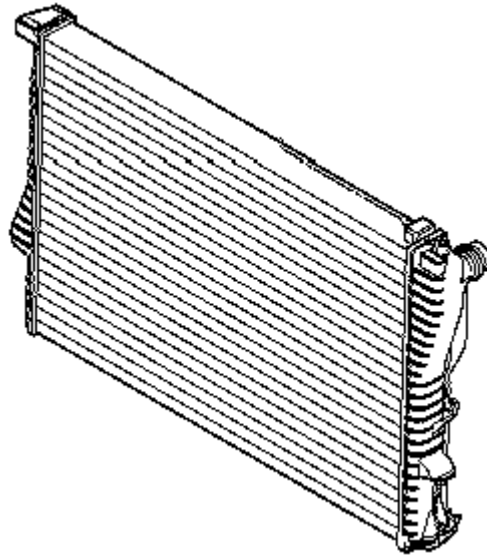
BMW/ALPINA B10 V8;
B10 V8 touring

radiator

as of
10/01

sheet
1

group
17 11



P O S	expression	part number	B10 V8 L	B10 V8 T	RL		R E M
1	radiator	17 11 1 436 063	1	1			



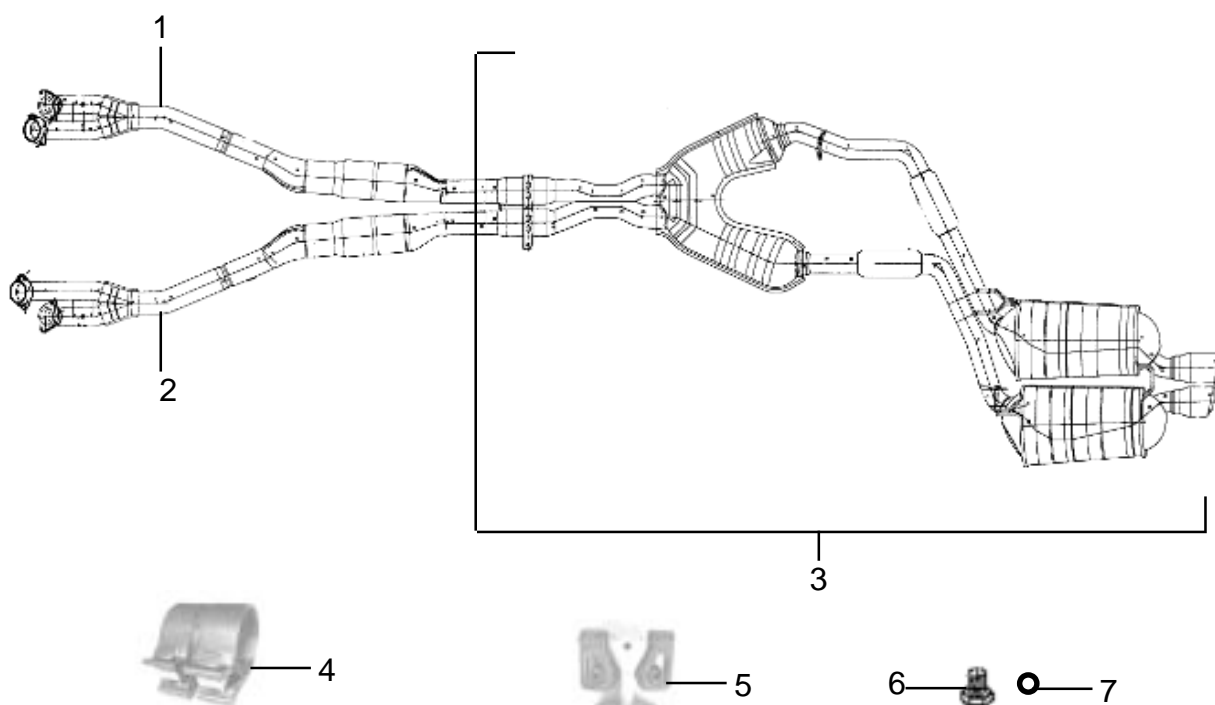
BMW/ALPINA B10 V8;
B10 V8 touring

exhaust system

as of
10/01

sheet
1

group
18 10



P O S	expression	part number	B10	B10	RL		R E M
			V8 L	V8 T			
1	exhaust tube catalyst right side	18 10 816	1	1			
2	exhaust tube catalyst left side	18 10 815	1	1			
3	silencer	18 10 820	1				
3	silencer	18 10 835		1			
4	doubleclamp (repair kit)	18 10 825	2	2			AE
4	doubleclamp (repair kit)	18 10 1 406 666	2	2			
5	rubber mount	18 21 1 745 350	1	1			
6	screw plug M18x1,5	18 10 009	2	2			a
7	gasket ringCU 18x24	06 01 009	2	2			a

a with chassis-no.: AF30 ... / BF30 ...



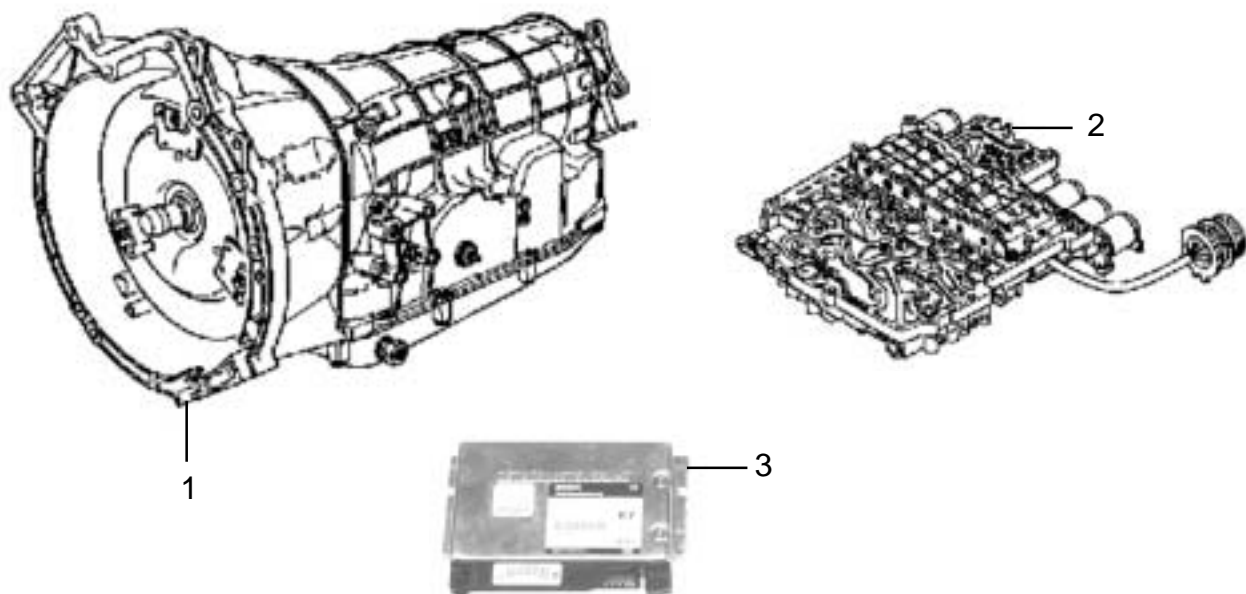
BMW/ALPINA B10 V8;
B10 V8 touring

automatic gearbox

as of
10/01

sheet
1

group
24 10



P O S	expression	part number	B10	B10	RL		R E M
			V8 L	V8 T			
1	replacement gearbox with torque converter	24 10 613T	1	1			c
1	replacement gearbox with torque converter	24 10 619T	1	1			d
2	hydraulic block	24 10 612	1	1			c
3	AGS-control unit	24 10 611	1				a,b
3	AGS-control unit	24 10 615	1	1			a,e
3	AGS-control unit	24 10 632	1	1		U.A.E	AE
3	AGS-control unit	24 10 621	1	1			a,d
a	when ordering please indicate chassis number!		d	from chas.-no.: HF40../JF40..			
b	up to 09/1997		e	from 09/1997 on			
c	with chassis-no.: AF30.../BF30...						



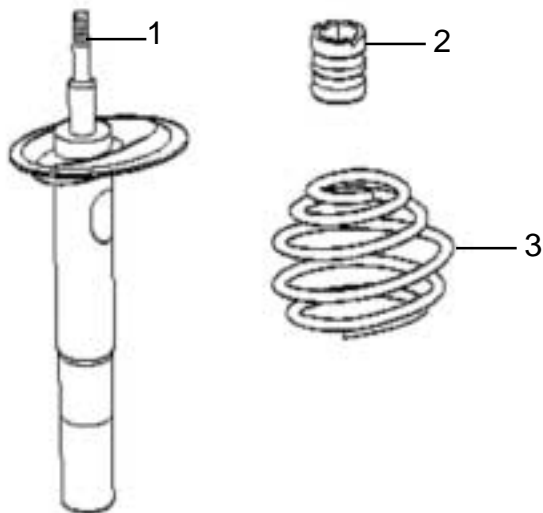
BMW/ALPINA B10 V8;
B10 V8 touring

front suspension

as of
10/01

sheet
1

group
31 00



P O S	expression	part number	B10 V8 L	B10 V8 T	RL		R E M
1	suspension unit	31 31 649	2	2		*	AE
1	suspension unit	31 31 652	2	2		*	AE
1	suspension unit	31 31 653	2	2		*	AE
1	suspension unit	31 31 657	2	2		*	
2	additional spring	31 33 1 138 814	2	2			
3	spring	31 33 631	2	2			a
3	spring	31 33 632	2	2			a
	* only in combination with spring washer	31 33 1 096 664	2	2			

a depends on car, please indicate chassis number!



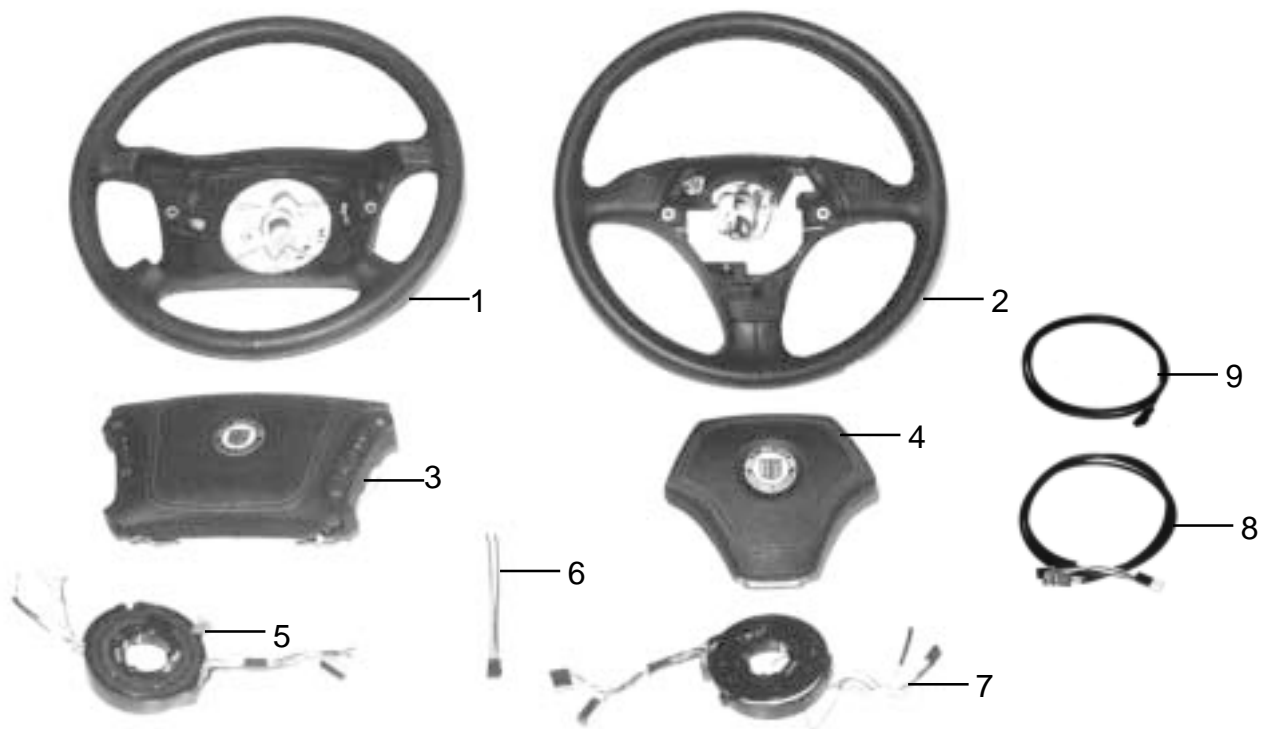
BMW/ALPINA B10 V8;
B10 V8 touring

airbag steering-wheel

as of
10/01

sheet
1

group
32 33



P O S	expression	part number	B10 V8 L	B10 V8 T	RL		R E M
1	leather steering-wheel rim 4-spokes	32 33 063	1	1			
1	leather steering-wheel rim 4-spokes	32 33 077	1	1			c
1	leather steering-wheel rim 4-spokes	32 33 091	1	1		from 03/1999	
1	leather steering-wheel rim 4-spokes	32 33 098	1	1		from 03/1999	c
1	leather steering-wheel rim 4-spokes	32 33 142	1	1		from 09/2001	
1	leather steering-wheel rim 4-spokes	32 33 144	1	1		from 09/2001	c
2	leather steering-wheel rim 3-spokes	32 33 048	1	1			bd
3	airbag 4-spokes	32 33 066	1	1			a
3	airbag 4-spokes	32 33 078	1	1			ac
3	airbag 4-spokes	32 33 089	1	1		from 03/1999	ac
3	airbag 4-spokes	32 33 146	1	1		from 09/2001	a
3	airbag 4-spokes	32 33 148	1	1		from 09/2001	ac
4	airbag 3-spokes	32 33 062	1	1			bd
5	slip ring 7-pins	32 34 1 094 262	1	1			
6	contact pin	32 31 1 091 732	1	1			
7	slip ring 7-pins	32 34 1 161 912	1	1			bd
8	cable SWITCH-TRONIC/STEPTR.	61 11 124	1	1			
9	cable for 3-spokes steering wheel	61 11 109	1	1			bd
a	without switches	c	Italy				
b	without multifunction!	d	Japan				



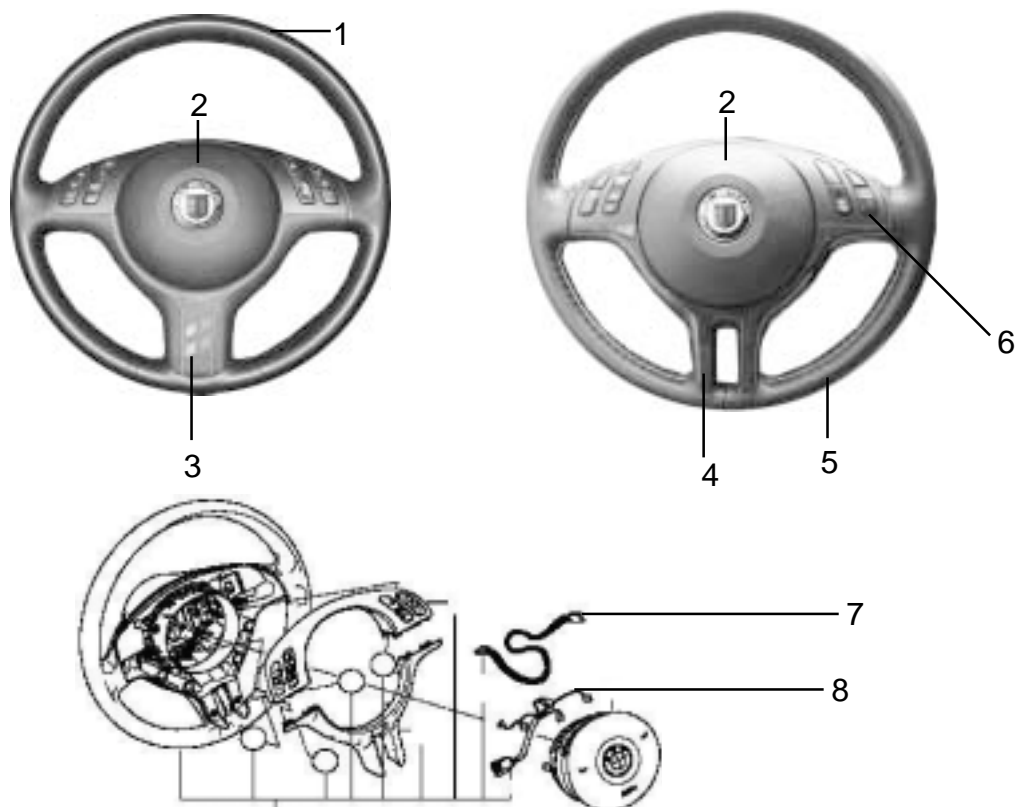
BMW/ALPINA B10 V8;
B10 V8 touring

airbag steering-wheel

as of
10/01

sheet
2

group
32 33



P O S	expression	part number	B10 V8 L	B10 V8 T	RL	R E M
1	leather steering-wheel rim 3-spokes	32 33 120	1	1		
1	leather steering-wheel rim 3-spokes	32 33 129	1	1		a
2	airbag 3-spokes	32 33 094	1	1		
3	cover for steering-wheel 3-spokes	32 33 123	1	1		
4	cover ALPINA-noble wood for dubblespoke	32 33 124	1	1		
4	cover plastic for dubblespoke	BMW ETK				
5	leather steering-wheel for noble wood cover	32 33 122	1	1		
5	leather steering-wheel for noble wood cover	32 33 131	1	1		a
5	leather steering-wheel for plastic cover	32 33 097	1	1		
5	leather steering-wheel for plastic cover	32 33 127	1	1		a
6	cover multifunktion	61 31 6 904 467	1	1		
6	cover without multifunktion	61 31 8 383 366	1	1		
7	wire steering wheel (multifunktion)	61 31 8 386 947	1	1		
8	wire airbag	32 30 1 097 246	1	1		

a Italy



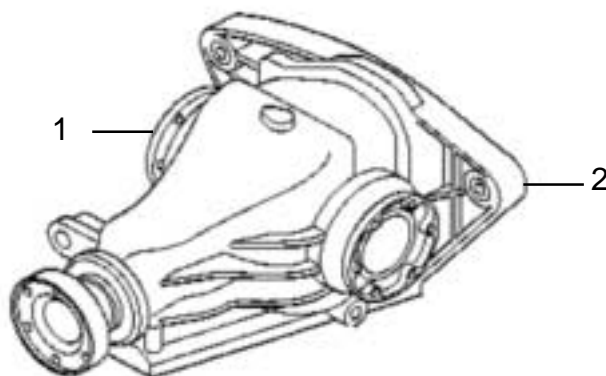
BMW/ALPINA B10 V8;
B10 V8 touring

rear axle

as of
10/01

sheet
1

group
33 10



P O S	expression	part number	B10	B10	RL		R E M
			V8 L	V8 T			
1	replacement rear axle i=3,15	33 10 1 428 519	1	1			a
2	driving flange	33 13 1 428 284	2	2			a
3	dust protection cover (not on the picture!)	33 13 1 214 446	2	2			a
ATTENTION: take the driving flanges (bolt hole circle diameter $\varnothing=94\text{mm}$; art. FL107) and the dust protection cover of the old rear axle!							
1	replacement rear axle i=3,08	33 10 148	1	1			b
2	driving flange	33 13 1 428 285	2	2			b
3	dust protection cover (not on the picture!)	33 13 1 214 445	2	2			b
a	for RA i=3,15; with chassis-no.: AF30 ... / BF30 ...						
b	RA i=3,08; FL 116; from chassis-no...on.: HF40 ... / JF40 ...						



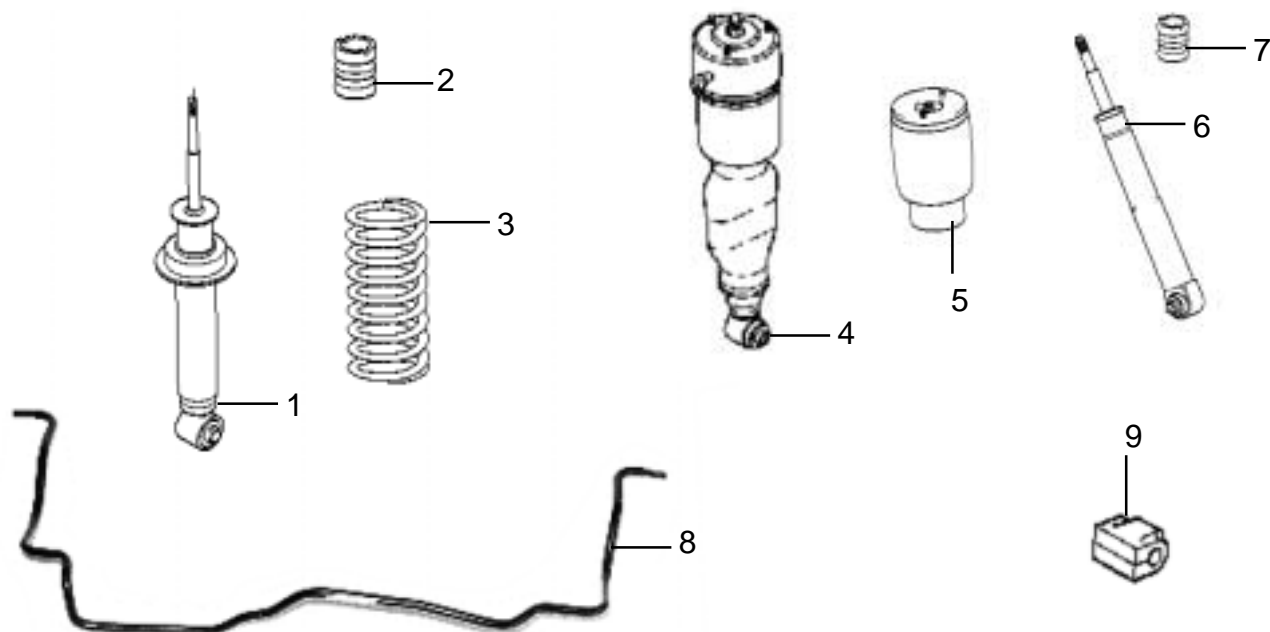
BMW/ALPINA B10 V8;
B10 V8 touring

rear suspension

as of
10/01

sheet
1

group
33 52



P O S	expression	part number	B10 V8 L	B10 V8 T	RL		R E M
1	damper	33 52 639	2				
2	additional spring	33 53 1 093 094	2				
2	additional spring	33 53 1 094 065		2			
3	spring	33 53 625	2				a
3	spring	33 53 626	2				a
4	air suspension (ride-height controller)	33 52 642	2				
5	pneumatic spring left	37 12 1 095 081		1			
5	pneumatic spring right	37 12 1 095 082		1			
6	shock absorber	33 52 641		2			
7	additional spring	33 53 1 094 065		2			
8	stabilizer bar rear d=15mm	33 53 1 093 816	1				
9	stabilizer rubber mounting d=15mm	33 55 1 093 795	2				

a depends on car, please indicate chassis number!



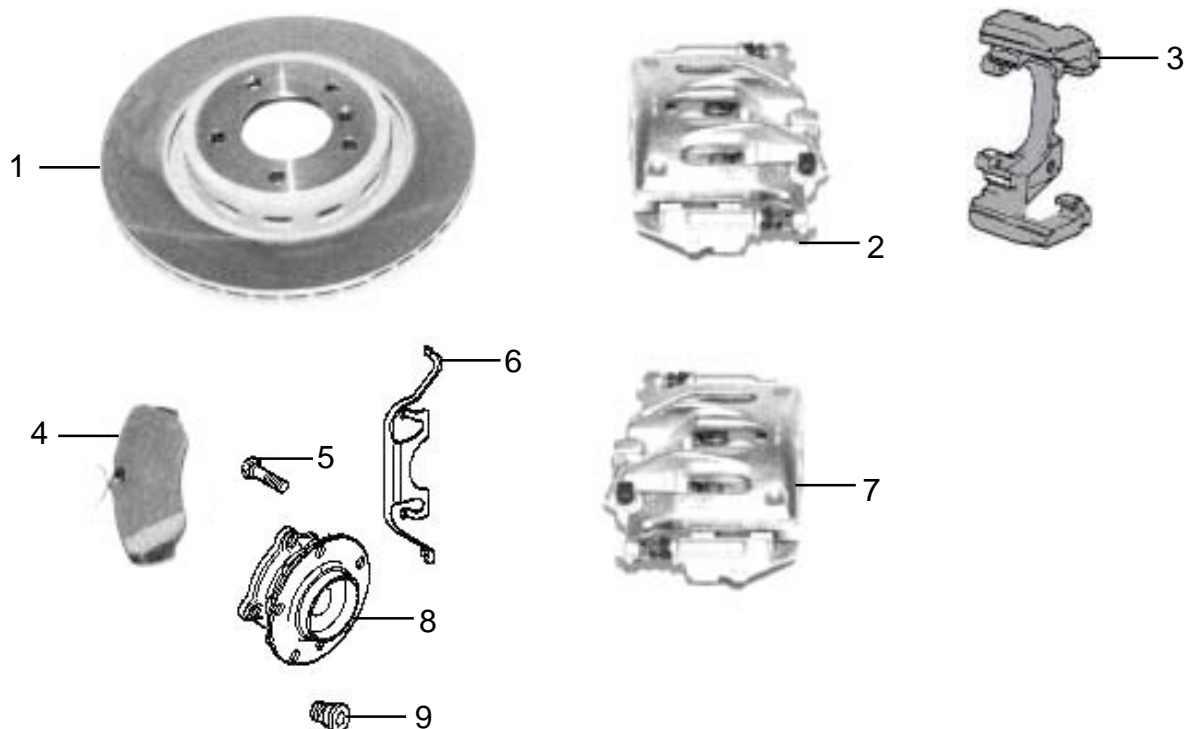
BMW/ALPINA B10 V8;
B10 V8 touring

reinforced brake system

as of
10/01

sheet
1

group
34 11



P O S	expression	part number	B10 V8 L	B10 V8 T	RL		R E M
1	brake disc	34 11 2 228 845	1	1			a
1	brake disc	34 11 2 228 846	1	1			a
2	brake caliper	34 11 2 229 381	1	1			a
3	brake carrier	34 11 2 229 383	1	1			a
3	brake carrier	34 11 2 229 384	1	1			a
4	brake pads	34 11 2 229 031	1	1			a
5	screw	31 12 1 093 843	8	8			a
6	fastening spring	34 11 2 229 753	2	2			a
7	brake caliper	34 11 2 229 382	1	1			a
8	wheel hub	31 22 2 229 360	2	2			a
9	screw	34 11 1 123 072	4	4			a

a optional



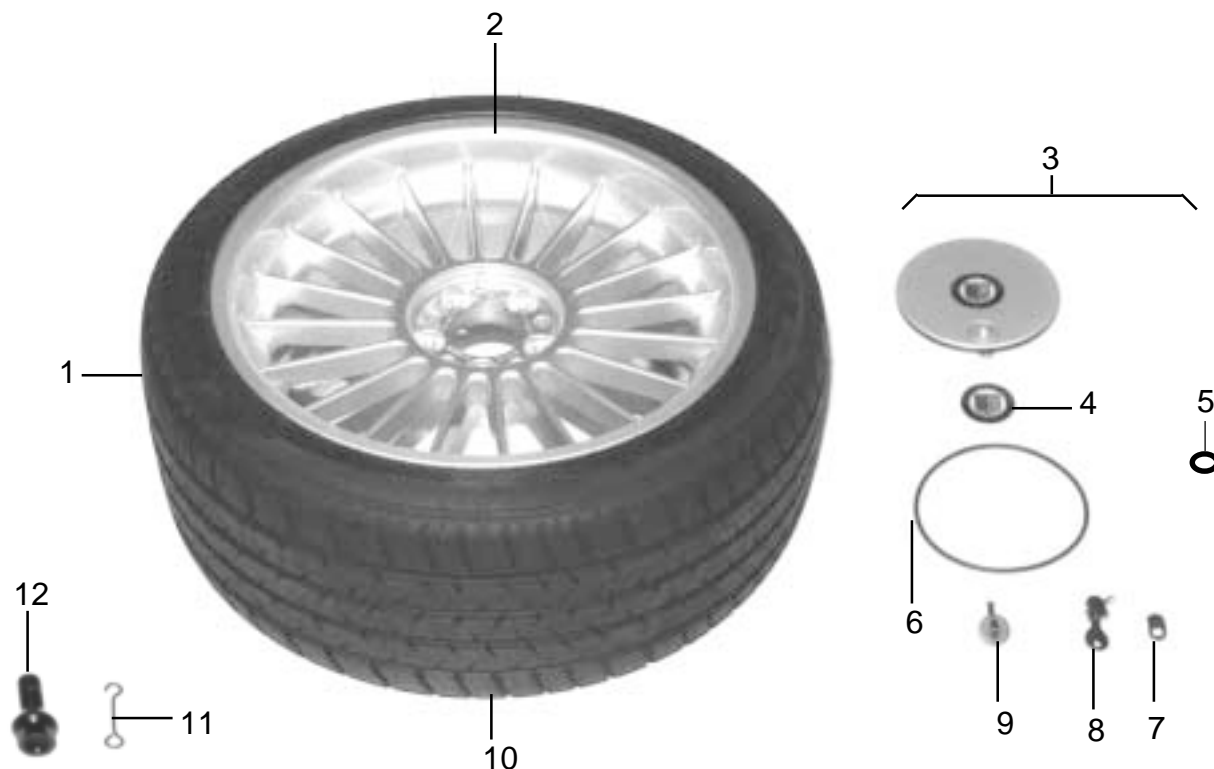
BMW/ALPINA B10 V8;
B10 V8 touring

alloy wheels (single piece)

as of
10/01

sheet
1

group
36 11



P O S	expression	part number	B10 V8 L	B10 V8 T	RL		R E M
1	alloy wheel 8 x 18" mit 235/40 ZR 18 Pilot	36 12 551	3	2			
1	alloy wheel 9 x 18" mit 265/35 ZR 18 Pilot	36 12 552	2	2			
1	alloy wheel 8 x 18" mit 235/40 ZR 18 Pilot	36 12 563	1	1		FL	a
1	alloy wheel 8 x 18" mit 235/40 ZR 18 Pilot	36 12 564	2	1		FR	a
1	alloy wheel 9 x 18" mit 265/35 ZR 18 Pilot	36 12 565	1	1		RL	a
1	alloy wheel 9 x 18" mit 265/35 ZR 18 Pilot	36 12 566	1	1		RR	a
2	light alloy rim 8 x 18"	36 11 678	3	2			
2	light alloy rim 9 x 18"	36 11 679	2	2			
3	die-casting cover cpl.	36 10 054	4	4			
4	emblem	36 13 005	4	4			
5	O-ring 22 x 1,5	36 13 115	4	4			
6	O-ring 145 x 5	36 13 610	4	4			
7	striker arm	36 13 110	4	4			
8	lock with key	36 13 112	4	4			
9	covering cap	36 13 613	4	4			
10	tyre Michelin Pilot 235/40 ZR 18	36 12 187	3	2			
10	tyre Michelin Pilot 265/35 ZR 18	36 12 188	2	2			
10	tyre Michelin Pilot 235/40 ZR 18	36 12 191	3	2			a
10	tyre Michelin Pilot 265/35 ZR 18	36 12 192	2	2			a
11	pull-off hook	36 13 011	4	4			
12	wheel screw	36 13 1 126 014	20	20			

a ATTENTION: directional tyre!



BMW/ALPINA B10 V8;
B10 V8 touring

alloy wheels (single piece)

as of
10/01

sheet
2

group
36 11



P O S	expression	part number	B10 V8 L	B10 V8 T	RL		R E M
1	alloy wheel 8 x 18" with 235/40 ZR 18 Pilot	36 12 567	1	1		FL; RDC	a
1	alloy wheel 8 x 18" with 235/40 ZR 18 Pilot	36 12 568	2	1		FR; RDC	a
1	alloy wheel 9 x 18" with 265/35 ZR 18 Pilot	36 12 569	1	1		RL; RDC	a
1	alloy wheel 9 x 18" with 265/35 ZR 18 Pilot	36 12 570	1	1		RR; RDC	a
1	alloy wheel 8 x 18" with 235/40 ZR 18 Pilot	36 12 611	1	1		FL; RDC	a,b
1	alloy wheel 8 x 18" with 235/40 ZR 18 Pilot	36 12 612	2	1		FR; RDC	a,b
1	alloy wheel 9 x 18" with 265/35 ZR 18 Pilot	36 12 613	1	1		RL; RDC	a,b
1	alloy wheel 9 x 18" with 265/35 ZR 18 Pilot	36 12 614	1	1		RR; RDC	a,b
2	module RDC ECE 433MHZ	36 11 8 378 682	5	4			c
2	module RDC ECE 433MHZ	36 14 6 752 128	5	4			c
2	module RDC Japan 315MHZ	36 11 8 378 681	5	4			b
3	locating ball RDC Sensor	36 10 062	5	4			
4	screw M5x25 micro encapsulated	36 10 063	4	4			
a	ATTENTION: directional tyre!		b		Japan		
c	Attention: only mount 5 RDC-modules with the same part number!						



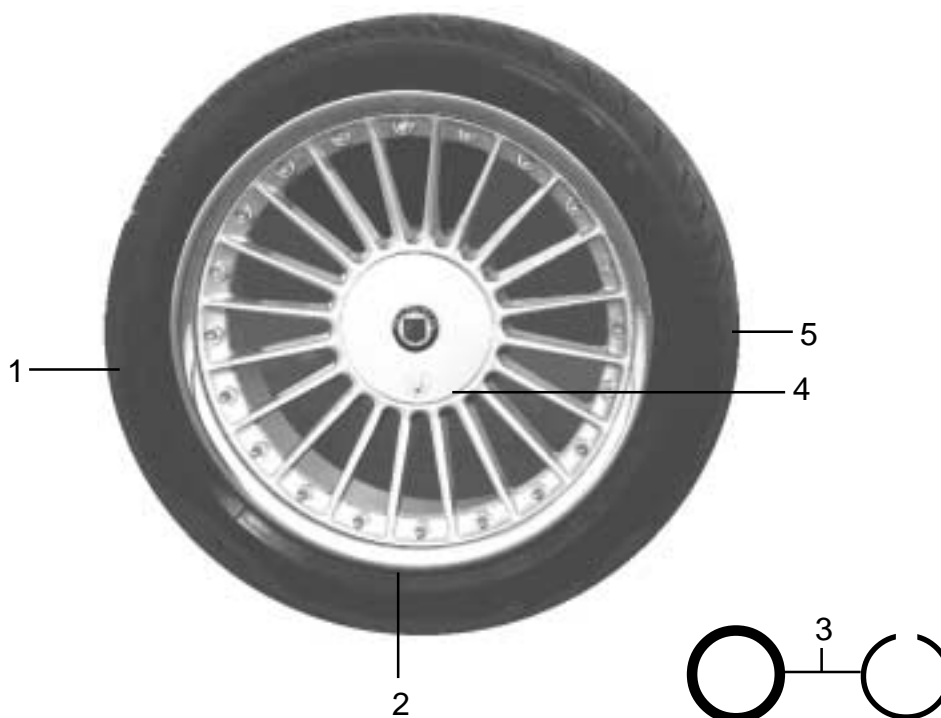
BMW/ALPINA B10 V8;
B10 V8 touring

alloy wheels (two pieces)

as of
10/01

sheet
3

group
36 11



P O S	expression	part number	B10 V8 L	B10 V8 T	RL		R E M
1	alloy wheel 8 x 18" mit 235/40 ZR 18 Pilot	36 12 555	3	2			
1	alloy wheel 9 x 18" mit 265/35 ZR 18 Pilot	36 12 556	2	2			
1	alloy wheel 8 x 18" mit 235/40 ZR 18 Pilot	36 12 587	1	1		FL	a
1	alloy wheel 8 x 18" mit 235/40 ZR 18 Pilot	36 12 588	2	1		FR	a
1	alloy wheel 9 x 18" mit 265/35 ZR 18 Pilot	36 12 589	1	1		RL	a
1	alloy wheel 9 x 18" mit 265/35 ZR 18 Pilot	36 12 590	1	1		RR	a
2	light alloy rim 8 x 18"	36 11 688	2	2			
2	light alloy rim 9 x 18"	36 11 689	2	2			
3	set of code and centering rings türkis	36 10 060	1	1			
4	die-casting cover: sheet 1						
5	tyre: sheet 1						

a ATTENTION: directional tyre!



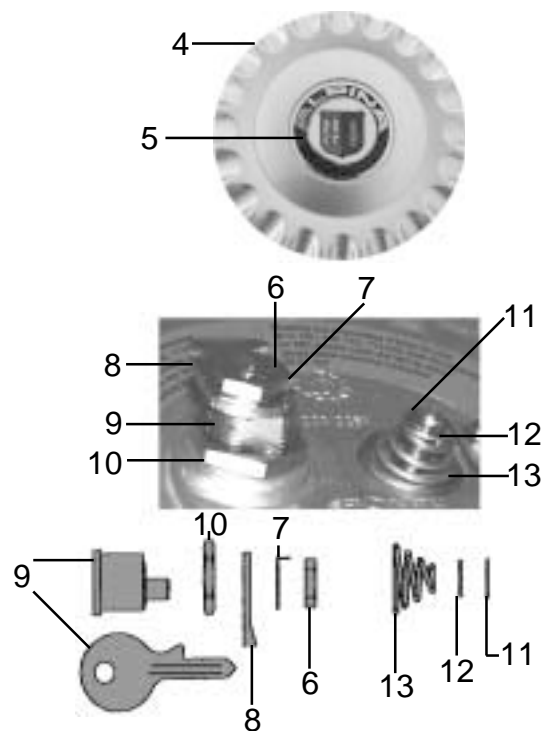
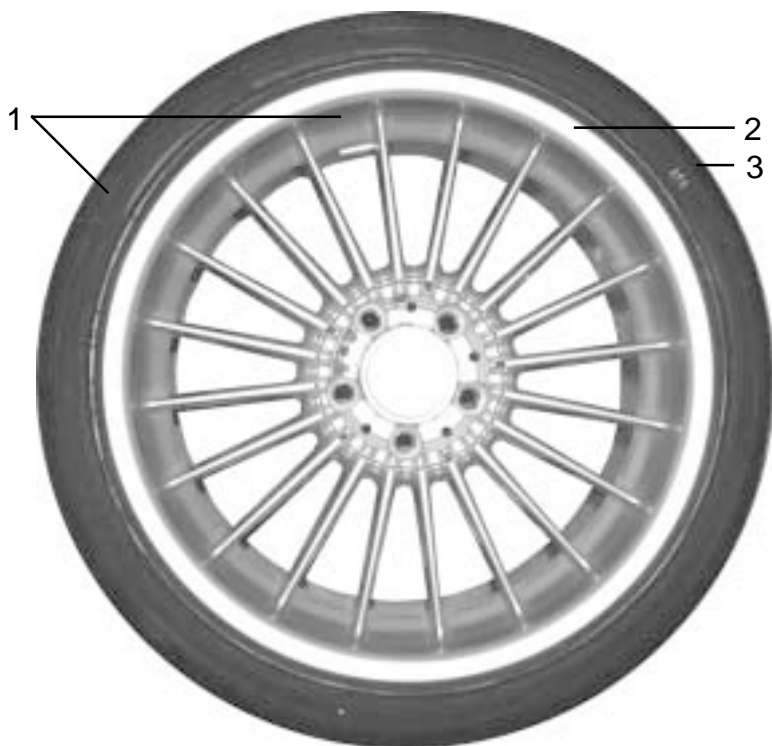
BMW/ALPINA B10 V8;
B10 V8 touring

alloy wheels

as of
10/01

sheet
4

group
36 11



P O S	expression	part number	B10 V8 L	B10 V8 T	RL		R E M
1	alloy wheel 8,5 x 19" with 245/35 ZR 19 Pilot	36 12 629	1	1		FL	a
1	alloy wheel 8,5 x 19" with 245/35 ZR 19 Pilot	36 12 630	2	2		FR	a
1	alloy wheel 9,5 x 19" with 275/30 ZR 19 Pilot	36 12 631	1	1		RL	a
1	alloy wheel 9,5 x 19" with 275/30 ZR 19 Pilot	36 12 632	1	1		RR	a
1	alloy wheel 8,5 x 19" with 245/35 ZR 19 Pilot	36 12 633	1	1		FL, RDC	a,b
1	alloy wheel 8,5 x 19" with 245/35 ZR 19 Pilot	36 12 634	2	2		FR, RDC	a,b
1	alloy wheel 9,5 x 19" with 275/30 ZR 19 Pilot	36 12 635	1	1		RL, RDC	a,b
1	alloy wheel 9,5 x 19" with 275/30 ZR 19 Pilot	36 12 636	1	1		RR, RDC	a,b
2	light alloy rim 8,5 x 19"	36 11 713	3	3			
2	light alloy rim 9,5 x 19"	36 11 714	2	2			
3	Michelin Pilot Sport 245/35 ZR 19	36 12 227	3	3			
3	Michelin Pilot Sport 275/30 ZR 19	36 12 228	2	2			
4	cover II complete	36 10 064	4	4			
5	ALPINA-emblem with carrier and pin	36 13 117	4	4			
6	nut SW12	36 13 123	4	4			
7	securing plate	36 13 122	4	4			
8	closing arm	36 13 120	4	4			
9	set of locks	36 13 119	1	1			
10	nut SW19	36 13 121	4	4			
11	securing washer DIN 6799 D4 VA	36 13 125	4	4			
12	washer A5 DIN 125 VA	07 33 008	4	4			
13	spring emblemcarrier	36 13 124	4	4			

a ATTENTION: directional tyre!

b RDC 433 MHz!

Attention: spare wheel touring: 36 11 1 093 521 BMW 16" Styling 32!



BMW/ALPINA B10 V8;
B10 V8 touring

spoiler

as of
10/01

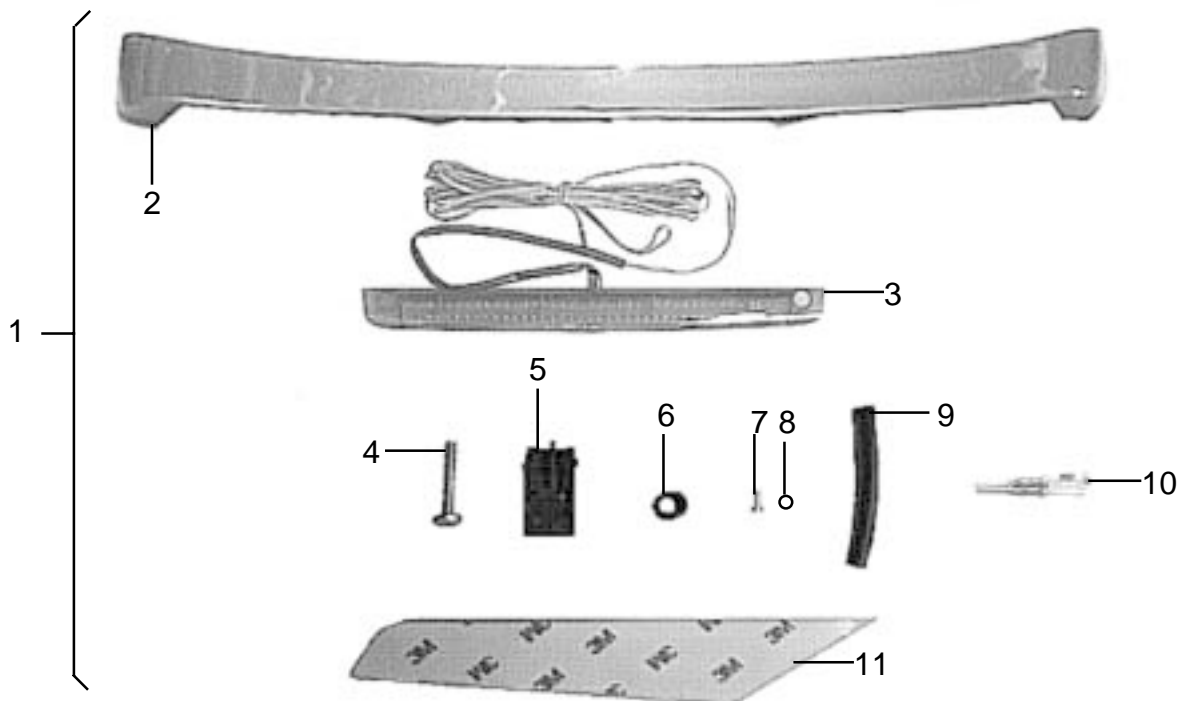
sheet
1

group
41 00



P O S	expression	part number	B10 V8 L	B10 V8 T	RL		R E M
1	front spoiler type 698	41 00 699	1	1			
1	front spoiler type 708	41 00 709	1	1			a

a from 09/2000 on



P O S	expression	part number	B10 V8 L	B10 V8 T	RL		R E M
1	set of rear wing type 700	41 00 701	1				AE
1	set of rear wing type 705	41 00 701	1				
2	rear wing type 700	41 00 700	1				AE
2	rear wing type 705	41 00 705	1				
3	brake light	63 23 101	1				
4	self cutting oval head screw M5x30	07 22 031	4				a
4	cheese-head screw M5x16 DIN 6912	07 14 019	4				
5	pin housing 2-polig	61 10 101	1				
6	rubber protecting sleeve	61 10 175	1				
7	cheese-head screw M5x10 DIN 912	07 13 007	2				
8	washer A5 DIN 125	07 33 003	2				
9	shrink-down plastic tubing	61 10 108	1				
10	pin	61 10 103	2				
11	cover left	41 00 703	1				
11	cover right	41 00 704	1				

a only for rear wing 41 00 700!



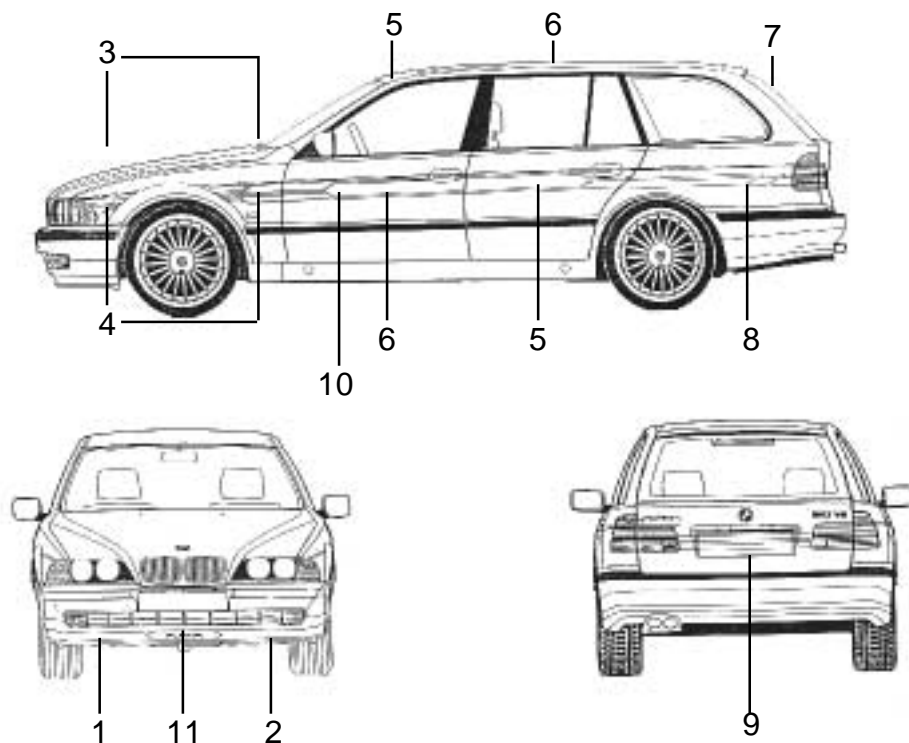
BMW/ALPINA B10 V8;
B10 V8 touring

deko-set

as of
10/01

sheet
3

group
41 00



P O S	expression	part number	B10 V8 L	B10 V8 T	RL		R E M
1	rhomb front spoiler right gold	41 00 278	1	1		up to 09/2000	
1	rhomb front spoiler right silver	41 00 280	1	1		up to 09/2000	
1	rhomb front spoiler right gold	41 00 310	1	1		from 09/2000	
1	rhomb front spoiler right silver	41 00 312	1	1		from 09/2000	
2	rhomb front spoiler left gold	41 00 279	1	1		up to 09/2000	
2	rhomb front spoiler left silver	41 00 281	1	1		up to 09/2000	
2	rhomb front spoiler left gold	41 00 311	1	1		from 09/2000	
2	rhomb front spoiler left silver	41 00 313	1	1		from 09/2000	
3	rhomb right front gold	41 00 246	1	1			
3	rhomb right front silver	41 00 252	1	1			
4	rhomb left front gold	41 00 247	1	1			
4	rhomb left front silver	41 00 253	1	1			
5	rhomb door FR+RL gold	41 00 248	2	2			
5	rhomb door FR+RL silver	41 00 254	2	2			
6	rhomb door FL+RR gold	41 00 249	2	2			
6	rhomb door FL+RR silver	41 00 255	2	2			
7	rhomb right rear gold	41 00 250	1	1			
7	rhomb right rear silver	41 00 256	1	1			
8	rhomb left rear gold	41 00 251	1	1			
8	rhomb left rear silver	41 00 257	1	1			



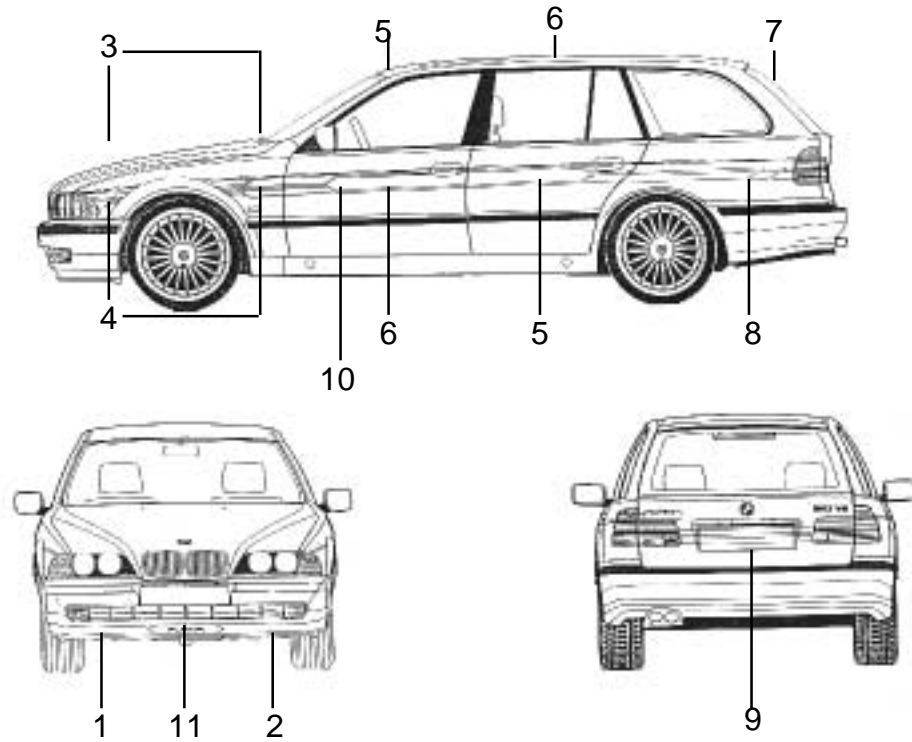
BMW/ALPINA B10 V8;
B10 V8 touring

deko-set

as of
10/01

sheet
4

group
41 00



P O S	expression	part number	B10 V8 L	B10 V8 T	RL		R E M
9	deko-set back gold	41 00 262	1	1			
9	deko-set back silver	41 00 263	1	1			
10	ALPINA-sign 132mm gold	51 00 064	2	2			
10	ALPINA-sign 132mm silver	51 00 065	2	2			
11	ALPINA-sign 360mm gold	51 00 224	1	1			
11	ALPINA-sign 360mm silver	51 00 225	1	1			



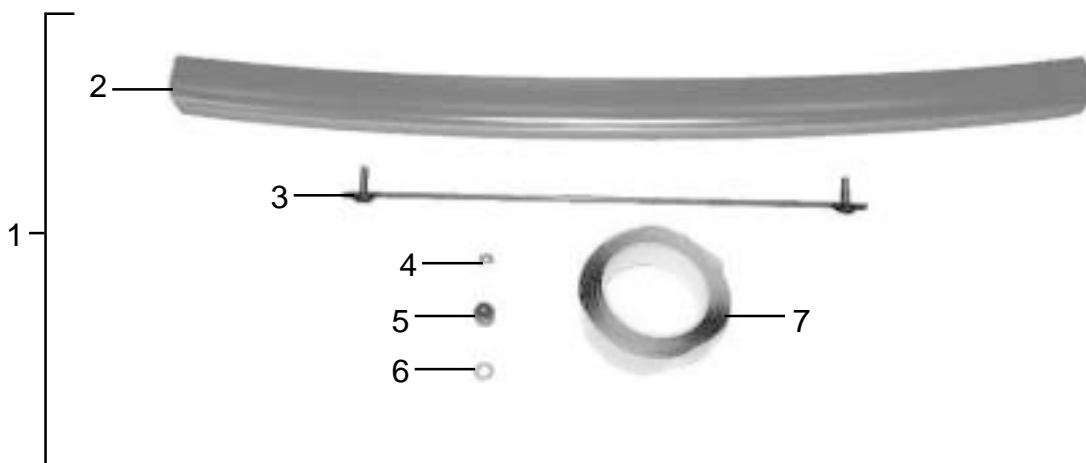
BMW/ALPINA B10 V8;
B10 V8 touring

rear apron

as of
10/01

sheet
5

group
41 00



P O S	expression	part number	B10 V8 L	B10 V8 T	RL	R E M
1	set of rear apron	51 00 699		1		
1	set of rear apron	51 00 720		1		b
2	rear apron	51 00 698		1		AE
2	rear apron	51 00 718		1		a
2	rear apron	51 00 719		1		b
3	mounting	51 00 707		2		
4	hex nut M6 DIN 985 VA	07 28 013		4		
5	inner liner	46 62 1 453 668		4		
6	plain washer 6,4 V2A DIN 125	11 62 015		4		
7	butyl rope	81 22 9 407 639		1		
a	up to 8/2000					
b	from 9/2000					



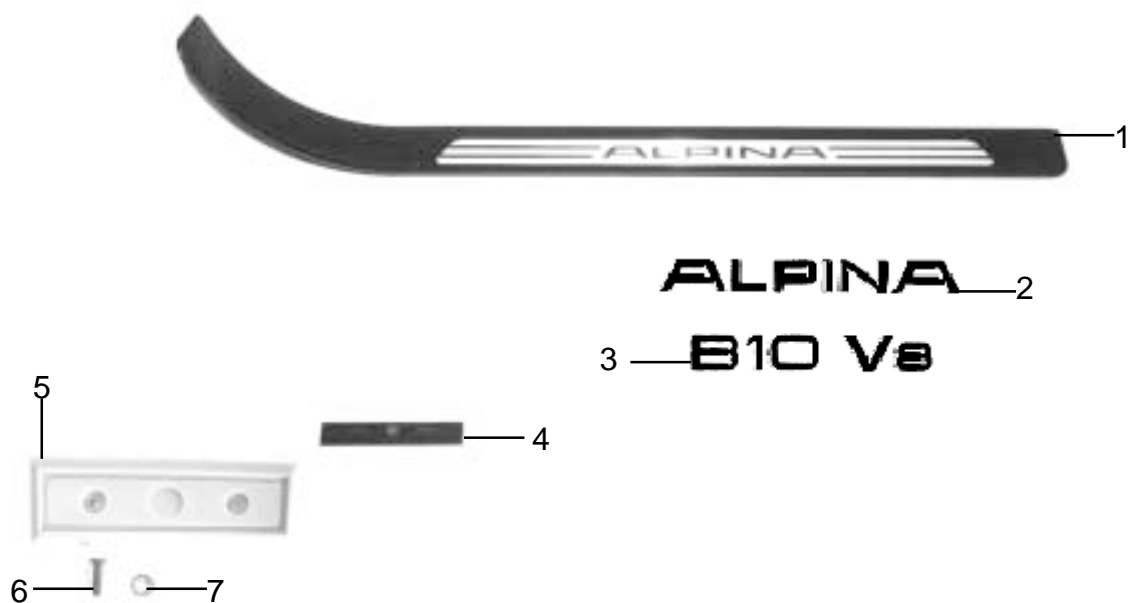
BMW/ALPINA B10 V8;
B10 V8 touring

signs -
door sill cover

as of
10/01

sheet
1

group
51 00



P O S	expression	part number	B10 V8 L	B10 V8 T	RL		R E M
1	door sill cover FL	51 47 611	1	1			
1	door sill cover FR	51 47 612	1	1			
1	door sill cover RL	51 47 613	1	1			
1	door sill cover RR	51 47 614	1	1			
2	Alpina sign chrome	51 00 246	1	1			
3	sign B10 V8 chrome	51 00 254	1	1			
4	production plate	76 00 083	1				
4	production plate	76 00 085		1			
5	production plate carrier grey	51 00 688	1	1			a
6	rivet (only head part)	51 71 1 936 929	2	2			
7	spring clip	51 00 706	2	2			

a for other colours please contact us!



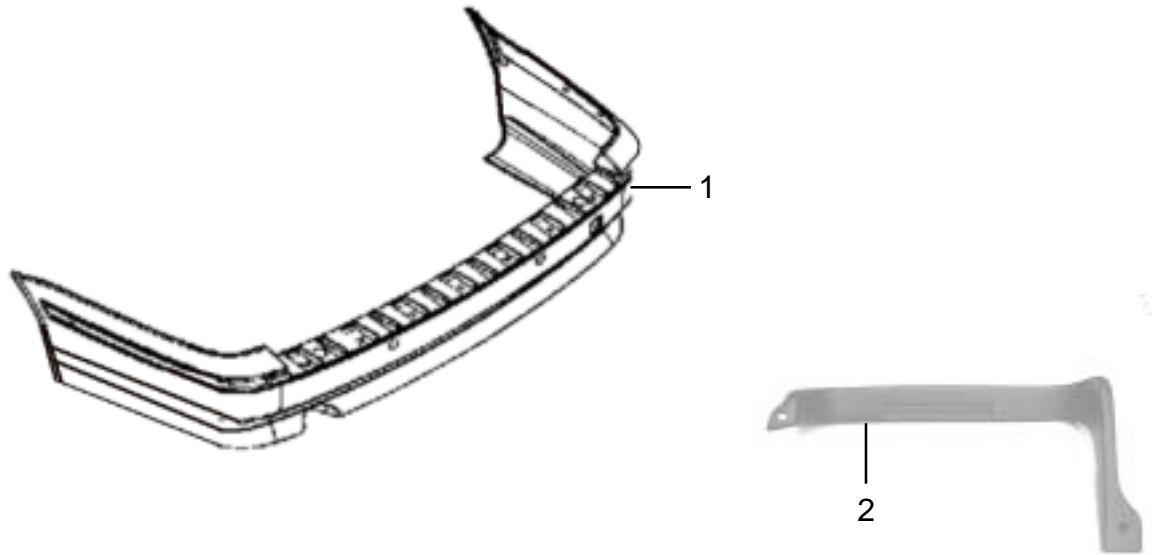
BMW/ALPINA B10 V8;
B10 V8 touring

rear apron

as of
10/01

sheet
2

group
51 00



P O S	expression	part number	B10 V8 L	B10 V8 T	RL		R E M
1	rear apron	51 00 683	1				
1	rear apron without PDC	51 00 685		1			
1	rear apron with PDC	51 00 686		1			
2	tailpipe trim for rear apron	51 00 682	1				
2	tailpipe trim for rear apron	51 00 684		1			



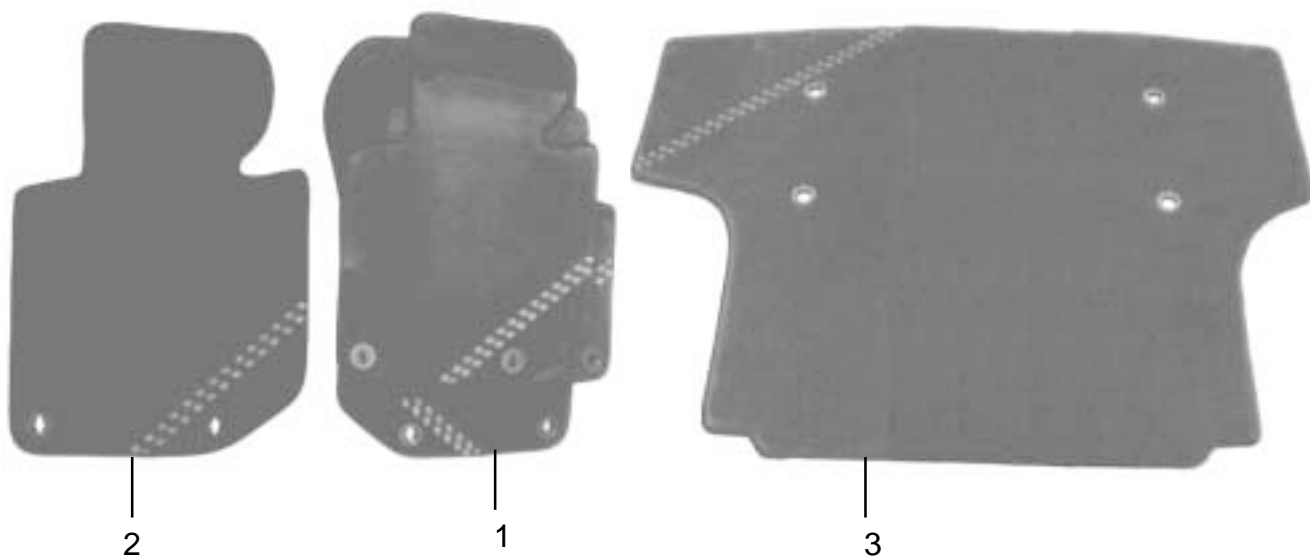
BMW/ALPINA B10 V8;
B10 V8 touring

floor mats

as of
10/01

sheet
1

group
51 43



P O S	expression	part number	B10 V8 L	B10 V8 T	RL		R E M	
1	set of floormats	51 43 620	1	1			a,b	
1	set of floormats	51 43 622	1	1	x		a,b	
1	set of floormats	51 43 632	1	1			a,c	
1	set of floormats	51 43 642	1	1		from 3/00 on	a,b	
1	set of floormats	51 43 644	1	1	x	from 3/00 on	a,b	
1	set of floormats	51 43 646	1	1		from 3/00 on	a,c	
2	floormat driver	51 43 621	1	1			a	
2	floormat driver	51 43 623	1	1	x		a	
2	floormat driver	51 43 643	1	1		from 3/00 on	a	
2	floormat driver	51 43 645	1	1	x	from 3/00 on	a	
3	boot mat (without pull out loading floor)	51 43 631		1				
3	boot mat (with pull out loading floor)	51 43 633		1				
3	boot mat	51 43 637	1					
a	please indicate colour when ordering!							
b	not for cars with latent-heat accumulator!							
c	only for cars with latent-heat accumulator!							



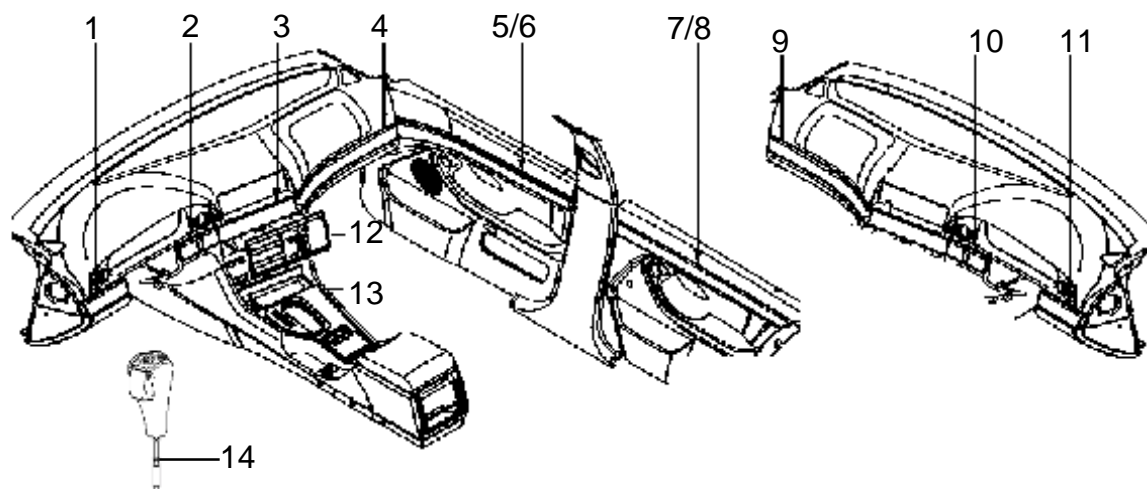
BMW/ALPINA B10 V8;
B10 V8 touring

noble wood

as of
10/01

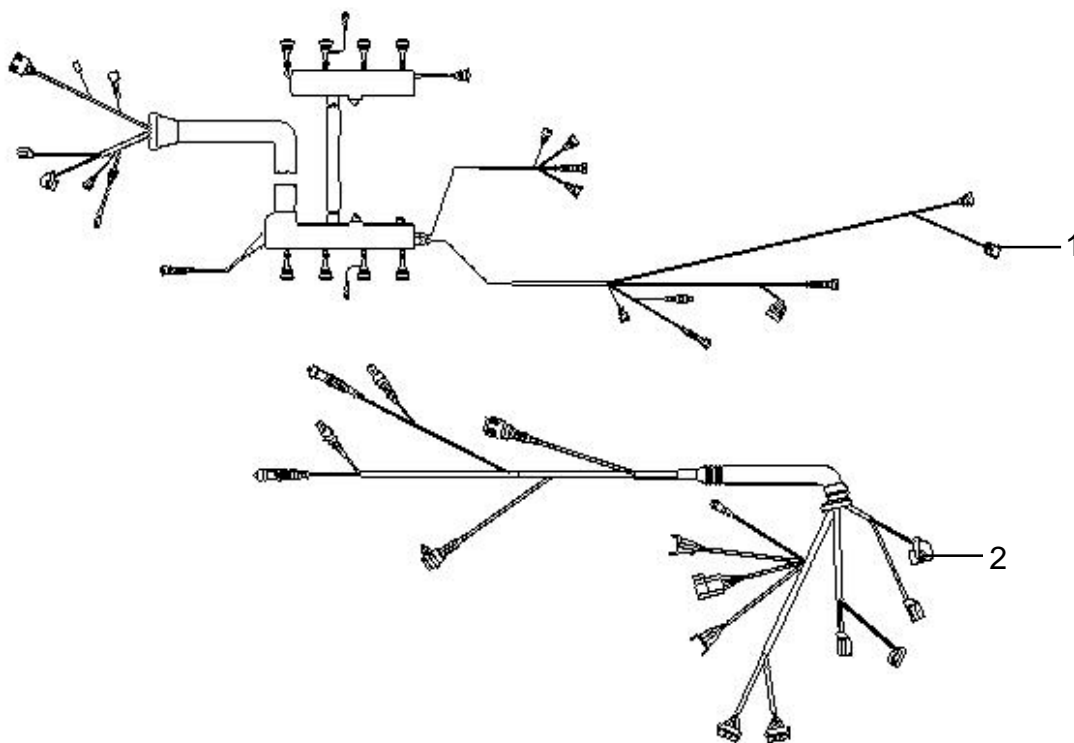
sheet
2

group
51 43



P O S	expression	part number	B10 V8 L	B10 V8 T	RL		R E M
1	cover left outside	51 43 747	1	1			
2	cover left middle	51 43 748	1	1			
2	cover left middle with GSR; RDC	51 43 760	1	1			
3	cover radio	51 43 749	1	1			
4	cover glove box right	51 43 750	1	1			
5	cover door FL	51 43 751	1	1			
6	cover door FR	51 43 752	1	1			
7	cover door RL	51 43 753	1	1			
8	cover door RR	51 43 754	1	1			
9	cover glove box left	51 43 758	1	1	x		
10	cover right middle	51 43 757	1	1	x		
10	cover right middle with GSR; RDC	51 43 761	1	1	x		
11	cover right outside	51 43 756	1	1	x		
12	cover monitor	51 43 755	1	1			a
12	cover monitor	51 43 759	1	1	x		a
13	shelf	51 00 673	1	1			
13	shelf	51 00 691	1	1	x		
14	wood for gear-shift lever knob	51 00 678	1	1			

a up to 09/2000



P O S	expression	part number	B10 V8 L	B10 V8 T	RL		R E M
1	engine wiring	61 11 144	1	1	x		a
1	engine wiring	61 11 156	1	1	x		b
1	engine wiring	61 11 163	1	1	x		c
1	engine wiring peripheriemodul	61 11 153	1	1			d
a	09/1998 - 09/1999		c	03/2000 -			
b	09/1999 - 03/2000		d	from 09/1999			



BMW/ALPINA B10 V8;
B10 V8 touring

instrument panel

as of
10/01

sheet
1

group
62 10



P O S	expression	part number	B10 V8 L	B10 V8 T	RL		R E M
1	instrument panel	62 10 705	1	1		up to 09/1997	AEa
1	instrument panel	62 10 706	1	1		from 09/1997	a
1	instrument panel	62 10 707	1	1	x	from 09/1997	a
1	instrument panel	62 10 709	1	1			AEb
1	instrument panel	62 10 710	1	1	x		AEb
1	instrument panel	62 10 716	1	1			AEb
1	instrument panel	62 10 717	1	1	x		AEb
1	instrument panel	62 10 713	1	1			AEb
1	instrument panel	62 10 714	1	1	x		AEb
1	instrument panel	62 10 720	1	1			AEb
1	instrument panel	62 10 721	1	1	x		AEb
1	instrument panel	62 10 724	1	1			b
1	instrument panel	62 10 725	1	1	x		b
a	with chassis-no.: AF30 ... / BF30 ...						
b	from chassis-no....on.: HF40 ... / JF40 ...						



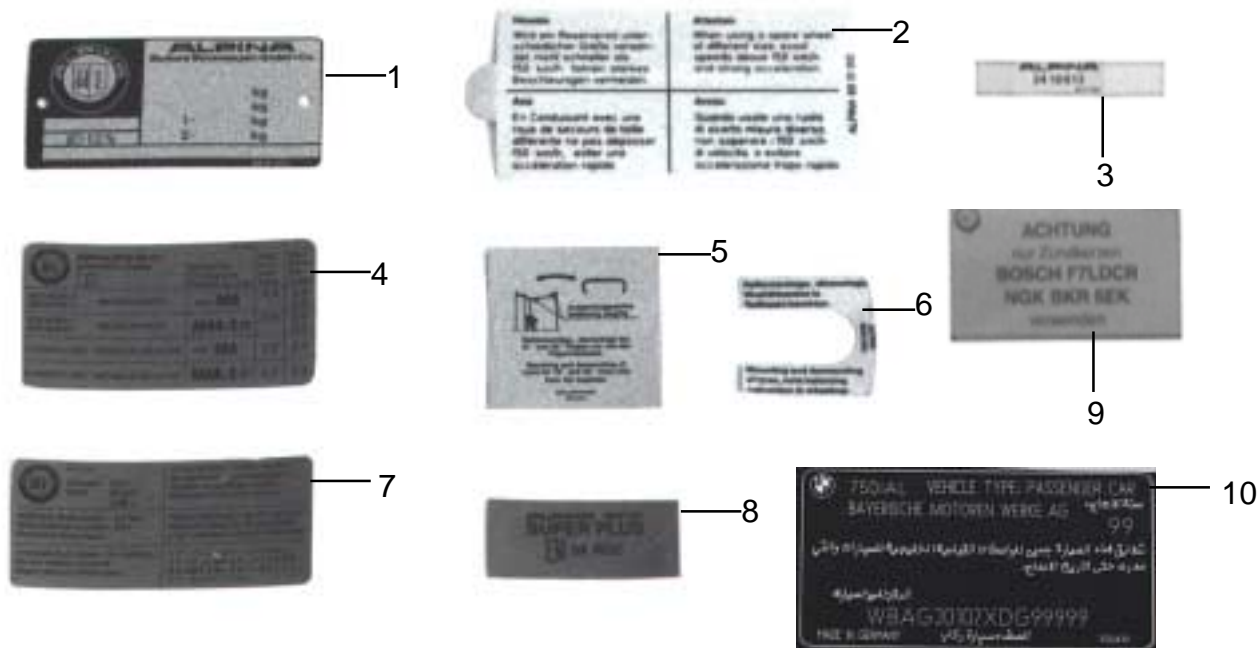
BMW/ALPINA B10 V8;
B10 V8 touring

information stickers

as of
10/01

sheet
1

group
88 01



P O S	expression	part number	B10	B10	RL		R E M	
			V8 L	V8 T				
1	identification plate	88 01 001	1	1				
2	information sign	88 01 010	1	1				
3	sticker automatic gearbox "24 10 613"	88 01 094	1	1			a	
3	sticker automatic gearbox "24 10 619"	88 01 099	1	1			b	
4	sticker tyre pressure	88 01 088	1					
4	sticker tyre pressure	88 01 091		1				
5	sign "tyre mounting" (cover)	88 01 045	4	4				
6	sign "tyre mounting" (rim)	88 01 070	4	4				
7	sticker "Verdeckte Ventile"	88 01 081	1	1				
8	sign "Super Plus" (tank cap)	88 01 037	1	1				
8	sign "Super Plus" (instrument panel)	88 01 047	1	1				
9	sign "spark plugs"	88 01 083	1	1				
10	sign "Compliance Label"	88 01 115	1	1		U.A.E		
a	with chassis-no.: AF30 ... / BF30 ...							
b	from chassis-no....on: HF40 ... / JF40 ...							