



# Parts catalogue

## B3 BITURBO F3x



**B3 BITURBO 04/13-07/15**  
**B3 BITURBO AWD 06/13-07/15**  
**B3 BITURBO Touring 04/13-07/15**  
**B3 BITURBO Touring AWD 06/13-07/15**

Only ALPINA parts and not clear perceptible BMW parts which are different to the basic car are listed. For BMW parts the BMW parts catalogue has to be used. The abbreviations used in several columns on the text lines have the following meanings:

1. item column (POS): picture number equal to the shown part, o.A. = not pictured
  2. expression column
  3. part number column
  4. model column: wanted quantity; x = quantity is required
  5. RHD-column: RHD-vehicle  
R = only for RHD-vehicle L = only for LHD vehicle
  6. AWD - column: A = only for all wheel vehicle, R = only for rear wheel drive vehicle
  7. remarks column (REM): a, b, c, ... country specification, use from/ up to, other informations  
A: part number exchangeable with the one mentioned in the next line  
E: part Number is cancelled  
W: part number is used alternatively by the one standing either before it or afterwards (also marked with „W“)
- The illustrations in this catalogue do not correspond to the original size and shape!

### Base engine is the N55B30A (M0) from the BMW 335i (F3x)

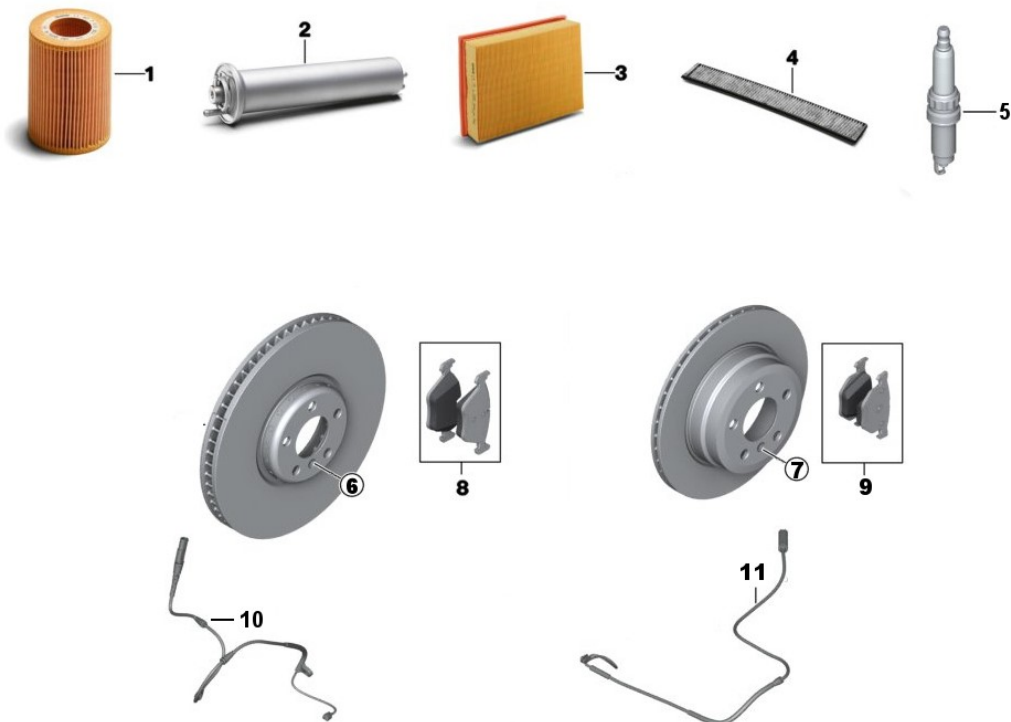
ALPINA vehicle name	BMW base model	Abbreviation	Base engine
B3 BITURBO 04/13-07/15	3 Series F30 335i	B3L	N55B30A (M0)
B3 BITURBO AWD 06/13-07/15	3 Series F30 335iX		N55B30A (M0)
B3 BITURBO Touring 04/13-07/15	3 Series F31 335i	B3T	N55B30A (M0)
B3 BITURBO Touring AWD 06/13-07/15	3 Series F31 335iX		N55B30A (M0)

### Catalogue group overview

02 Scopes of service and repair work	32 Steering
03 Accessories and retrofits	33 Rear axle
11 Engine	34 Brakes
12 Engine electrical system	36 Wheels
13 Fuel preparation	41 Chassis
17 Cooling	51 Vehicle trim
18 Exhaust system	62 Cluster gauge
22 Engine mount	64 Heater Air conditioning
24 Automatic transmission	88 Special parts
26 Drive shaft	
31 Front axle	

**ALPINA BURKARD BOVENSIEPEN GMBH + CO. KG**

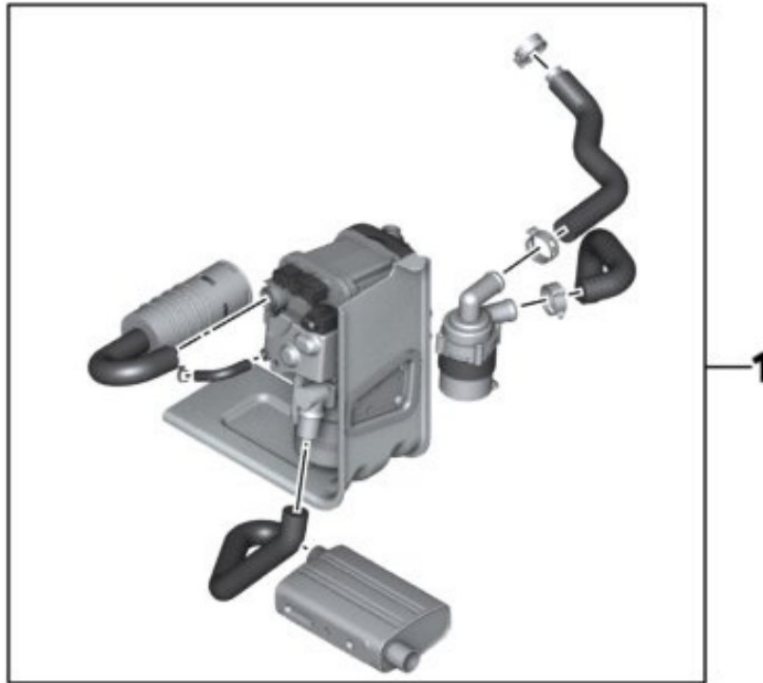
Alpenstraße 35-37 D-86807 Buchloe Tel. 08241/5005-0 Fax.08241/5005-155



POS	Expression	Part number	B3 L	B3 T	R H D	A W D	REM
1	Set Oil filter	11 42 7 953 129	1	1			
3	Air cleaner element	13 71 7 602 643	1	1			
4	Microfilter/ Vapor canister	64 11 9 237 555	1	1			
5	Spark plug NGK SIZKBR8A8HS	12 10 125	6	6			AE
5	Spark plug NGK SIZKBR8B8HG	12 10 128	1	1			b
6	Brake disc FA	34 10 6 797 606	2	2			
7	Brake disc RA	34 20 6 894 382	2	2			
8	Brake lining set FA	34 11 185	1	1			
8	Brake lining set FA Japan	34 11 6 865 460	1	1			a
9	Brake lining set RA	34 21 6 887 576	1	1			
10	Brake lining sensor FA	34 35 6 792 289	1	1			
11	Brake lining sensor RA	34 35 6 792 292	1	1			

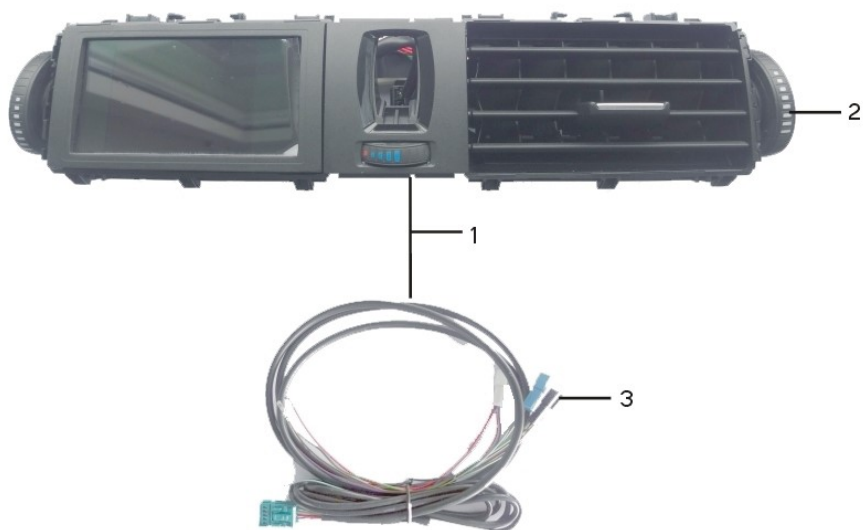
a) Country version Japan

b) amount for connected lambda sensor



POS	Expression	Part number	B3 L	B3 T	R H D	A W D	REM
1	Montageanleitung Standheizung DE	88 03 631	1	1			a
1	Mouting instruction auxiliary heater en	88 03 632	1	1			a

a) the parts is described in the mounting instrcution



POS	Expression	Part number	B3 L	B3 T	R H D	A W D	REM
1	set digital display	62 10 310	1	1	L		
1	set digital display	62 10 311	1	1	R		
2	digital display	62 10 298	1	1	L		
2	digital display	62 10 299	1	1	R		
3	wiring harness	61 11 271	1	1			



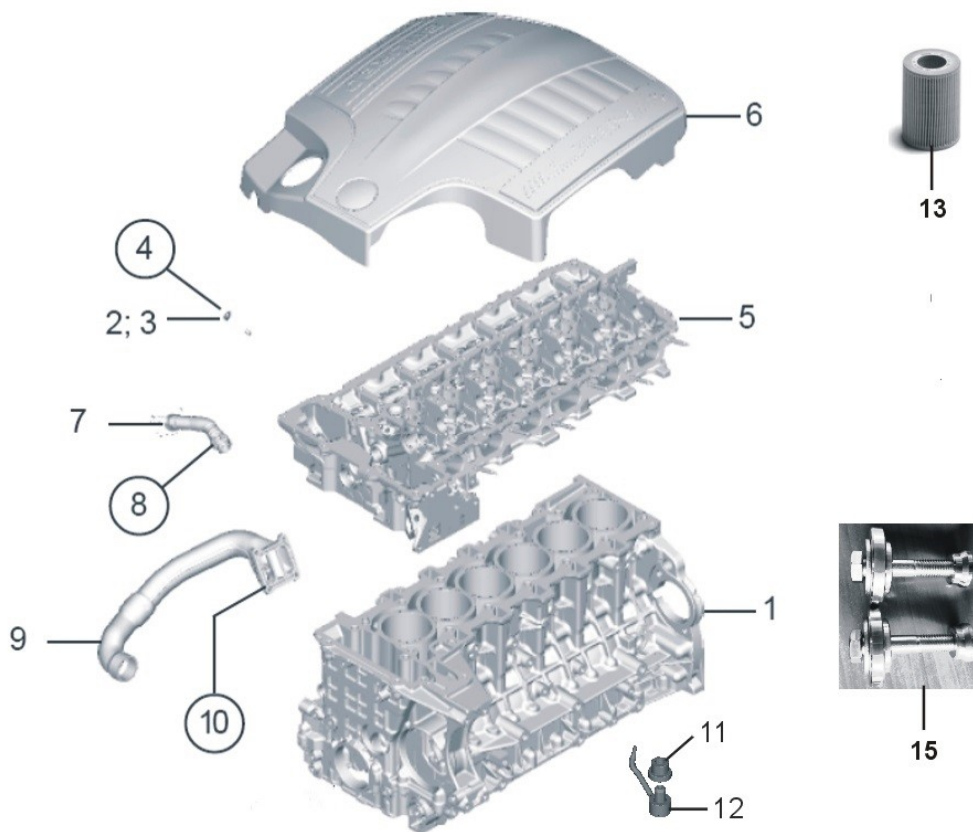
B3 BITURBO F3x

03 Car cover

Sheet 1

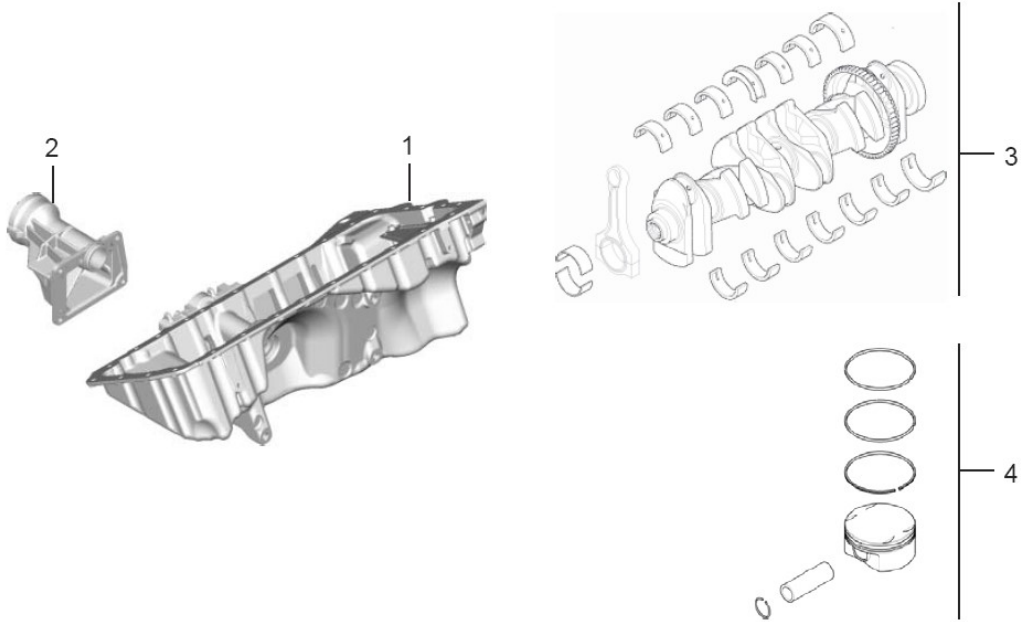


POS	Expression	Part number	B3 L	B3 T	R H D	A W D	REM
1	car cover	76 00 410	1				
1	car cover	76 00 420		1			



POS	Expression	Part number	B3 L	B3 T	R H D	A W D	REM
1	Crankcae without pistons	11 11 145	1	1			
2	Sealing plug	11 11 152	1	1			
3	Securing plate	11 11 153	1	1			
4	Unbrako screw M6x10	07 26 001	1	1			
5	Cylinder head with valve gear	11 12 129	1	1			
--	only in conjunction with oil spraying nozzle	11 37 7 583 786	1	1			
6	Engine cover	13 71 019	1	1			
7	Ventilation hose with Blow-By heater	11 12 7 584 128	1	1			
8	Screw 5x20 self cutting	11 61 7 535 849	2	2			
9	Water feed line	11 53 128	1	1			
o.A.	Sealing	11 53 132	1	1			a
10	Torx screw M6x20	07 12 9 905 568	4	4			
12	Oil spraying nozzle	11 42 7 598 003	6	6			
13	Set oil filter	11 42 7 953 129	1	1			
15	Wheel bearing fixing set when removing engine	74 00 761	1	1		A	
o.A.	Corrosion shield engine cover	11 12 133	1	1			

a) contained in pos. 9

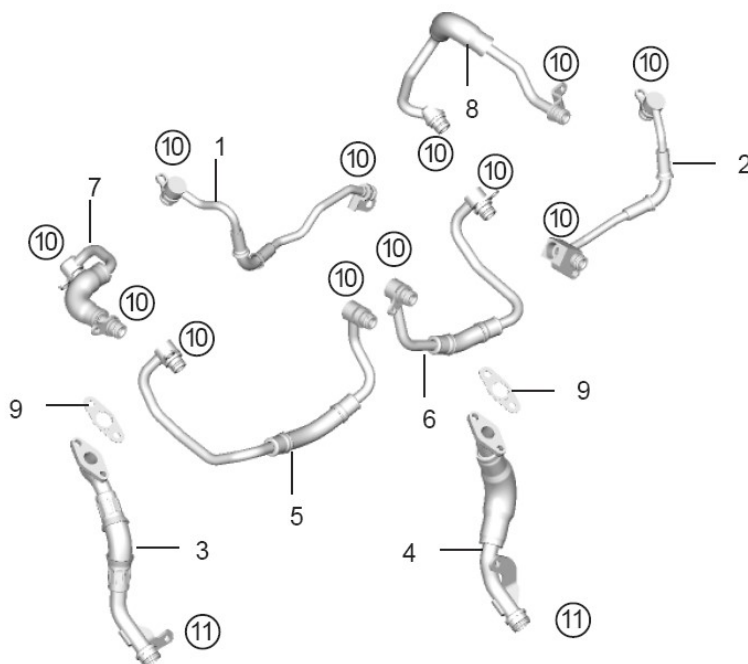


POS	Expression	Part number	B3 L	B3 T	R H D	A W D	REM
1	oil pan AWD	11 13 133	1	1		A	
2	bearing block AWD	11 13 134	1	1		A	
3	crankshaft with bearings	11 21 2 334 334	1	1			c
4	piston	11 25 180	6	6			a
	crankshaft and vibration damper are taken out of BMW 1Series M (F20/F21)		i	i			c
			i	i			c

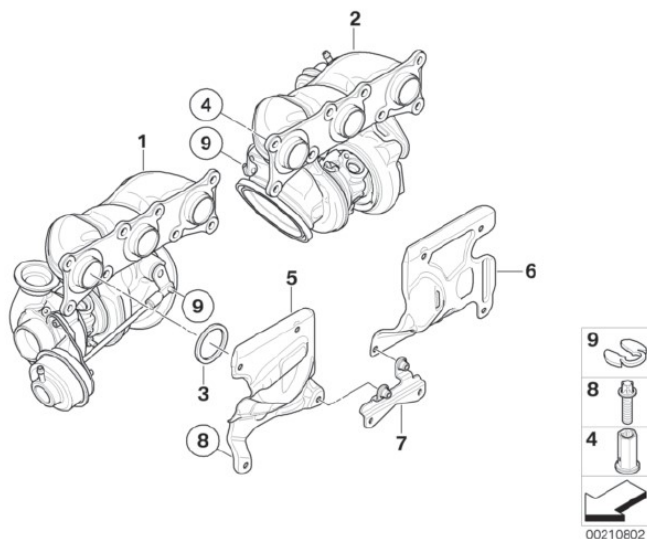
a) up to 07/15

c) note the ALPINA main bearing classification

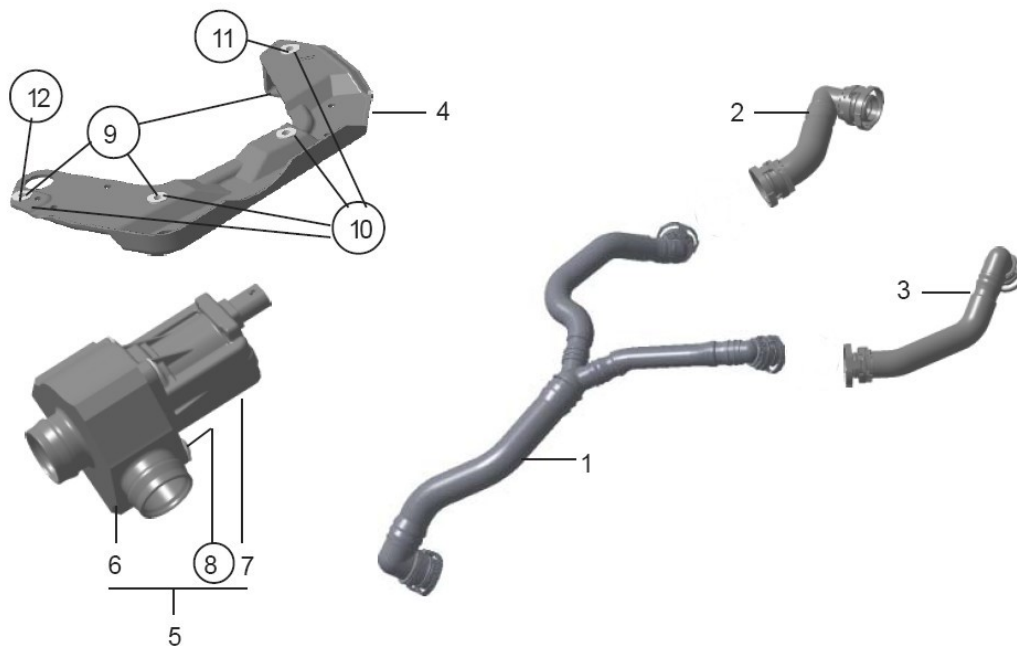




POS	Expression	Part number	B3 L	B3 T	R H D	A W D	REM
1	oil feed line turbo charger 1-3	11 42 116	1	1			
2	oil feed line turbo charger 4-6	11 42 117	1	1			
3	oil return line turbo charger 1-3	11 42 7 563 713	1	1			
4	oil return line turbo charger 4-6	11 42 7 562 800	1	1			
5	water feed line turbo charger 1-3	11 53 133	1	1			
6	water feed line turbo charger 4-6	11 53 134	1	1			
7	water return line turbo charger 1-3	11 53 7 558 900	1	1			
8	water return line turbo charger 4-6	11 53 7 563 707	1	1			
9	sealing	11 42 2 246 091	2	2			
o.A.	screw M6x12	07 12 9 905 867	8	8			
o.A.	screw M6x16	07 12 9 904 588	5	5			
o.A.	screw M8x40	07 12 9 904 704	1	1			
10	O-ring	11 42 7 558 936	12	12			
11	O-ring	11 42 7 563 453	2	2			

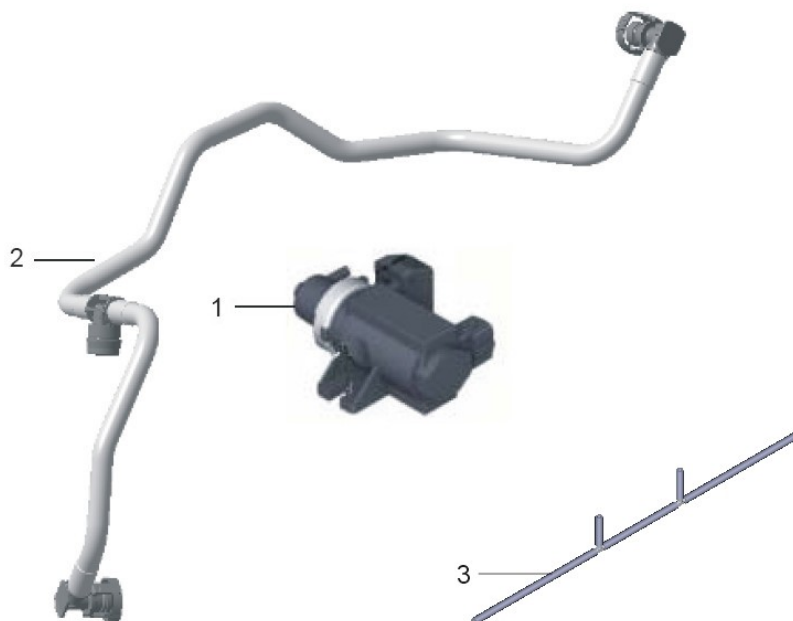


POS	Expression	Part number	B3 L	B3 T	R H D	A W D	REM
1	turbo charger cyl. 1-3	11 65 7 593 015	1	1			
2	turbo charger cyl. 4-6	11 65 7 593 017	1	1			
3	sealing ring	11 62 7 558 906	6	6			
4	flange nut	18 40 7 502 196	16	16			
5	heat cover 1	11 79 7 558 904	1	1			
6	heat cover 2	11 79 7 558 905	1	1			
7	support plate for heat cover	11 79 7 559 056	1	1			
8	screw M6x16	07 12 9 905 905	10	10			
9	snap ring 6mm	11 65 7 606 506	2	2			
9	snap ring 8mm	11 65 7 606 507	2	2			



POS	Expression	Part number	B3 L	B3 T	R H D	A W D	REM
1	divert air system Y-hose	11 65 170	1	1			AE
1	divert air system Y-hose	11 65 198	1	1			
2	divert air system hose cyl. 1-3	11 65 171	1	1			AE
2	divert air system hose cyl. 1-3	11 65 199	1	1			
3	divert air system hose cyl. 4-6	11 65 172	1	1			AE
3	divert air system hose cyl. 4-6	11 65 200	1	1			
4	bracket divert air system	11 65 174	1	1			
5	assembly of divert air valve	11 65 183	2	2			
6	socket divert air valve	11 65 184	2	2			a
7	divert air valve	11 65 7 609 210	2	2			a
8	Unbrako screw M6x14	07 26 002	6	6			a
9	protection buffer	13 71 7 542 860	3	3			
10	Unbrako screw M6x14	07 26 002	4	4			
11	ball pin M6 D10 short	07 10 014	1	1			
12	ball pin M6 D10 long	07 10 015	1	1			

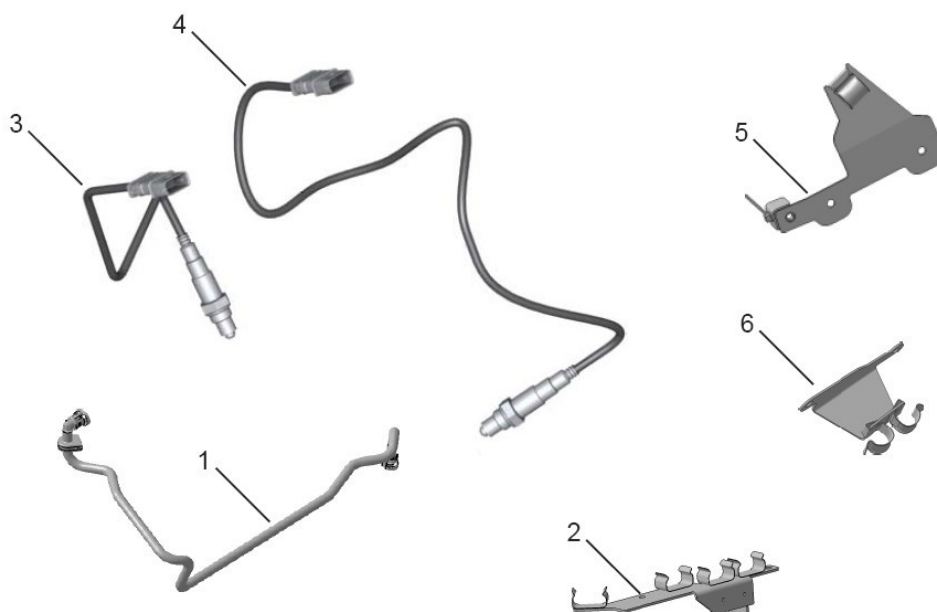
a) contained in pos. 5



POS	Expression	Part number	B3 L	B3 T	R H D	A W D	REM
1	pressure converter EPPV	11 74 7 626 351	2	2			
2	suction jet pump with lines	13 90 107	1	1			
3	vacuum line	11 65 031	1	1			c
o.A.	T-peace vacuum line	11 72 1 439 973	2	2			b
o.A.	vacuum line L=470mm	11 65 7 803 732	1	1			a
o.A.	vacuum line L=580mm	11 65 7 803 732	1	1			a
o.A.	vacuum line L=90mm	11 65 7 803 732	1	1			a
o.A.	vacuum line L=30mm	11 65 7 803 732	2	2			a
o.A.	vacuum line L=130mm	11 65 7 803 732	1	1			a
o.A.	vacuum line L=110mm	11 65 7 803 732	1	1			a
o.A.	lenshead screw M6x16	07 12 6 986 927	1	1			

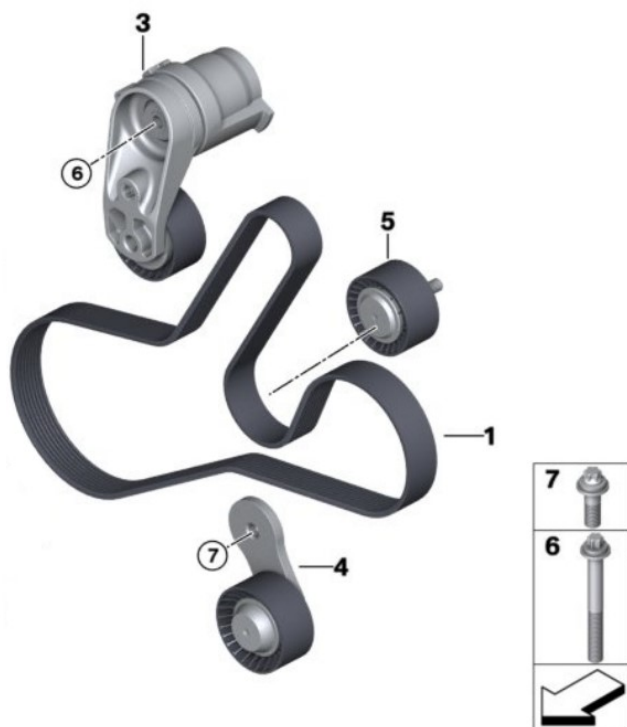
a) supplied by meter

c) Contains a) and b)



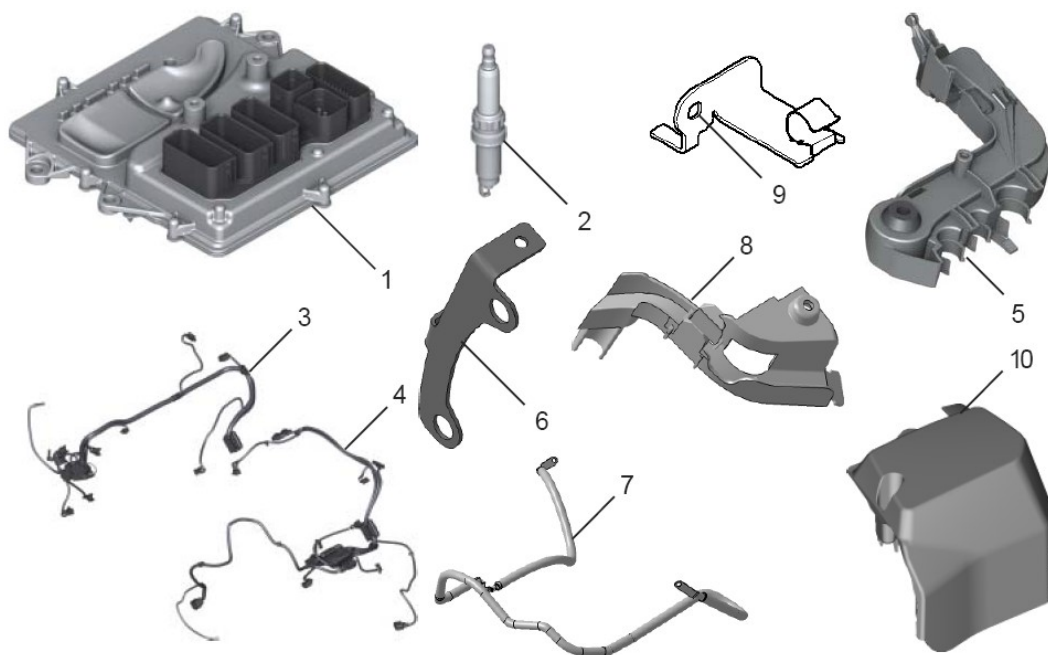
POS	Expression	Part number	B3 L	B3 T	R H D	A W D	REM
1	brake vakuum line	11 66 100	1	1			a
2	bracket sensor plug cylinderhead top	11 78 102	1	1			a
3	lambda control sensor bank 1	11 78 7 596 924	1	1			a
3	lambda control sensor bank 2	11 78 106	1	1			a
4	lambda monitoring sensor bank 1	11 78 7 589 475	1	1			a
4	lambda monitoring sensor bank 2	11 78 107	1	1			a AE
4	lambda monitoring sensor bank 2	11 78 7 589 475	1	1			a
5	bracket ground cable	11 78 104	1	1			a
6	bracket lambda control sensor bank 1+2	11 78 108	1	1			a

a) up to 07/15



POS	Expression	Part number	B3 L	B3 T	R H D	A W D	REM
1	v-belt 8PK 1398	11 28 7 848 605	1	1			b
3	belt tensioner	11 28 8 604 266	1	1			
4	deflection pulley	11 28 105	1	1			
5	deflection pulley	11 28 7 589 361	1	1			
6	hex bolt M10x90 U1-8.8-ZNNIV Si	07 12 9 906 293	1	1			
7	hex bolt BM 10x30	07 12 9 907 184	1	1			

b)



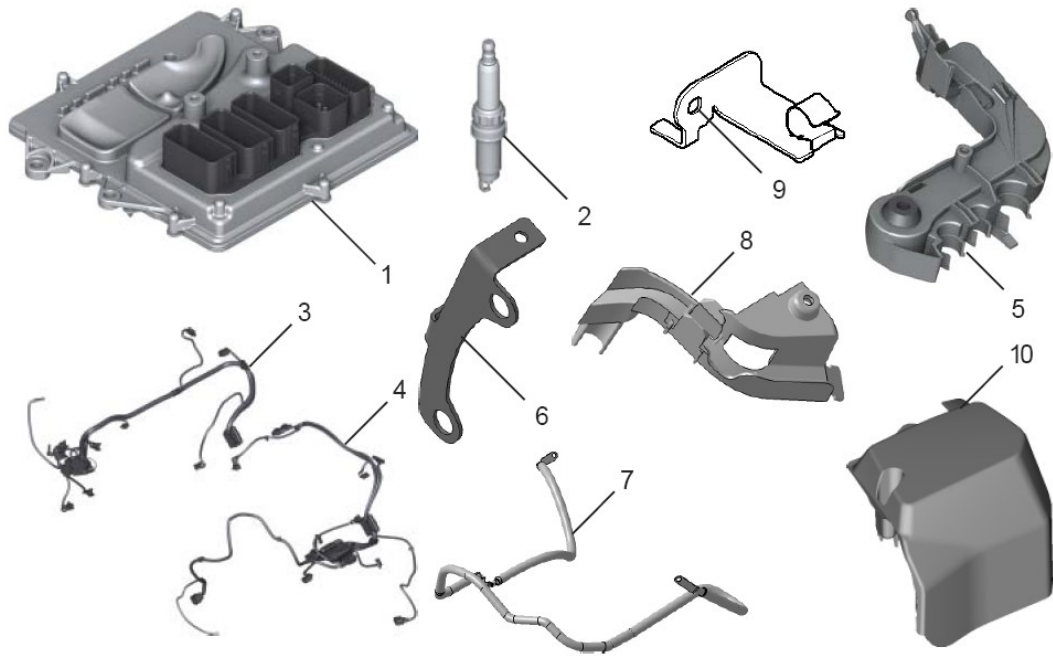
POS	Expression	Part number	B3 L	B3 T	R H D	A W D	REM
1	control unit Motronic MEVD 1726	12 14 001	1	1			c
2	spark plug NGK SIZKBR8A8HS (set)	12 10 125	6	6			AE
2	spark plug NGK SIZKBR8A8HS	12 10 127	1	1			
2	set spark plug NGK SIZKBR8B8HG	12 10 128	1	1			e
3	cable tree engine sensors 1	12 41 100	1	1			c
4	cable tree engine sensors 2	12 41 102	1	1			c
5	cable tree bracket on intake system	12 52 301	1	1			
o.A.	screw 50x16	13 71 7 536 971	1	1			
6	bracket on transmission	12 52 302	1	1			
7	starter generator	12 42 111	1	1			a
7	starter generator	12 42 112	1	1			b
8	wiring guide for starter generator cable	12 52 300	1	1			
9	bracket starter generator cable	12 42 7 574 415	1	1			
10	Cover multifunktion bracket	12 52 002	1	1			
	(required:) Multifunktion bracket	12 90 7 604 347	1	1			
	parts for unmounting starter:		i	i			
o.A.	set of screw for transmission	24 10 135	1	1			

a) up to 07/14

b) from 07/14

c) up to 07/15

e) amount for connected lambda sensor

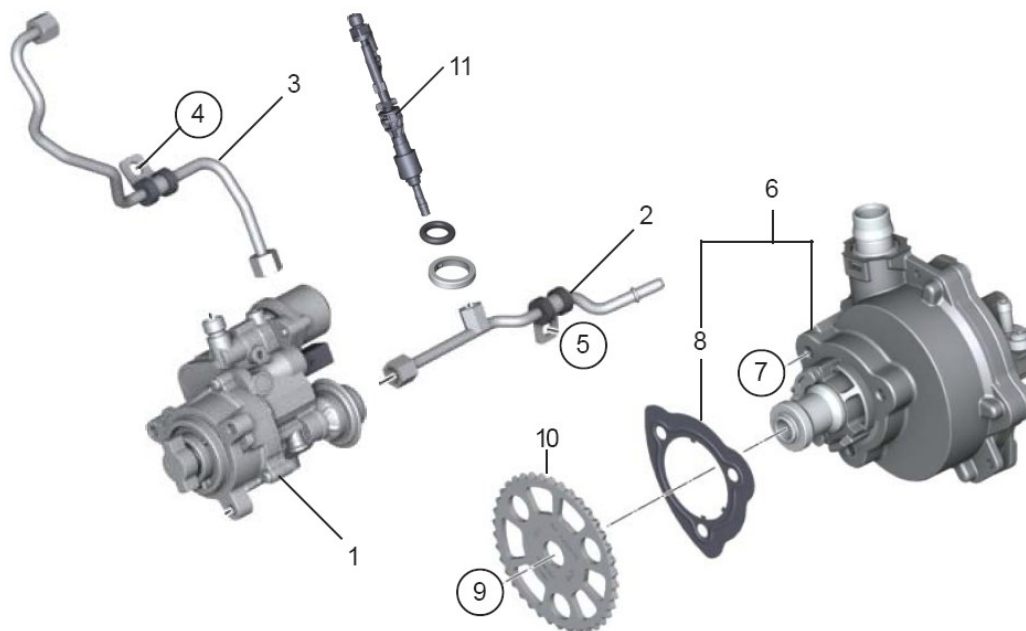


POS	Expression	Part number	B3 L	B3 T	R H D	A W D	REM
o.A	screw M10x1,5x55	24 10 129	1	1			

a) up to 07/14  
c) up to 07/15

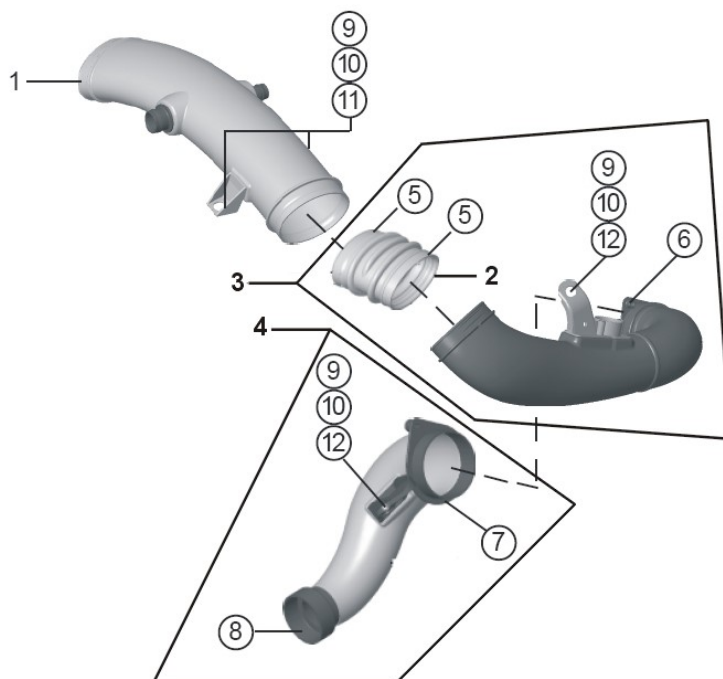
b) from 07/14  
e) amount for connected lambda sensor



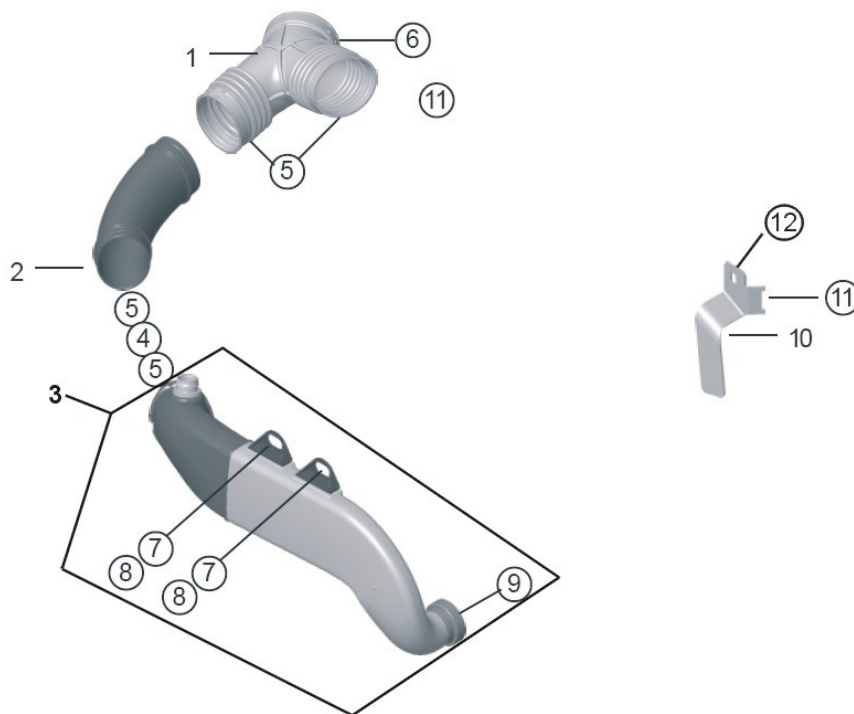


POS	Expression	Part number	B3 L	B3 T	R H D	A W D	REM
1	high pressure pump	13 51 7 616 170	1	1			a
2	fuel feeding line N55 without sensor	13 53 7 605 020	1	1			a
3	hp-line pump-rail N55	13 53 7 576 778	1	1			a
4	hex screw M7x18	13 53 7 583 747	1	1			a
5	screw M8x17	11 13 7 544 768	1	1			a
6	vakuum pump	11 66 7 619 350	1	1			a
7	cylinder head screw M6x25	07 11 9 904 954	3	3			a
8	sealing	11 66 7 525 815	1	1			a
9	screw M10x30	11 66 7 528 325	1	1			a
10	sprocket wheel	11 41 7 516 128	1	1			a
11	injector EU5	13 64 7 597 870	6	6			a
12	gasket ring	13 53 7 591 006	6	6			a
13	decoupling element	13 53 7 577 649	6	6			a

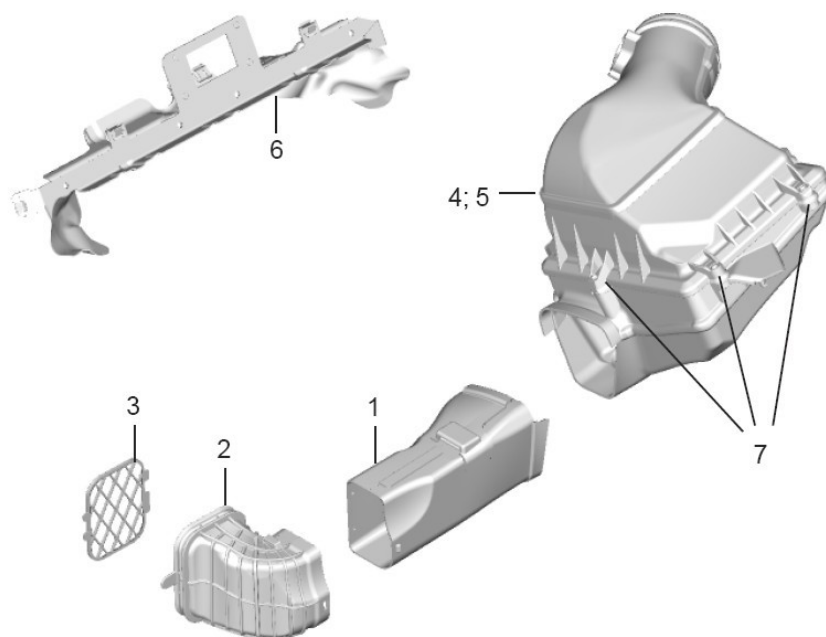
a) up to 07/15



POS	Expression	Part number	B3 L	B3 T	R H D	A W D	REM
1	clean air guide cyl. 1-3 part 1	13 70 225	1	1			
2	bellow clean air hose	13 70 252	1	1			
3	clean air guide cyl. 1-3 part 2	13 70 223	1	1			
4	clean air guide cyl. 1-3 part 3	13 70 238	1	1			
5	hose clamp	13 71 7 599 289	2	2			
6	Screw 50x26/12	13 71 7 545 438	1	1			
7	sealing	13 71 7 599 292	1	1			
8	sealing in socket	13 71 2 247 398	1	1			
9	rubber bearing	13 71 7 593 170	4	4			
10	bushing	13 71 7 593 171	4	4			
11	Screw M6x20	07 12 9 907 102	2	2			
12	Screw	07 14 9 218 232	2	2			

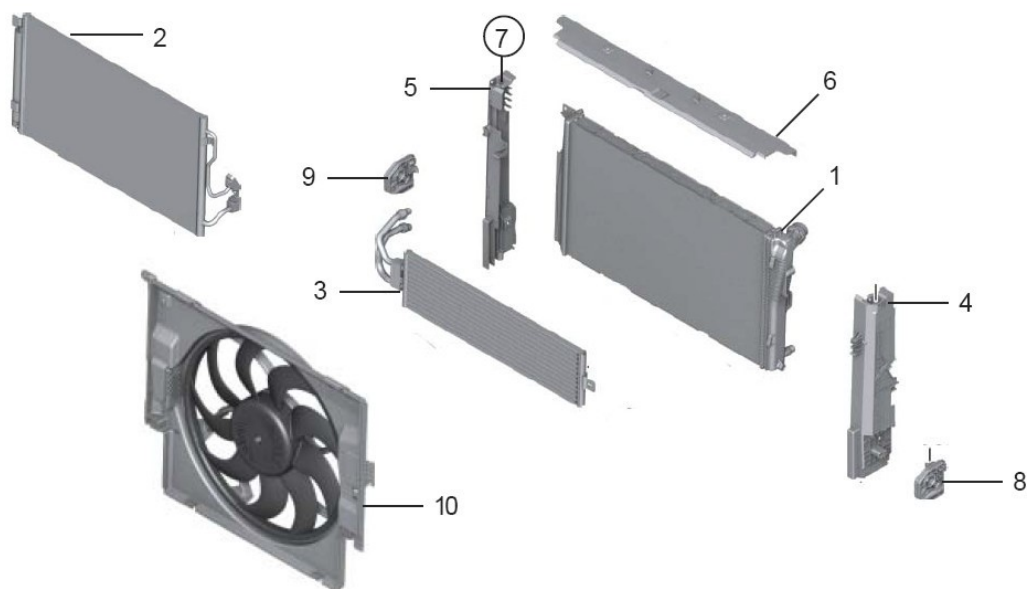


POS	Expression	Part number	B3 L	B3 T	R H D	A W D	REM
1	Y-bellow clean air	13 70 250	1	1			
2	clean air guide connecting piece cyl. 4-6	13 70 248	1	1			
3	clean air guide cyl. 4-6	13 70 258	1	1			
4	rubber connection	13 70 249	1	1			
5	hose clamp	13 71 7 599 289	4	4			
6	hose clamp d=90-110mm	07 40 104	1	1			
7	rubber bearing	13 71 7 568 028	2	2			
8	bushing with Torx screw M6x22	13 71 7 568 027	2	2			
9	sealing in socket	13 71 7 568 029	1	1			
10	mounting plate clean air guide cyl. 4-6	13 70 780	1	1			
11	bracket	12 52 1 436 023	1	1			
12	screw M6x16	07 14 6 986 927	1	1			

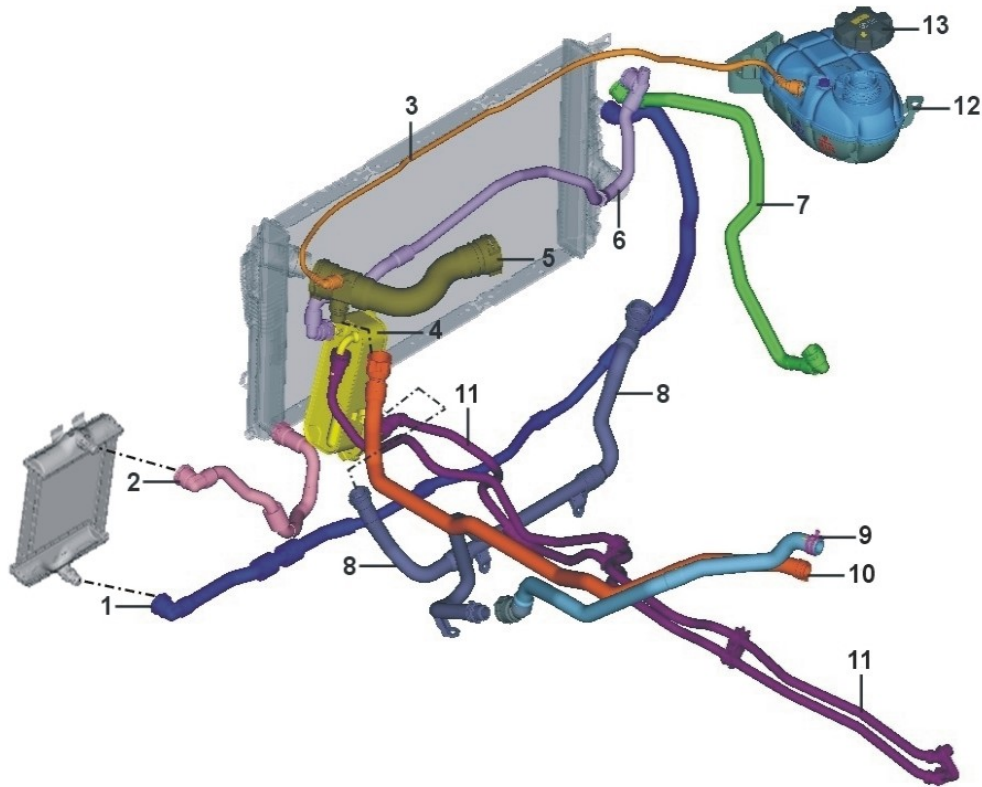


POS	Expression	Part number	B3 L	B3 T	R H D	A W D	REM
1	raw air guide with rubber bearing	13 71 009	1	1			
@ 1	rubber bearing	13 71 8 573 147	1	1			
2	raw airguide	13 71 008	1	1			
3	intake grille	13 71 007	1	1			
4	intake muffler	13 70 218	1	1			
5	air filter pad	13 71 7 602 643	1	1			a
@ 5	cable clamp	12 52 1 436 023	2	2			
@ 5	clip	12 52 1 437 136	2	2			
@ 5	ring	64 11 8 247 773	4	4			
@ 5	clamp	07 14 001	2	2			
6	bracket pressure converter	13 71 010	1	1			
7	Lens head screw	13 71 7 545 438	6	6			

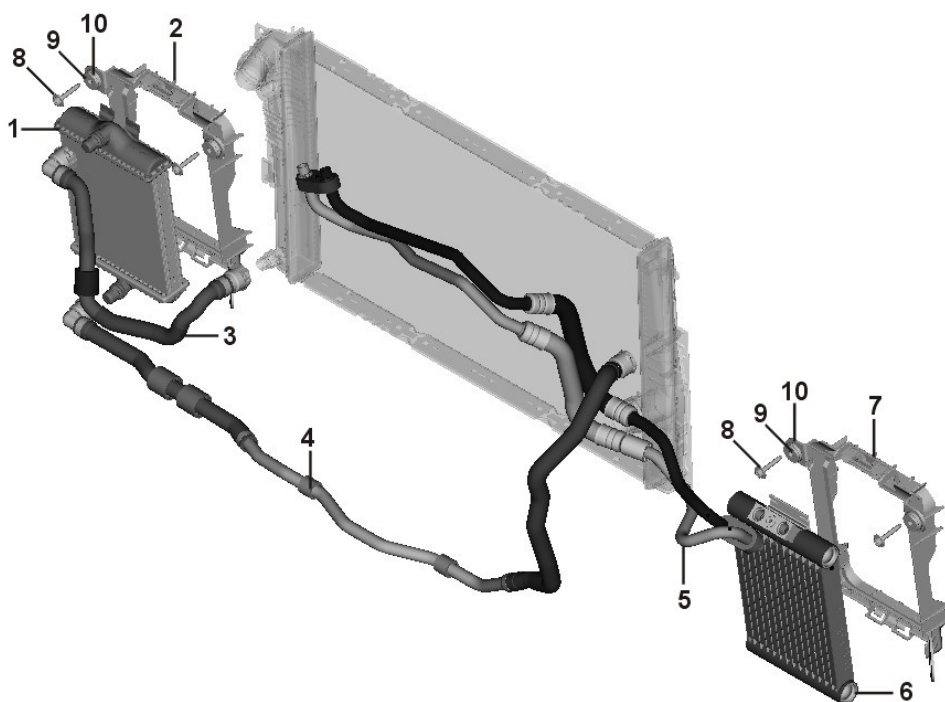
a) Contained in pos. 4



POS	Expression	Part number	B3 L	B3 T	R H D	A W D	REM
1	coolant cooler	17 11 7 606 017	1	1			
2	condensator B16	64 50 6 804 721	1	1			
3	low temperature coolant cooler	17 11 7 600 535	1	1			
4	module carrier left	17 11 7 600 536	1	1			
5	module carrier right	17 11 7 600 538	1	1			
6	sealing cooling module top	17 11 7 600 543	1	1			
7	top cooler bearing top	17 11 7 600 539	2	2			
8	lower left cooler bearing	17 11 8 620 732	1	1			
9	lower right cooler bearing	17 11 8 620 733	1	1			
10	fan housing with fan 850W	17 42 7 640 513	1	1			

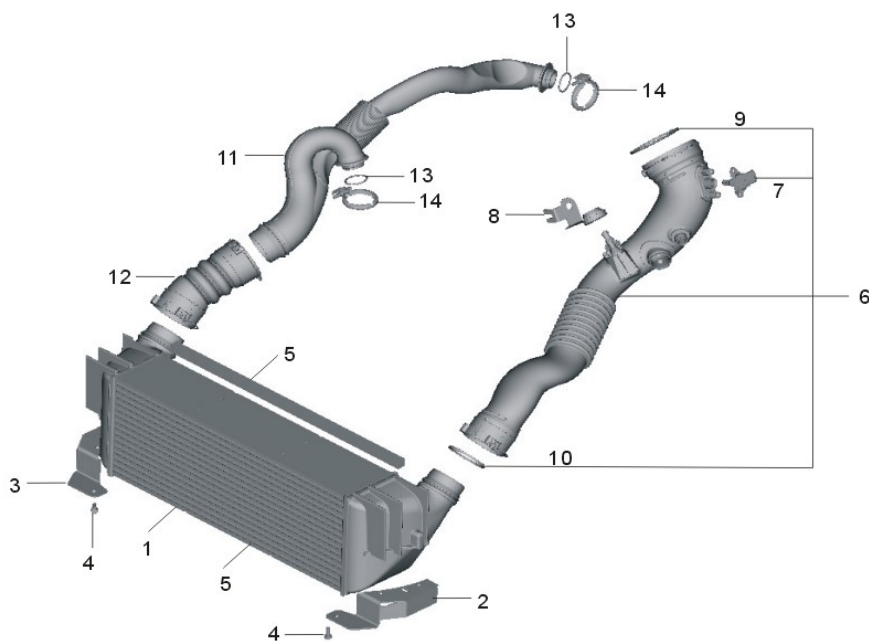


POS	Expression	Part number	B3 L	B3 T	R H D	A W D	REM
1	hose radiator - external radiator left	17 12 101	1	1			
2	hose radiator - external radiator left	17 12 7 627 101	1	1			
3	Hose radiator - expansion tank	17 12 8 570 061	1	1			
4	heat exchanger	17 21 7 600 553	1	1			
5	hose radiator	17 12 7 604 542	1	1			
6	hose radiator	17 12 7 627 106	1	1			
7	hose radiator	17 12 102	1	1			
8	refrigerant pipe	17 12 7 604 544	1	1			
9	hose heater core engine return	64 21 9 208 187	1	1			
10	hose heater core engine feed	64 21 9 243 891	1	1			
11	transmission oil cooler line	17 22 7 626 316	1	1			
11	transmission oil cooler line	17 22 7 626 318	1	1	X		
12	expansion tank	17 13 7 642 160	1	1			
13	screw cap	17 11 7 639 020	1	1			



POS	Expression	Part number	B3 L	B3 T	R H D	A W D	REM
1	extrenal coolant cooler	17 11 7 628 057	1	1			
2	frame coolant cooler	17 21 7 600 698	1	1			
3	hose radiator - external radiator left	17 12 7 627 101	1	1			
4	hose radiator - external radiator left	17 12 101	1	1			
5	engine-oil cooler line	17 22 7 639 450	1	1			
6	extrenal engine oil cooler	17 21 7 628 056	1	1			
7	frame engine oil cooler	17 21 7 600 698	1	1			
8	flat-head screw M6x35	07 11 9 907 286	6	6			
9	distance bushing	17 22 7 615 869	6	6			a
10	module bearing	17 21 7 615 868	6	6			a

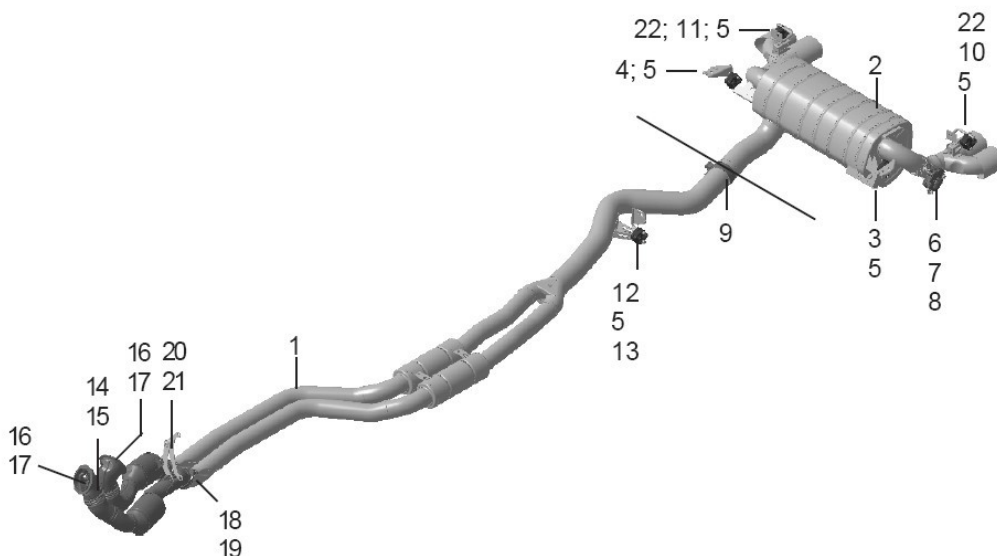
a) contained in pos. 2 and 7



POS	Expression	Part number	B3 L	B3 T	R H D	A W D	REM
1	intercooler	17 50 103	1	1			AE
1	intercooler	17 50 115	1	1			a
2	bracket left	17 50 109	1	1			
3	bracket right	17 50 110	1	1			
4	screw M6x18	07 11 9 900 251	4	4			
5	rubber sealing intercooler l=500mm	17 50 116	2	2			
6	charge air duct	13 71 036	1	1			
7	pressure sensor 2,5 bar	13 62 7 599 042	1	1			
9	o-ring	13 71 7 568 031	1	1			
10	preformed seal	11 61 8 506 786	1	1			
11	charge air hose turbo charger - intercooler	11 65 178	1	1	L		
11	charge air hose turbo charger - intercooler	11 65 179	1	1	R		
12	charge air tube turbo charger - intercooler	11 65 167	1	1			
13	O-ring sealing	13 71 7 568 030	2	2			
14	clamp, charge air duct - turbo charger	11 65 7 558 922	2	2			

a) only with cover engine compartment front 51 75 027

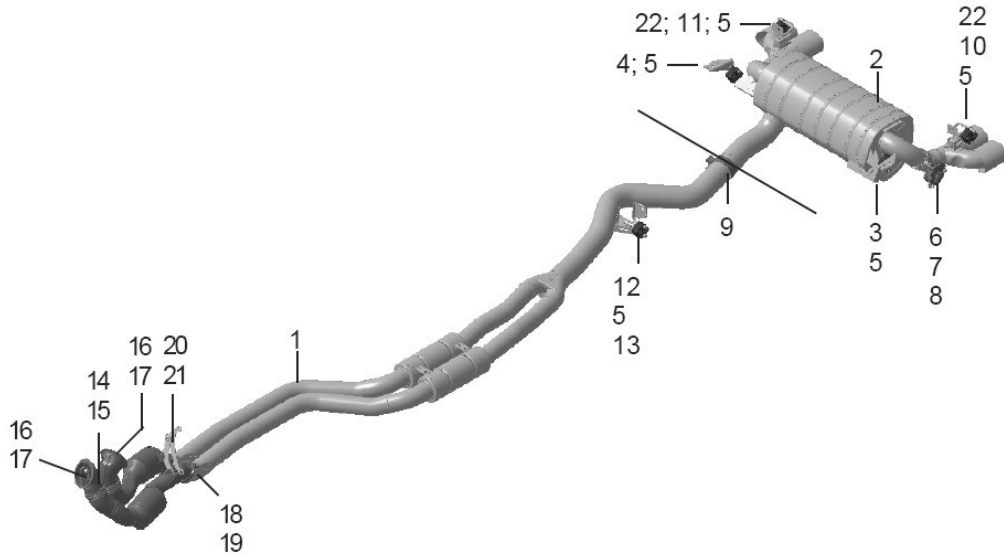




POS	Expression	Part number	B3 L	B3 T	R H D	A W D	REM
1	Exhaust system front part	18 10 375	1	1			
2	rear silencer	18 10 374	1	1			
3	holder rear silencer left	18 30 7 620 316	1	1			a
4	holder rear silencer right	18 30 7 620 317	1	1			a
5	self-aligning rubber bearing	18 30 7 616 850	5	5			a
6	actuator	18 30 7 620 322	1	1			a
7	bracket	18 30 7 620 323	1	1			a
8	tub	18 10 019	1	1			a
9	torca bracket	18 10 017	1	1			
10	holder tail pipe left	18 10 377	1	1			
11	holder tail pipe right	18 10 378	1	1			
12	bracket at rear axle housing	18 20 7 571 002	1	1			
13	hex nut M12x1,5	07 12 9 904 866	1	1			
14	precatalyst cyl 1-3	18 10 371	1	1			
15	precatalyst cyl4-6	18 10 351	1	1			
16	V-clamp D 108,4	11 65 7 620 508	2	2			
17	sealing turbo charger	18 30 7 553 601	2	2			

a) included in Pos.2

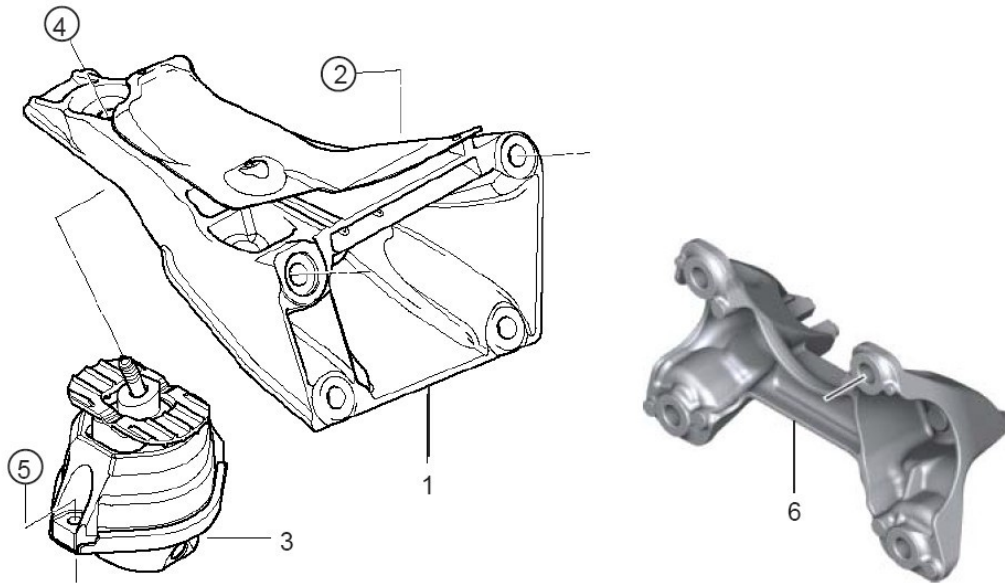
b) not for SA 3AC (trailer coupling)



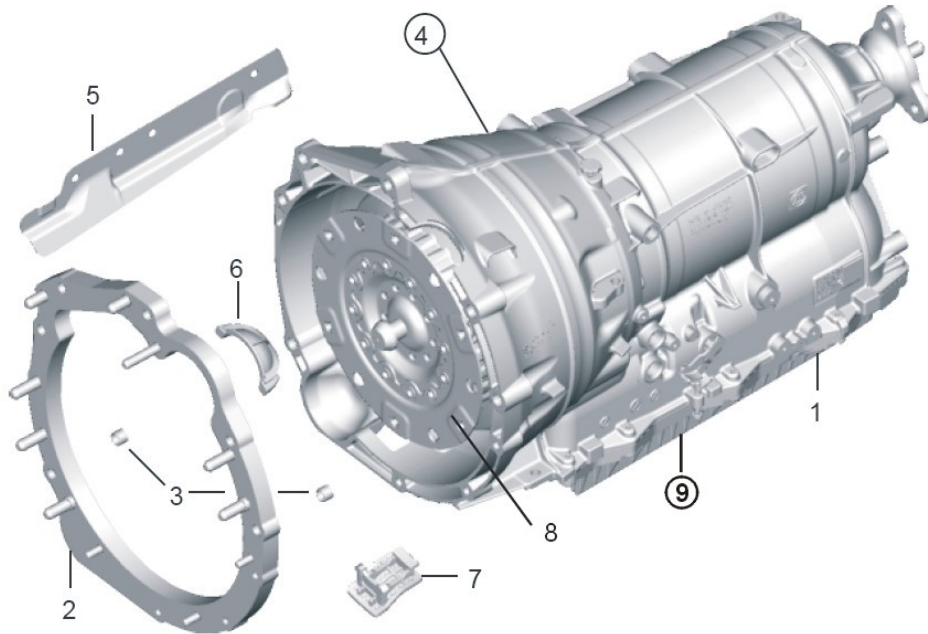
POS	Expression	Part number	B3 L	B3 T	R H D	A W D	REM
18	sealing	18 30 7 553 603	2	2			
19	hex nut with flange	18 30 7 597 650	4	4			
20	bracket precatalyst	18 20 104	1	1			
21	collar Nut M8	18 10 7 523 805	2	2			
22	distance bushing	18 10 016	2	2			b
o.A.	threaded bolts on the catalyst M8x35	18 10 024	4	4			

a) included in Pos.2

b) not for SA 3AC (trailer coupling)



POS	Expression	Part number	B3 L	B3 T	R H D	A W D	REM
1	engine mounting right RWD	22 11 6 772 154	1	1		R	
1	engine mounting right AWD	22 11 100	1	1		A	
2	screw M12x85	22 11 6 778 232	1	1		A	
3	rubber mounting right RWD	22 11 6 773 744	1	1		R	
3	rubber mounting right AWD	22 11 102	1	1		A	
4	flange nut M10	07 11 9 904 670	1	1			
5	screw with washer M8x45	21 11 6 850 329	2	2		R	
6	transmission mounting N57 N55H 8HP70	22 31 6 850 602	1	1			

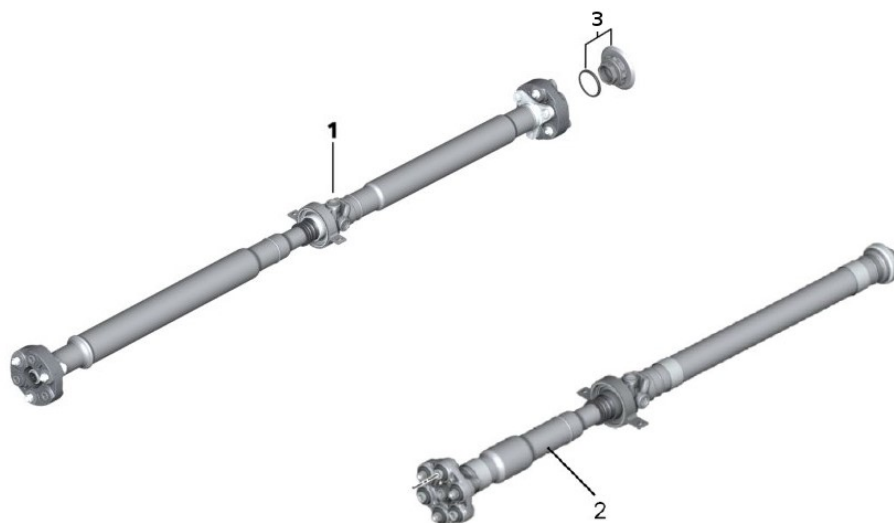


POS	Expression	Part number	B3 L	B3 T	R H D	A W D	REM
1	Automatic transmission 8HP70 RWD	24 10 137	1	1		R	
1	Automatic transmission 8HP70 RWD	24 10 140	1	1		R	
1	Automatic transmission 8HP70 AWD	24 10 138	1	1		A	
1	Automatic transmission 8HP70 AWD	24 10 141	1	1		A	
2	Set adapter plate	24 10 134	1	1			a
@ 2	Set of screws for transmission mounting	24 10 135	1	1			b
@ 2	Set of screws for adapter platemounting	24 10 136	1	1			c
3	Bishing D14,5mm	11 11 7 524 470	2	2			
4	Clip D12-14 Transm. cable to housing	12 12 7 669 013	2	2			
5	Heat cover oil sump 8HP70	24 10 126	1	1			
6	Starter cover	24 10 125	1	1			
7	Cap N57	24 14 7 591 704	1	1			
8	Torque converter	24 10 123	1	1			
9	Repair kit, Mechatronic	24 10 148	1	1			

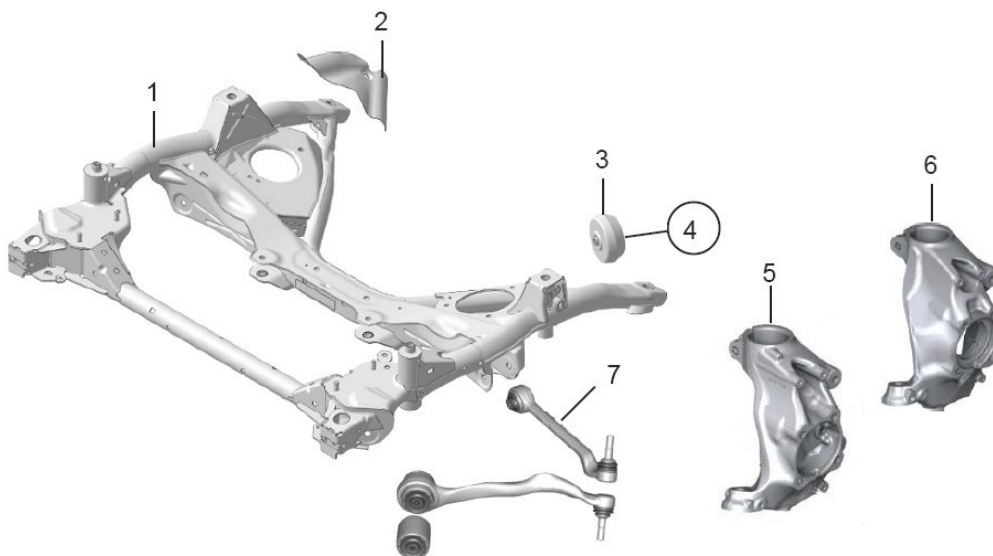
a) Incl. screw set 24 10 136

b) Mounting transmission to adapter plate

c) Mounting adpt. plate to engine



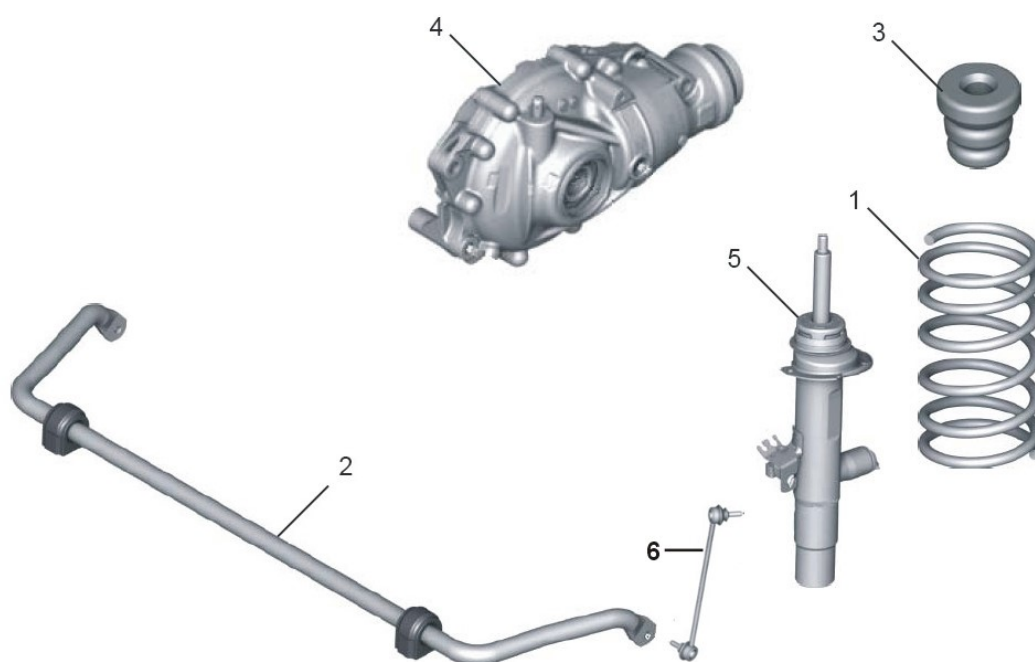
POS	Expression	Part number	B3 L	B3 T	R H D	A W D	REM
1	Drive shaft	26 10 8 678 453	1	1		R	
2	Drive shaft	26 10 8 676 284	1	1		A	
2	Drive shaft	26 10 8 651 301	1	1		A	
3	Repair set nut	33 12 7 607 158	1	1			
	other parts see 330d		i	i			



POS	Expression	Part number	B3 L	B3 T	R H D	A W D	REM
1	Front axle support RWD	31 11 100	1	1		R	a
1	Front axle support RWD	31 11 106	1	1		R	b
2	Heat shield FAS	31 11 105	1	1		R	
3	Dynamic vibration absorber	31 10 6 861 027	2	2			
4	Torcscrew with washer M8x50	07 11 9 908 512	1	1			
5	Swivel bearing camber correction minus left	31 21 6 854 199	1	1		R	
6	Swivel bearing camber correction minus left	31 21 6 856 535	1	1		A	
5	Swivel bearing camber correction minus right	31 21 6 854 200	1	1		R	
6	Swivel bearing camber correction minus right	32 21 6 856 536	1	1		A	
7	Control arm RWD with bearing AWD left	31 10 6 857 329	1	1		R	
7	Control arm RWD with bearing AWD right	31 10 6 857 330	1	1		R	

a) up to 02/14

b) from 03/14



POS	Expression	Part number	B3 L	B3 T	R H D	A W D	REM
1	coil spring RWD	31 33 150	2	2		R	
1	coil spring RWD	31 33 151	2	2		R	
1	coil spring RWD	31 33 152	2	2		R	
1	coil spring RWD	31 33 153	2	2		R	
1	coil spring AWD	31 33 154	2	2		A	
1	coil spring AWD	31 33 155	2	2		A	
1	coil spring AWD	31 33 156	2	2		A	
2	stabilisator with bearing 28 N/mm	31 35 6 792 119	1	1		R	
2	stabilisator with bearing 28 N/mm	31 35 6 792 138	1			A	
3	additional spring 80/40	31 33 6 857 729	2	2		R	
3	additional spring 75/35	31 33 6 791 507	2	2		A	
4	exch. front axle transmission i=2,81	31 50 7 591 996	1	1		A	
5	VDC damper left	37 11 6 793 867	1			R	
5	VDC damper right	37 11 6 793 868	1			R	
5	VDC damper left	37 11 6 793 901		1		R	
5	VDC damper right	37 11 6 793 902		1		R	



POS	Expression	Part number	B3 L	B3 T	R H D	A W D	REM
1	Mounting SWITCH-TRONIC button left	32 33 279	1	1			AE
1	Mounting SWITCH-TRONIC button left	32 33 311	1	1			
2	Mounting SWITCH-TRONIC button right	32 33 280	1	1			AE
2	Mounting SWITCH-TRONIC button right	32 33 312	1	1			
o.A.	Screw mounting SWITCH-TRONIC	07 22 005	2	2			
o.A.	Board sw.-tr.	32 33 281	1	1			
3	Air bag for sports steering wheel	32 33 278	1	1			
4	ALPINA steering wheel leather	32 33 289	1	1			a
4	ALPINA steering wheel leather	32 33 289	1	1			b
4	ALPINA heated steering wheel leather	32 33 290	1	1			
4	ALPINA steering wheel leater (+2mm opt.)	32 33 291	1	1			a
4	ALPINA steering wheel leater (+2mm opt.)	32 33 291	1	1			b
4	ALPINA steering wheel leather	32 33 347	1	1			c
4	ALPINA steering wheel leather individual	32 33 348	1	1			c
4	ALPINA steering wheel leather	32 33 347	1	1			d
4	ALPINA steering wheel leather individual	32 33 348	1	1			d
5	Cover steering wheel	32 33 292	1	1			

a) up to 07/13

b) up to 07/13

c) from 03/15

d) from 03/15

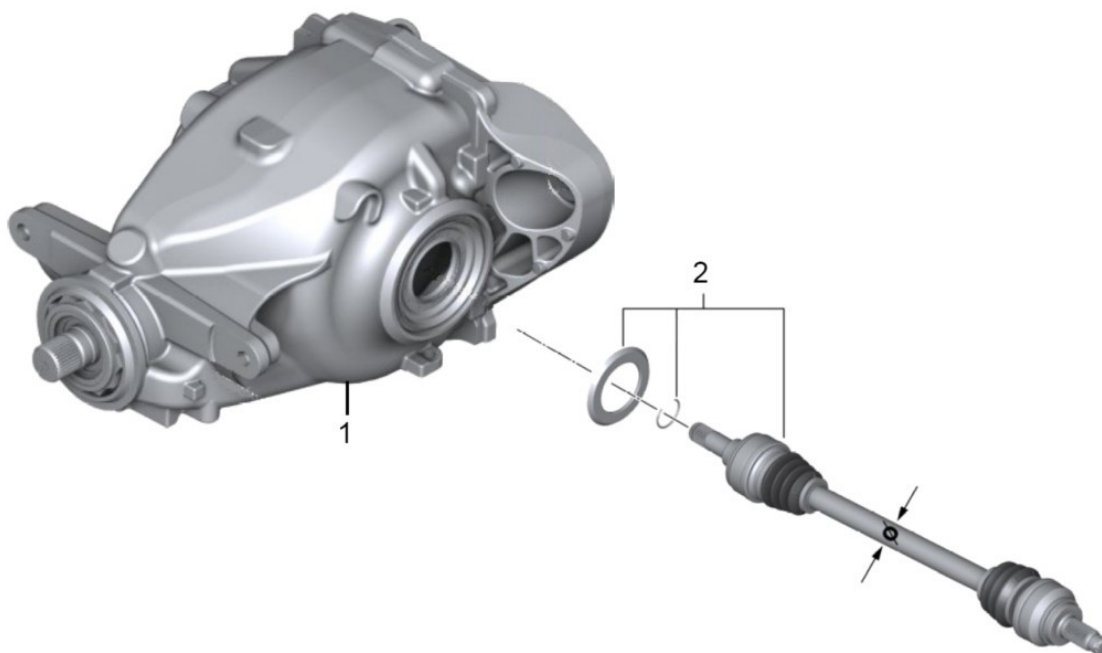




POS	Expression	Part number	B3 L	B3 T	R H D	A W D	REM
6	Part is not mounted in this car		i	i			
7	Part is not mounted in this car		i	i			

a) up to 07/13  
c) from 03/15

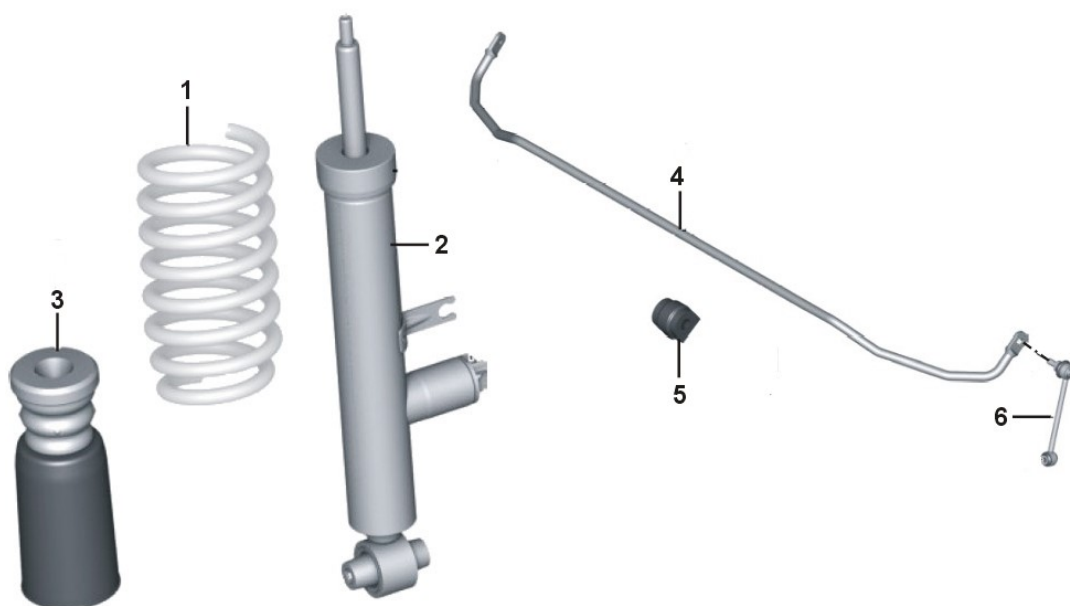
b) up to 07/13  
d) from 03/15



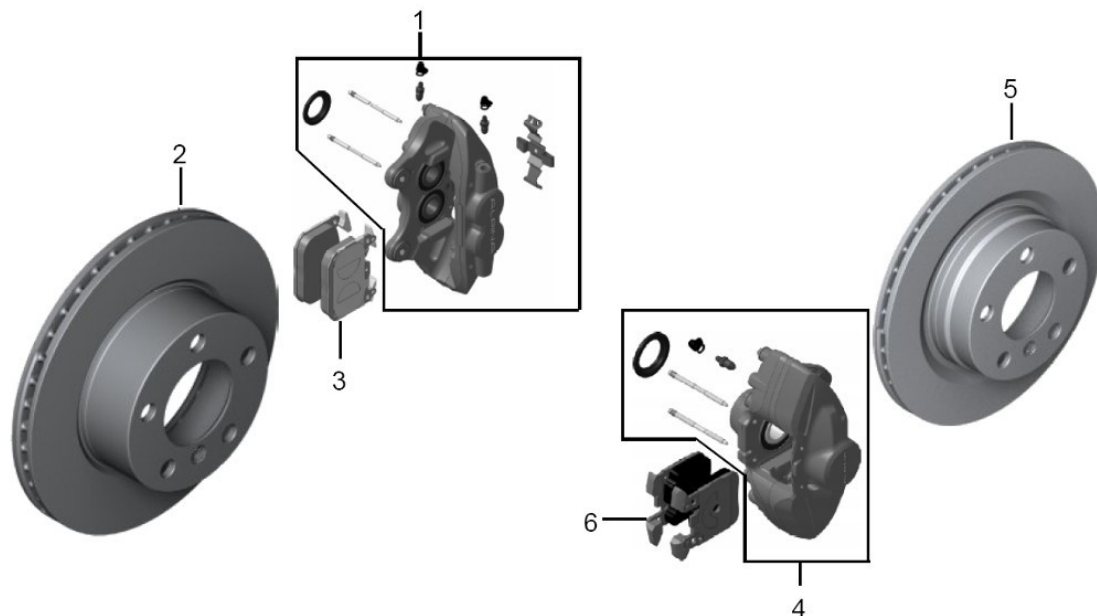
POS	Expression	Part number	B3 L	B3 T	R H D	A W D	REM
1	Axch. rear axle transmission 215LW i=2,81	33 10 7 603 760	1	1			
1	Rear axle transmission 215LW i=2,81 +Lock	33 10 158	1	1			a
1	Rear axle transmission 215LW i=2,81 +Lock	33 10 163	1	1			b
2	Output shaft left	33 20 7 597 689	1	1			a
2	Output shaft right	33 20 7 597 690	1	1			a
2	Output shaft left	33 20 7 597 685	1	1			b
2	Output shaft right	33 20 7 597 686	1	1			b

a) up to 07/15

b) 07/15 and up



POS	Expression	Part number	B3 L	B3 T	R H D	A W D	REM
1	Coil spring ALPINA specific	33 53 121	2	2			
1	Coil spring ALPINA specific	33 53 122	2	2			
1	Coil spring ALPINA specific	33 53 123	2	2			
1	Coil spring ALPINA specific	33 53 124	2	2			
1	Coil spring ALPINA specific	33 53 125	2	2			
1	Coil spring ALPINA specific	33 53 126	2	2			
2	VDC damper	37 12 6 852 927	2				
2	VDC damper	37 12 6 793 907		2			
3	additional damper 80/35	33 53 6 854 701	2	2			
4	Stabilizer 15 mm	33 55 6 853 476	1				
5	Stabilizer mount 15 mm	33 50 6 792 199	2				
4	Stabilizer 14 mm	33 55 6 853 475		1			
5	Stabilizer mount 14 mm	31 30 6 792 198		2			



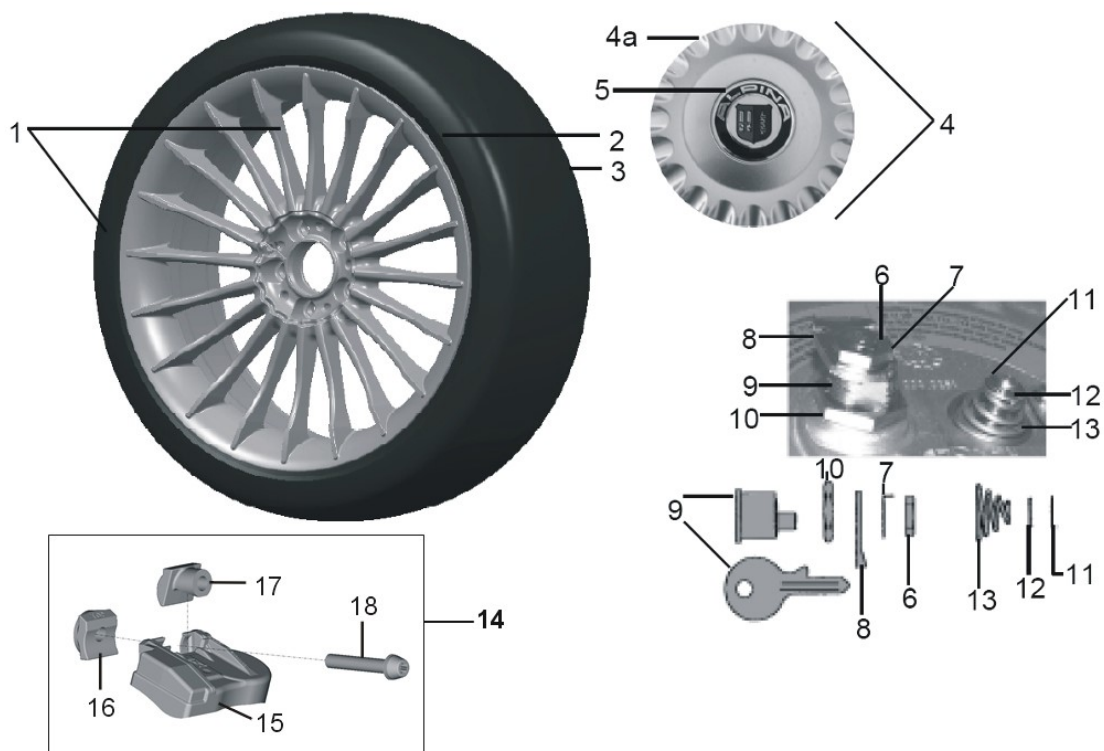
POS	Expression	Part number	B3 L	B3 T	R H D	A W D	REM
1	Fixed caliper FA left blue "ALPINA"	34 11 179	1	1			c
1	Fixed caliper FA right blue"ALPINA"	34 11 180	1	1			c
2	Brake disk FA	34 10 6 797 606	2	2			
3	Set Brake pads service FA	34 11 185	1	1			a
3	Set Brake pads service FA	34 11 6 865 460	1	1			b
4	Fixed caliper RA left blue "ALPINA"	34 21 119	1	1			c
4	Fixed caliper RA right blue "ALPINA"	34 21 120	1	1			c
5	Brake disk RA	34 20 6 894 382	2	2			
6	Set Brake pads service RA	34 21 6 876 422	1	1			f
6	Set Brake pads service RA up to 07/17	34 21 6 887 576	1	1			
o.A.	Brake pad wear sensor FA	34 35 6 792 289	1	1			

a) not for LA807 (Japan)

b) for LA807 (Japan)

c) RAL 5002

f) up to 07/17

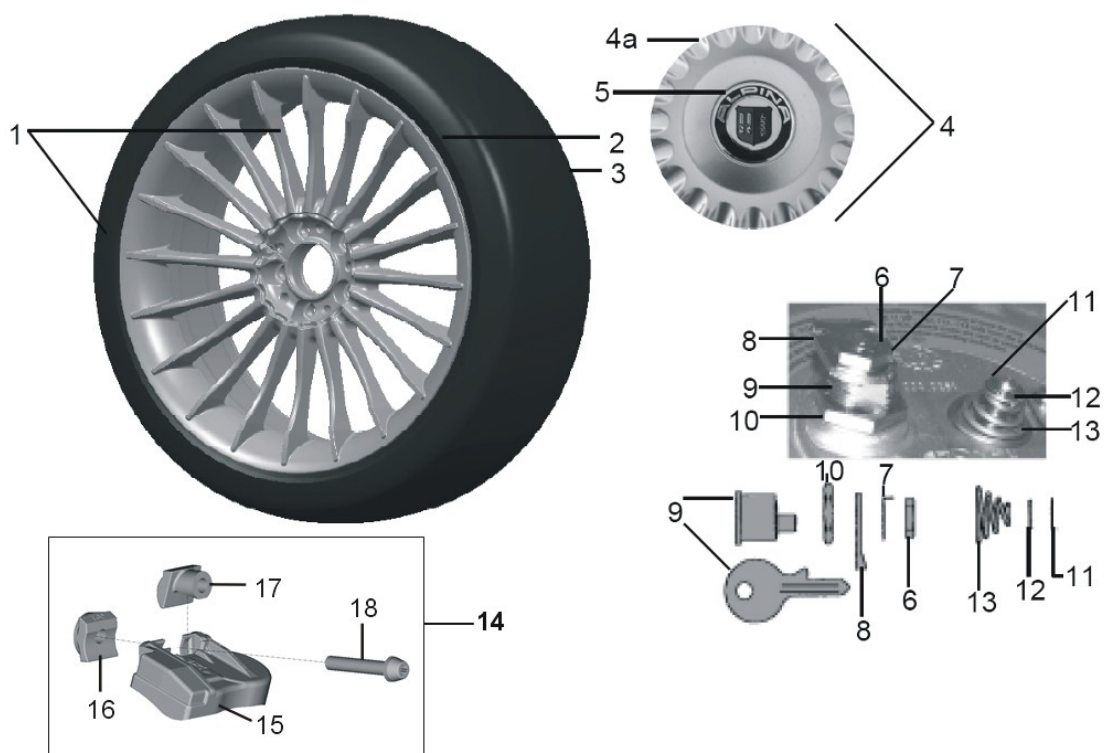


POS	Expression	Part number	B3 L	B3 T	R H D	A W D	REM
1	Wheel 8x20" ET36 245/30ZR20 PS4S	36 14 009	2	2			
1	Wheel 9x20" ET47 265/30ZR20 PS4S	36 14 010	2	2			
1	Wheel 8x20" ET36 245/30ZR20 PS4S RDCi	36 14 011	2	2			
1	Wheel 9x20" ET47 265/30ZR20 PS4S RDCi	36 14 012	2	2			
2	Alloy rim 8x20" ET36 EH2+	36 11 244	2	2			
2	Alloy rim 9x20" ET47 EH2+	36 11 245	2	2			
3	Tires FA/RA	a. Anfr./on req.	2	2			
4	Rim cover complete	36 10 064	4	4			
4a	Rim cover w/o emblem and accessories	36 13 116	4	4			
5	ALPINA emblem with support	36 13 135	4	4			
6	Nut SW12	36 13 123	4	4			a
7	Locking plate	36 13 122	4	4			a
8	Locking lever	36 13 120	4	4			a
9	Set lock with nut and lever	36 13 119	1	1			
10	Nut SW19	36 13 125	4	4			a
11	Hex nut M4	07 28 014	4	4			b
12	Washer	07 33 019	4	4			b

a) contained in pos. 9

b) contained in pos. 5

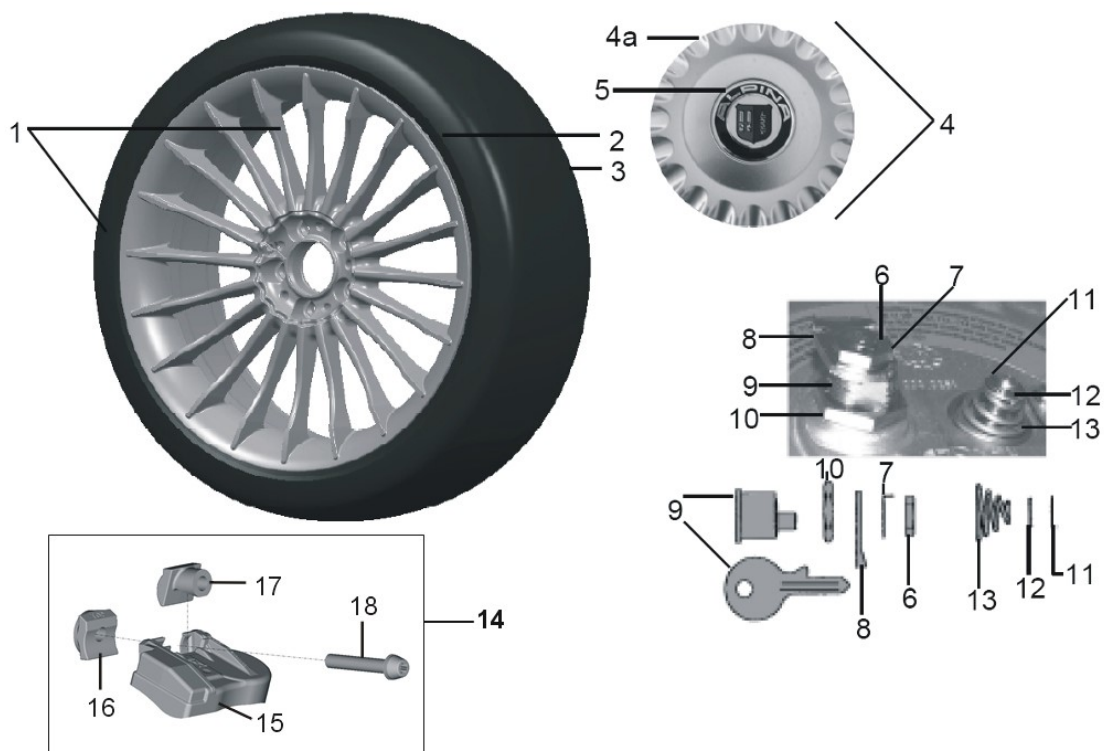
c) only SA2VB



POS	Expression	Part number	B3 L	B3 T	R H D	A W D	REM
13	Spring	36 13 124	4	4			b
14	Set RDCi	36 10 100	4	4			c
16	Washer	36 10 103	4	4			c
17	clamping pieces	36 10 102	4	4			c
18	Inner torx screw M5x30	36 10 104	4	4			c

a) contained in pos. 9  
c) only SA2VB

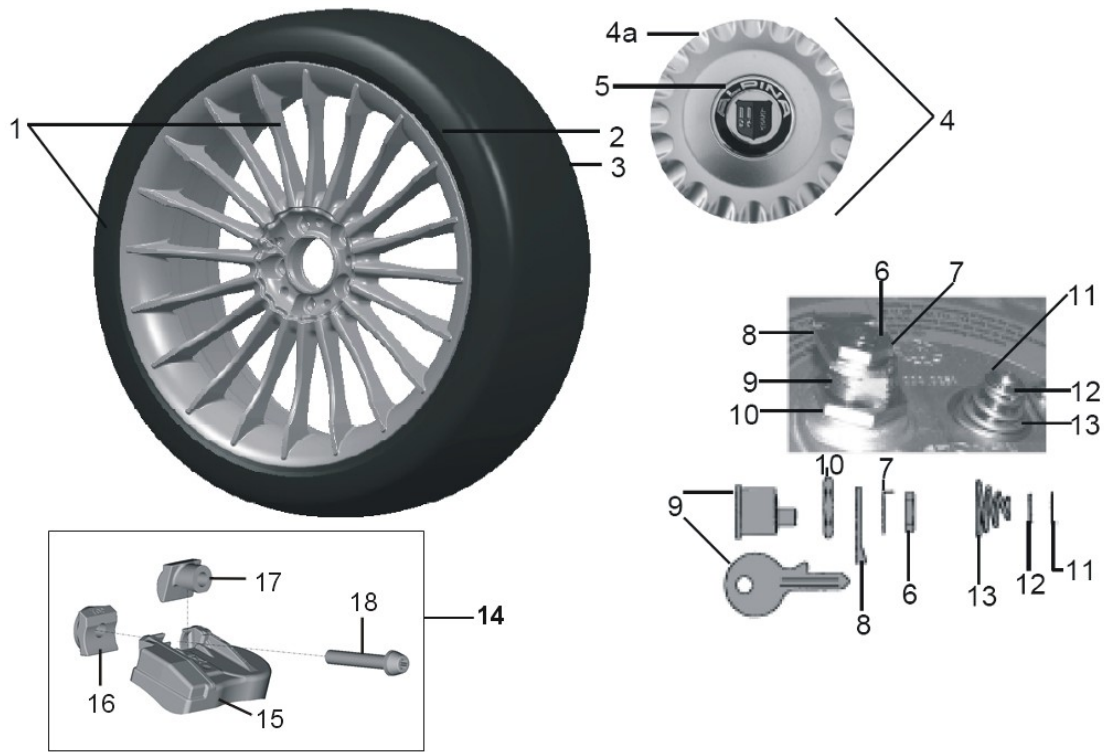
b) contained in pos. 5



POS	Expression	Part number	B3 L	B3 T	R H D	A W D	REM
1	Wheel 8x19" ET36 245/35R19 PA3	36 12 904	2	2		R	
1	Wheel 9x19" ET47 245/35R19 PA3	36 12 905	2	2		R	
1	Wheel 8x19" ET36 245/35R19 PA3 RDCi	36 12 915	2	2		R	
1	Wheel 9x19" ET47 245/35R19 PA3 RDCi	36 12 916	2	2		R	
2	Alloy rim 8x19" ET36 EH2+	36 11 248	2	2		R	
2	Alloy rim 9x19" ET47 EH2+	36 11 249	2	2		R	
3	Tires FA/RA	a. Anfr./on req.	2	2			
4	Rim cover complete	36 10 064	4	4			
4a	Rim cover w/o emblem and accessories	36 13 116	4	4			
5	ALPINA emblem with support	36 13 135	4	4			
6	Nut SW12	36 13 123	4	4			a
7	Locking plate	36 13 122	4	4			a
8	Locking lever	36 13 120	4	4			a
9	Set lock with nut and lever	36 13 119	1	1			
10	Nut SW19	36 13 125	4	4			a
11	Hex nut M4	07 28 014	4	4			b
12	Washer	07 33 019	4	4			b

a) included at pos. 9  
c) only SA2VB

b) included at pos. 5

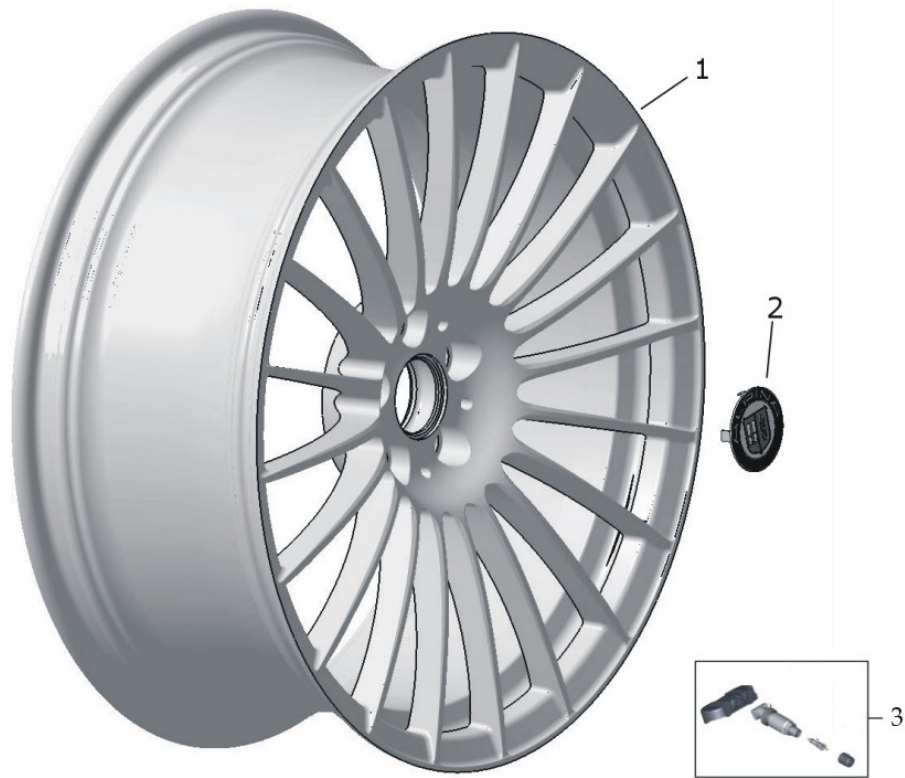


POS	Expression	Part number	B3 L	B3 T	R H D	A W D	REM
13	Spring	36 13 124	4	4			b
14	Set RDCi	36 10 100	4	4			c
15	Wheel electronic modul RDCi	36 10 6 856 209	4	4			c
16	Washer	36 10 103	4	4			c
17	clamping pieces	36 10 102	4	4			c
18	Inner torx screw M5x30	36 10 104	4	4			c

a) included at pos. 9  
c) only SA2VB

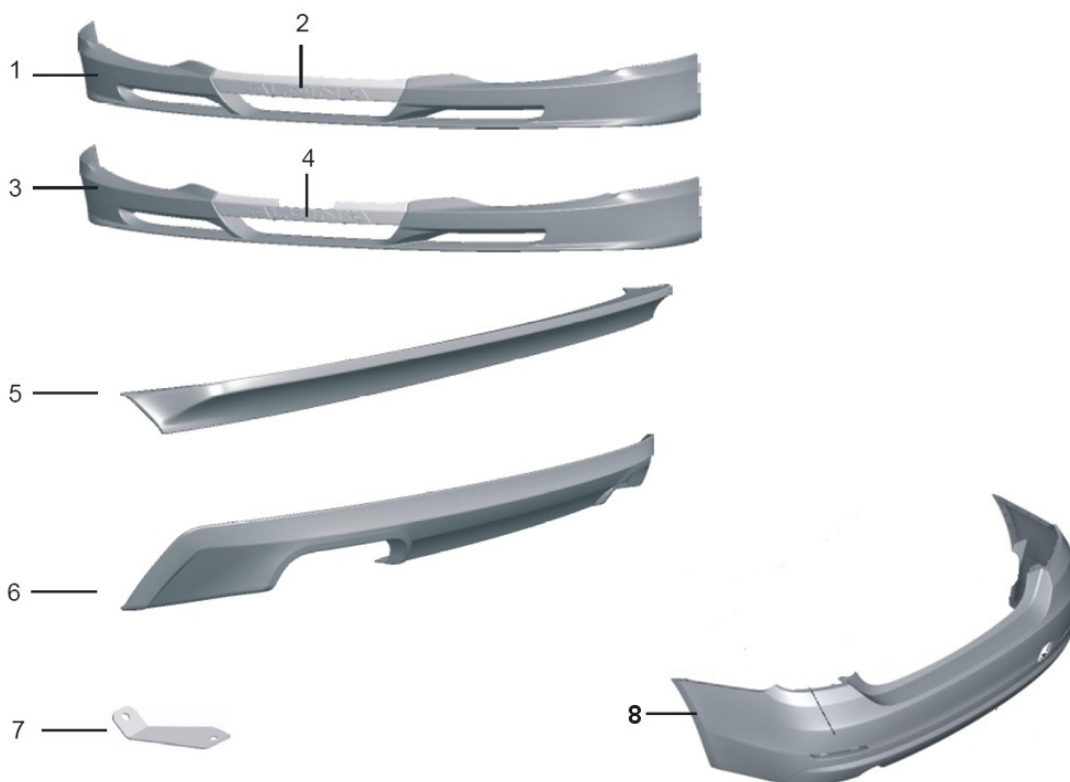
b) included at pos. 5





POS	Expression	Part number	B3 L	B3 T	R H D	A W D	REM
1	Forged rim 8x20"	36 11 258	2	2			
1	Forged rim 9x20"	36 11 259	2	2			
o.A.	Tyre 245/30 ZR20 Michelin PS4S	36 12 384	2	2			
o.A.	Tyre 265/30 ZR20 Michelin PS4S	36 12 385	2	2			
2	Wheel hub cover	36 13 128	4	4			
3	Wheel electronic module RDC 433 MHz	36 10 6 881 890	4	4			a

a) Tyre pressure display S2VBA = yes



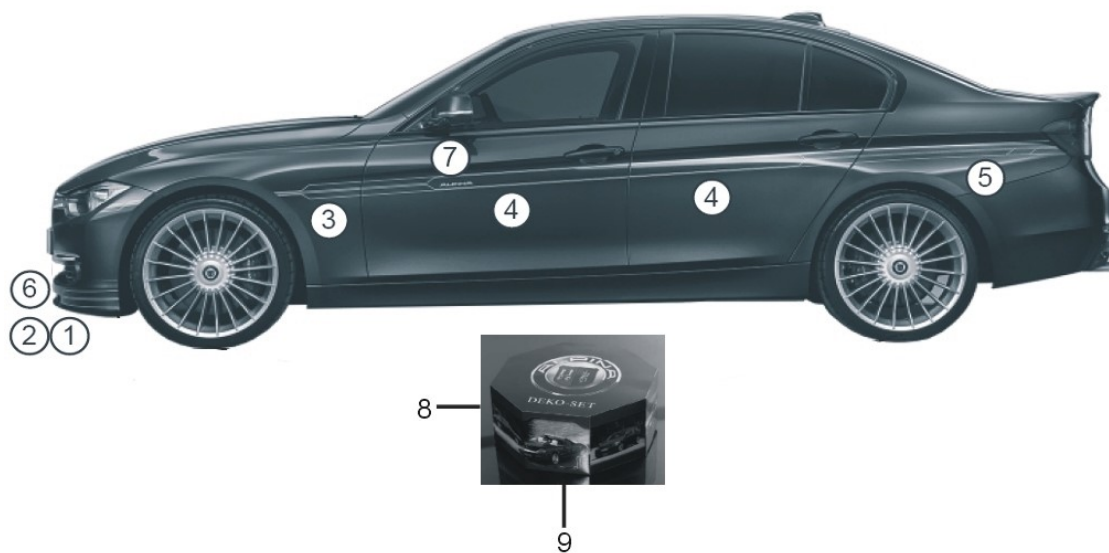
POS	Expression	Part number	B3 L	B3 T	R H D	A W D	REM
1	Front spoiler type 556 w/o ACC	41 00 554	1	1			
2	Insert front spoiler w/o ACC	41 00 557	1	1			a
3	Frontspoiler type 556 bei ACC	41 00 555	1	1			
4	Insert front spoiler with ACC	41 00 558	1	1			b
o.A.	Expanding rivet for fastening insert	51 11 1 908 077	2	2			
5	Rear spoiler type 570	41 00 569	1				
6	Panel rear bumper primed	51 00 353	1				
6	Panel rear bumper primed	51 00 354		1			
7	Stiffening rear bumper left	51 00 847	1	1			c
o.A.	Distance bushing rear panel center	51 00 400	1	1			d
o.A.	Distance bushing rear outer panel	51 00 401	2	2			d
o.A.	Screw	07 14 9 110 670	3	3			d
8	Rear bumper	51 00 838	1				
8	Rear bumper PDC	51 00 839	1				
8	Rear bumper	51 00 840		1			
8	Rear bumper PDC	51 00 841		1			

a) included at pos. 1

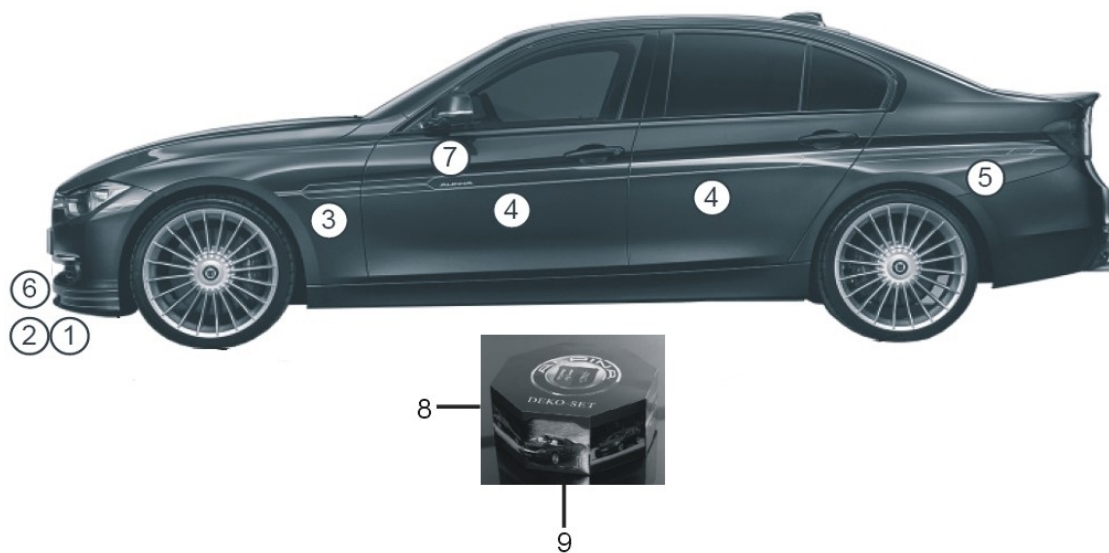
b) Included at pos. 3

c) Only with SA3AC (Trailer coupling)

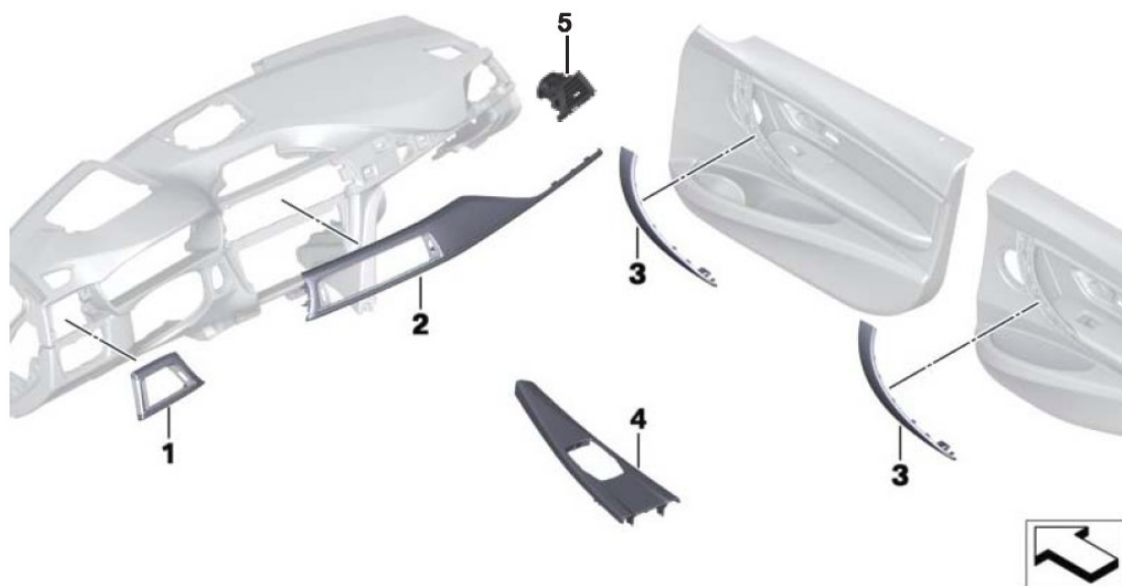
d) Fastening Rear bumper panel



POS	Expression	Part number	B3 L	B3 T	R H D	A W D	REM
1	Rhomb Front spoiler left silver	41 00 955	1	1			
2	Rhomb Front spoiler right silver	41 00 956	1	1			
1	Rhomb Front spoiler left gold	41 00 957	1	1			
2	Rhomb Front spoiler right gold	41 00 958	1	1			
3	Rhomb front left silver	41 00 253	1	1			
3	Rhomb front right silver	41 00 252	1	1			
3	Rhomb front left gold	41 00 247	1	1			
3	Rhomb front right gold	41 00 246	1	1			
4	Rhomb middle left silver	41 00 255	2	2			
4	Rhomb middle right silver	41 00 254	2	2			
4	Rhomb middle left gold	41 00 249	2	2			
4	Rhomb middle right gold	41 00 248	2	2			
5	Rhomb rear left silver	41 00 257	1	1			
5	Rhomb rear right silver	41 00 256	1	1			
5	Rhomb rear left gold	41 00 251	1	1			
5	Rhomb rear right gold	41 00 250	1	1			
6	Lettering front spoiler silver	51 00 225	1	1			

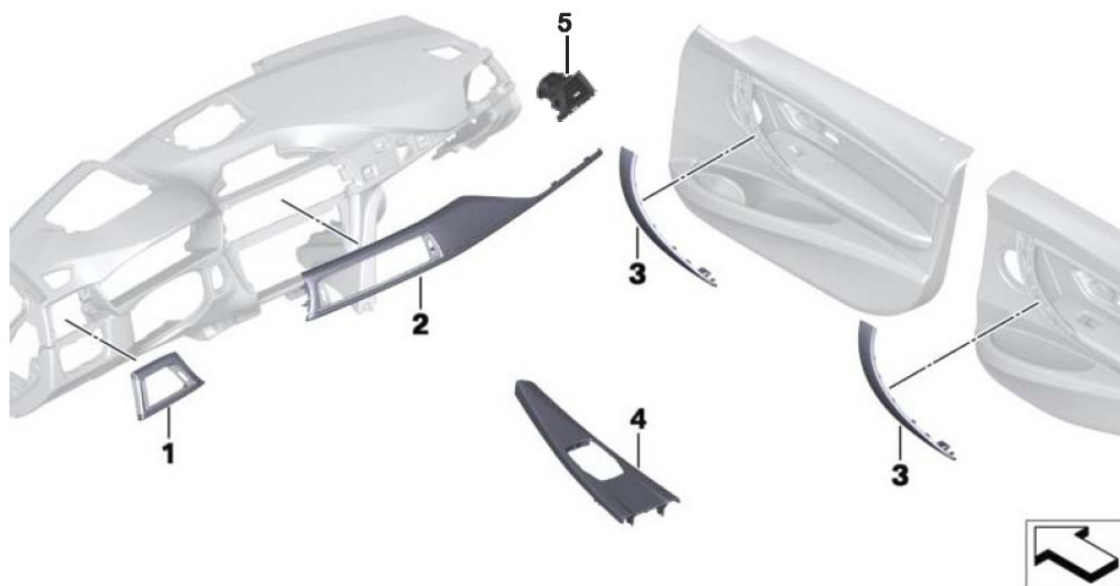


POS	Expression	Part number	B3 L	B3 T	R H D	A W D	REM
6	Lettering front spoiler gold	51 00 224	1	1			
7	Lettering side silver	51 00 065	2	2			
7	Lettering side gold	51 00 064	2	2			
8	Decorative stripping set no. 1 silver	41 10 012	1	1			
8	Decorative stripping set no. 1 gold	41 10 011	1	1			
9	Decorative stripping set no. 4 silver	41 10 010	1	1			
9	Decorative stripping set no. 4 gold	41 10 009	1	1			



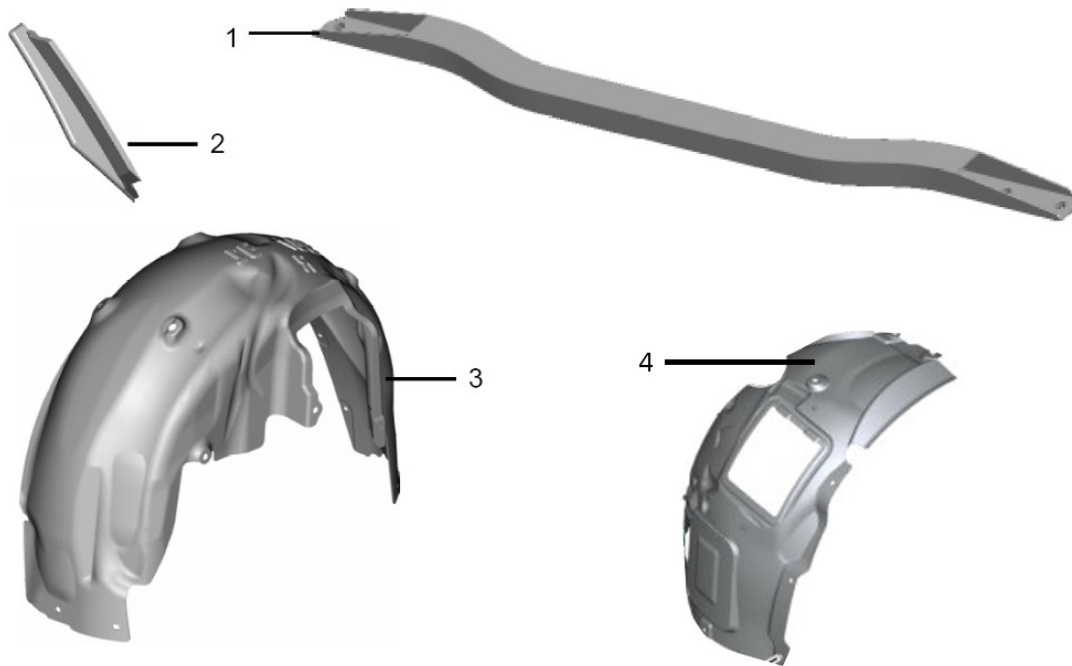
POS	Expression	Part number	B3 L	B3 T	R H D	A W D	REM
1	Trim drivers side	51 45 160	1	1	L		a
1	Trim drivers side	51 45 162	1	1	R		a
2	Trim passenger side	51 45 161	1	1	L		a
2	Trim passenger side	51 45 163	1	1	R		a
3	Trim handle left	51 41 280	2	2			
3	Trim handle right	51 41 281	2	2			
4	Trim centre console	51 16 181	1	1	L		
4	Trim centre console	51 16 182	1	1	R		
5	Air grille passenger side	64 22 9 218 550	1	1	L		
5	Air grille passenger side	64 22 9 231 970	1	1	R		

a) to 07/15

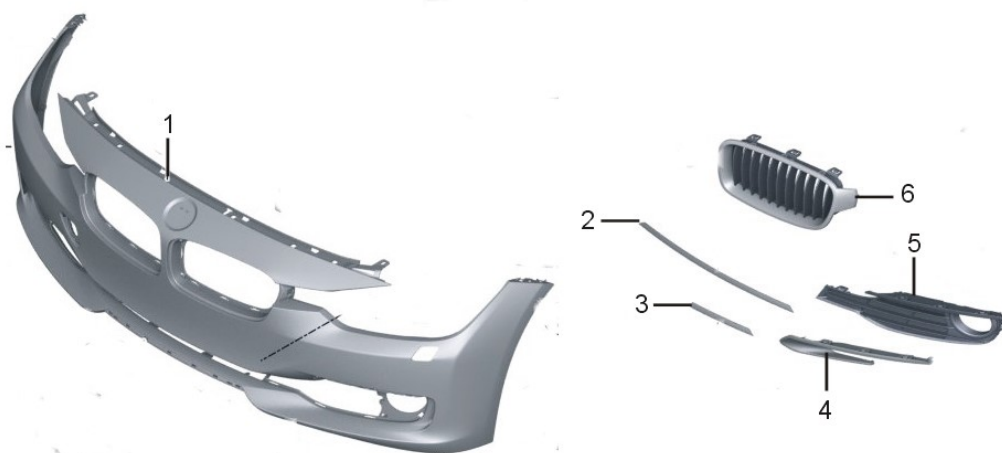


POS	Expression	Part number	B3 L	B3 T	R H D	A W D	REM
1	Trim drivers side	51 45 164	1	1	L		a
1	Trim drivers side	51 45 167	1	1	R		a
2	Trim passenger side	51 45 158	1	1	L		a
2	Trim passenger side	51 45 159	1	1	R		a
3	Trim handle left	51 41 282	2	2			
3	Trim handle right	51 41 283	2	2			
4	Trim centre console	51 16 183	1	1	L		
4	Trim centre console	51 16 184	1	1	R		
5	Air grille passenger side	64 22 9 218 550	1	1	L		
5	Air grille passenger side	64 22 9 231 970	1	1	R		

a) to 07/15



POS	Expression	Part number	B3 L	B3 T	R H D	A W D	REM
1	Cross brace front end	51 64 645	1	1			
2	Wheel cover rear left	41 00 105	1	1			
2	Wheel cover rear right	41 00 106	1	1			
3	Wheel arch rear left	51 71 154	1	1			
4	Wheel arch front left open	51 71 7 260 727	1	1			
4	Wheel arch front right open	51 71 7 260 728	1	1			



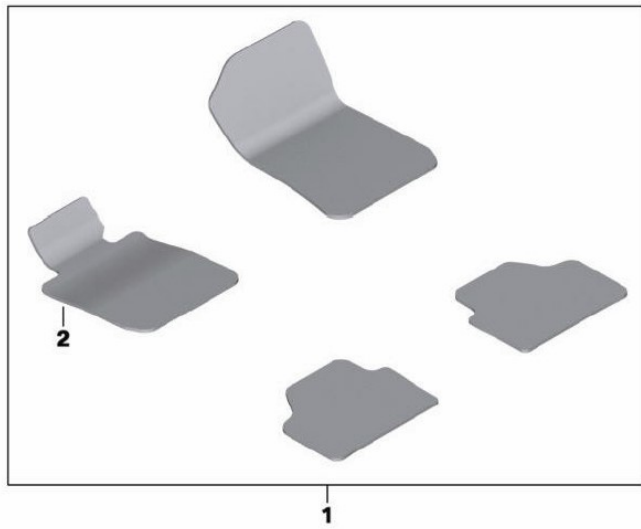
POS	Expression	Part number	B3 L	B3 T	R H D	A W D	REM
	Trim front bumper according ALPINA mounting instruction!		i	i			
1	Panel, bumper	51 11 7 293 030	1	1			a,c
1	Panel, bumper	51 11 7 293 022	1	1			b,c
3	Finisher, center, left, luxury	51 11 7 296 375	1	1			
3	Finisher, center, righth, luxury	51 11 7 296 376	1	1			
4	Air inlet finisher, left, luxury	51 11 7 279 697	1	1			
4	Air inlet finisher, righth, luxury	51 11 7 279 698	1	1			
5	Open grid left	51 11 7 292 731	1	1			
5	Open grid righth	51 11 7 292 732	1	1			
6	Grill, front, left, luxury	51 13 7 263 481	1	1			
6	Grill, front, righth, luxury	51 13 7 263 482	1	1			

a) -SA502, +SA508, +SA5DL, +SA5DP, +P7S2

b) +SA502 +SA508, +SA5DL, +SA5DP, +P7S2

c) To attend the BMW SA





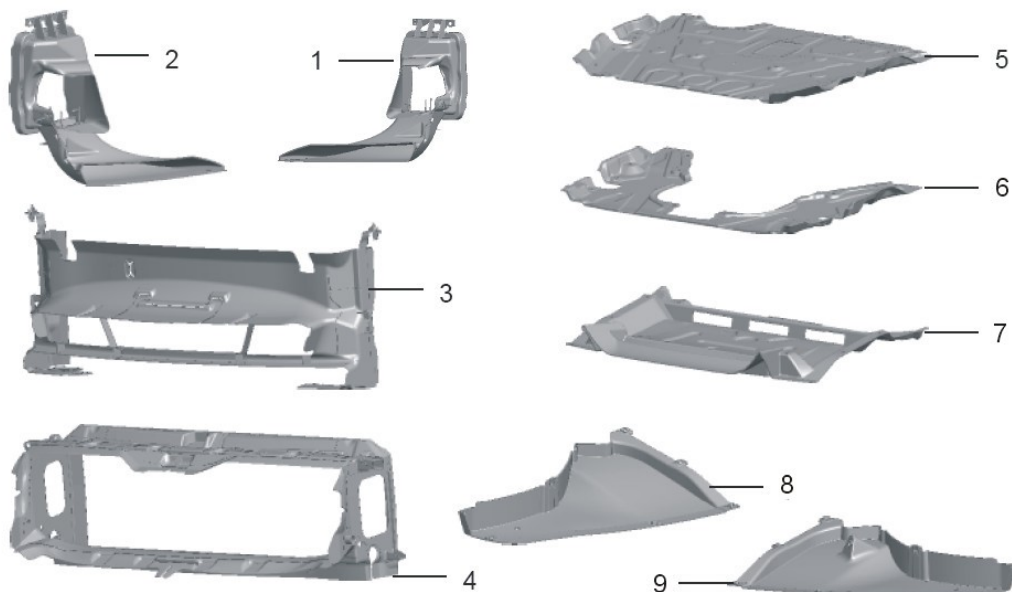
POS	Expression	Part number	B3 L	B3 T	R H D	A W D	REM
1	Set floor mats	51 43 840	1	1	L	R	
1	Set floor mats	51 43 841	1	1	R	R	
1	Set floor mats	51 43 844	1	1		A	
2	Floor mat drivers side	51 43 842	1	1	L	R	
2	Floor mat drivers side	51 43 843	1	1	R	R	
2	Floor mat drivers side	51 43 845	1	1		A	
3	Trunk mat anthrazit	51 43 300	1				
3	Trunk mat anthrazit	51 43 301		1			



POS	Expression	Part number	B3 L	B3 T	R H D	A W D	REM
1	ALPINA lettering	51 00 246	1	1			
2	lettering "B3 BITURBO"	51 00 299	1	1			
3	door trim panel front	51 47 147	2	2			
4	door trim panel rear left	51 47 149	1	1			
4	door trim panel rear right	51 47 150	1	1			
5	production plate	76 00 330	1			R	
5	production plate	76 00 337		1		R	
5	production plate	76 00 347	1			A	
5	production plate	76 00 346		1		A	
6	mounting production plate	51 00 310	1	1			a
6	mounting production plate	51 00 415	1	1			b
i.V.	expanding rivet	51 16 1 881 149	2	2			a

a) not with SA 6NW Wireless Charging

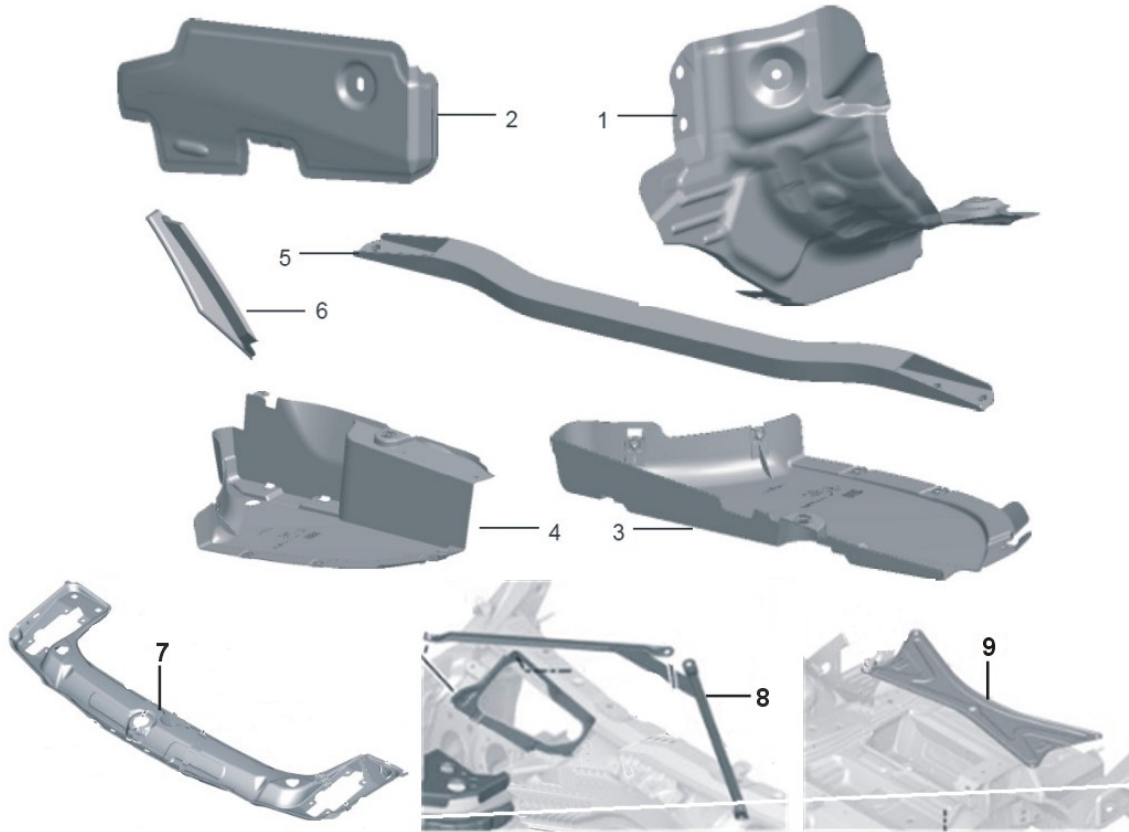
b) with SA 6NW Wireless Charging



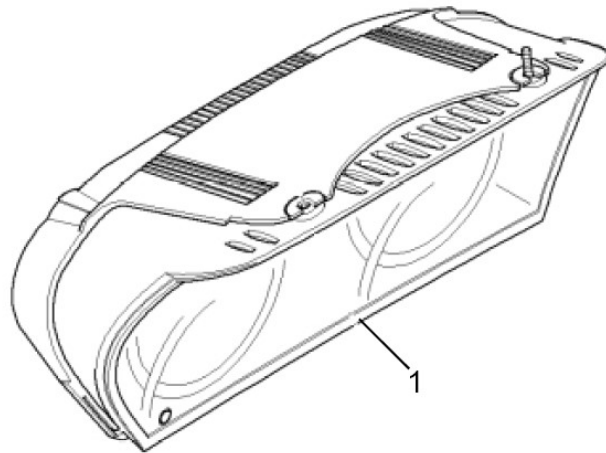
POS	Expression	Part number	B3 L	B3 T	R H D	A W D	REM
1	air guide ext. coolant cooler left	51 74 117	1	1			
2	air guide ext. oil cooler right	51 74 118	1	1			
3	lower air guide center	51 74 121	1	1			
@3	Hex screw M6x20	07 11 9 903 995	2	2			
4	air guide water cooler	51 74 122	1	1			
5	cover engine compartment front rear	51 75 003	1	1		R	
6	cover engine compartment front rear	51 75 011	1	1		A	
7	cover engine compartment front	51 75 004	1	1		R	a
7	cover engine compartment front	51 75 027	1	1		R	b
7	cover engine compartment front	51 75 012	1	1		A	a
7	cover engine compartment front	51 75 021	1	1		A	b
@ 7	hex screw M6x20	07 11 9 903 995	2	2		A	
@ 7	C-Clip	07 14 7 286 036	2	2			
8	lower left cover	51 75 007	1	1			
8	lower right cover	51 75 008	1	1			
o.A.	bracket engine cover	51 75 7 241 820	3	3			

a) up to 03/14, to fit with intercooler 17 50 103

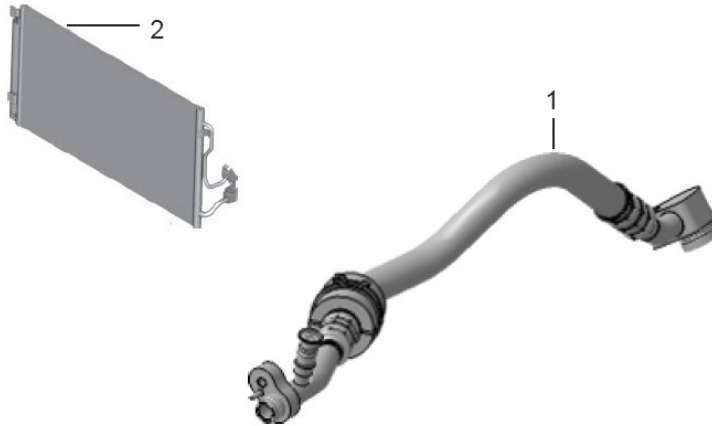
b) from 03/14, to fit with intercooler 17 50 115



POS	Expression	Part number	B3 L	B3 T	R H D	A W D	REM
1	heat cover front wall right	51 48 102	1	1			
2	heat cover battery carrier	51 48 105	1	1			
3	underfloor paneling rear right	51 75 014	1	1			
4	underfloor paneling rear left	51 75 015	1	1			
5	cross brace front end	51 64 645	1	1			
6	wheel cover rear left	41 00 105	1	1			
6	wheel cover rear right	41 00 106	1	1			



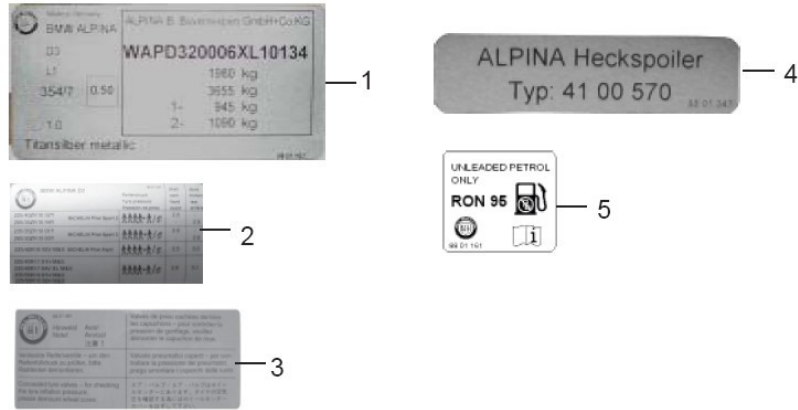
POS	Expression	Part number	B3 L	B3 T	R H D	A W D	REM
1	Cluster gauge km/h	62 10 294	1	1			A
1	Cluster gauge km/h	62 10 316	1	1			



POS	Expression	Part number	B3 L	B3 T	R H D	A W D	REM
1	Suction line evaporator/compressor	64 53 100	1	1			a
1	Suction line evaporator/compressor	64 53 101	1	1			b
2	Condensator B16	64 50 6 804 721	1	1			

a) R134A

b) R1234YF



POS	Expression	Part number	B3 L	B3 T	R H D	A W D	REM
1	identification sticker	88 01 102	1	1			
2	tire pressure label	88 01 352	1			R	
2	tire pressure label	88 01 364	1			A	
2	tire pressure label	88 01 354		1		R	
2	tire pressure label	88 01 365		1		A	
3	label "Invisible valves"	88 01 081	1	1			
4	label rear spoiler	88 01 343	1				
5	label Super Plus 98 ROZ	88 01 160	1	1			
5	label Unleaded Petrol 95 RON	88 01 161	1	1			a
6	label "Japanmodell"	88 01 110	1	1			

a) for LA 812 Great Britain



POS	Expression	Part number	B3 L	B3 T	R H D	A W D	REM
1	owner's handbook german	88 03 609	1	1			
1	owner's handbook englisch	88 03 610	1	1			
1	owner's handbook russian	88 03 652	1	1			
2	briefcase	76 00 173	1	1			
3	key tag	51 00 296	1	1			
4	briefcase	76 00 276	1	1			
5	compressor puncture kit	71 10 6 792 688	1	1			
6	tire sealant bottle	71 10 2 282 826	1	1			
o.A.	bag for puncture kit	71 10 108	1	1			