



Parts catalogue

B7 BITURBO G12



**B7 BITURBO 03/16-
B7 BITURBO AWD 03/16-**

Only ALPINA parts and not clear perceptible BMW parts which are different to the basic car are listed. For BMW parts the BMW parts catalogue has to be used. The abbreviations used in several columns on the text lines have the following meanings:

1. item column (POS): picture number equal to the shown part, o.A. = not pictured

2. expression column

3. part number column

4. model column: wanted quantity; x = quantity is required

5. RHD-column: RHD-vehicle

R = only for RHD-vehicle L = only for LHD vehicle

6. AWD - column: A = only for all wheel vehicle, R = only for rear wheel drive vehicle

7. remarks column (REM): a, b, c, ... country specification, use from/ up to, other informations

A: part number exchangeable with the one mentioned in the next line

E: part Number is cancelled

W: part number is used alternatively by the one standing either before it or afterwards (also marked with „W“)

The illustrations in this catalogue do not correspond to the original size and shape!

Base engine is the N63B44C (O2) from the BMW 750i (G12)/750iX (G12)

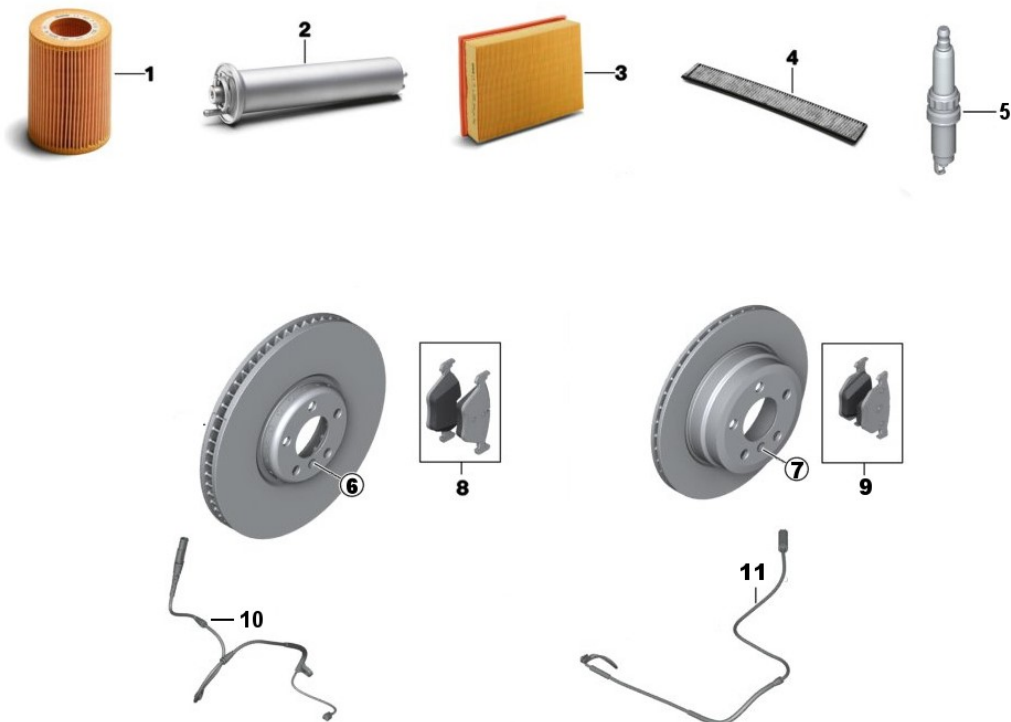
ALPINA vehicle name	BMW base model	Abbreviation	Base engine
B7 BITURBO 03/16-	7 Series G12 750Li	B7L	N63B44C (O2)
B7 BITURBO AWD 03/16-	7 Series G12 750LiX		N63B44C (O2)

Catalogue group overview

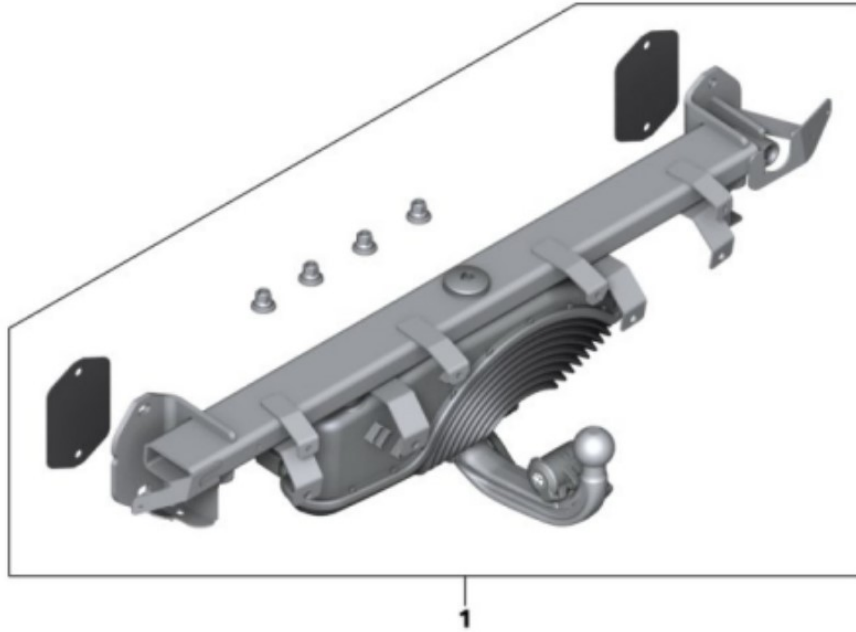
02 Scopes of service and repair work	32 Steering
03 Accessories and retrofits	33 Rear axle
11 Engine	34 Brakes
12 Engine electrical system	36 Wheels
13 Fuel preparation	41 Chassis
17 Cooling	51 Vehicle trim
18 Exhaust system	64 Heater Air conditioning
24 Automatic transmission	71 Mobility System
26 Drive shaft	88 Special parts
26 Drive shaft	
31 Front axle	

ALPINA BURKARD BOVENSIEPEN GMBH + CO. KG

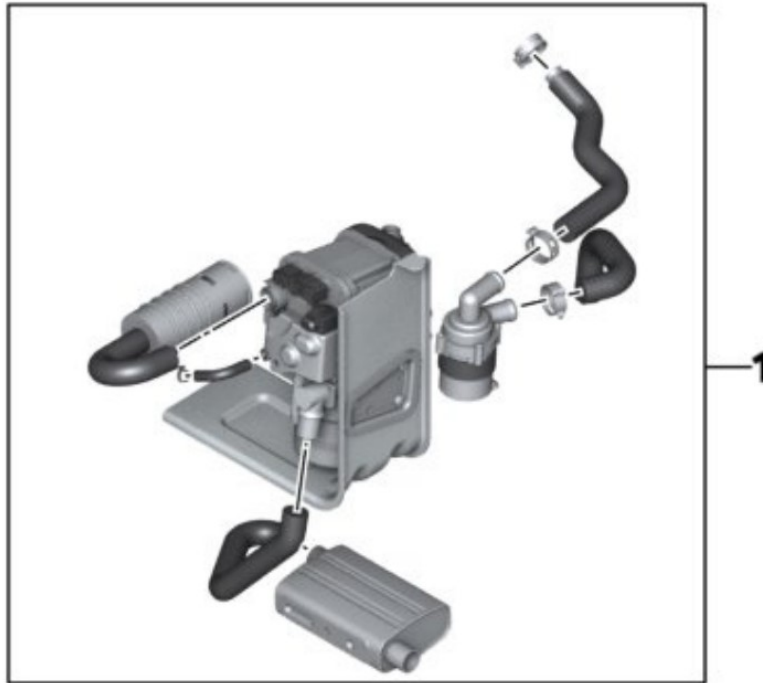
Alpenstraße 35-37 D-86807 Buchloe Tel. 08241/5005-0 Fax.08241/5005-155



POS	Expression	Part number	B7 L	R H D	A W D	REM
1	Set oil filter	11 42 7 583 220	1			
3	Air cleaner element 1-4	13 71 8 613 250	1			
3	Air cleaner element 5-8	13 71 8 613 251	1			
4	Microfilter/ Vapor canister	64 11 9 366 401	1			
5	Spark plug NGK SILZKBR8D8S	12 12 0 039 664	8			
6	Disc left FA 395x36	34 11 6 860 919	1			W
6	Disc left FA 395x36	34 11 6 887 397	1			
6	Disc left FA 395x36	34 11 6 860 920	1			W
6	Disc left FA 395x36	34 11 6 887 398	1			
7	Disc left RA 370x24	34 21 6 860 927	2			
8	Brake lining set FA	34 10 6 888 459	1			
9	Brake lining set RA	34 21 6 870 552	1			
10	Brake lining sensor FA	34 35 6 890 788	1			
11	Brake lining sensor RA	34 35 6 890 791	1			



POS	Expression	Part number	B7 L	R H D	A W D	REM
1	retrofitting tow hitch not possible		i			



POS	Expression	Part number	B7 L	R H D	A W D	REM
1	Mouting instruction auxiliary heater en	88 03 847	1			a

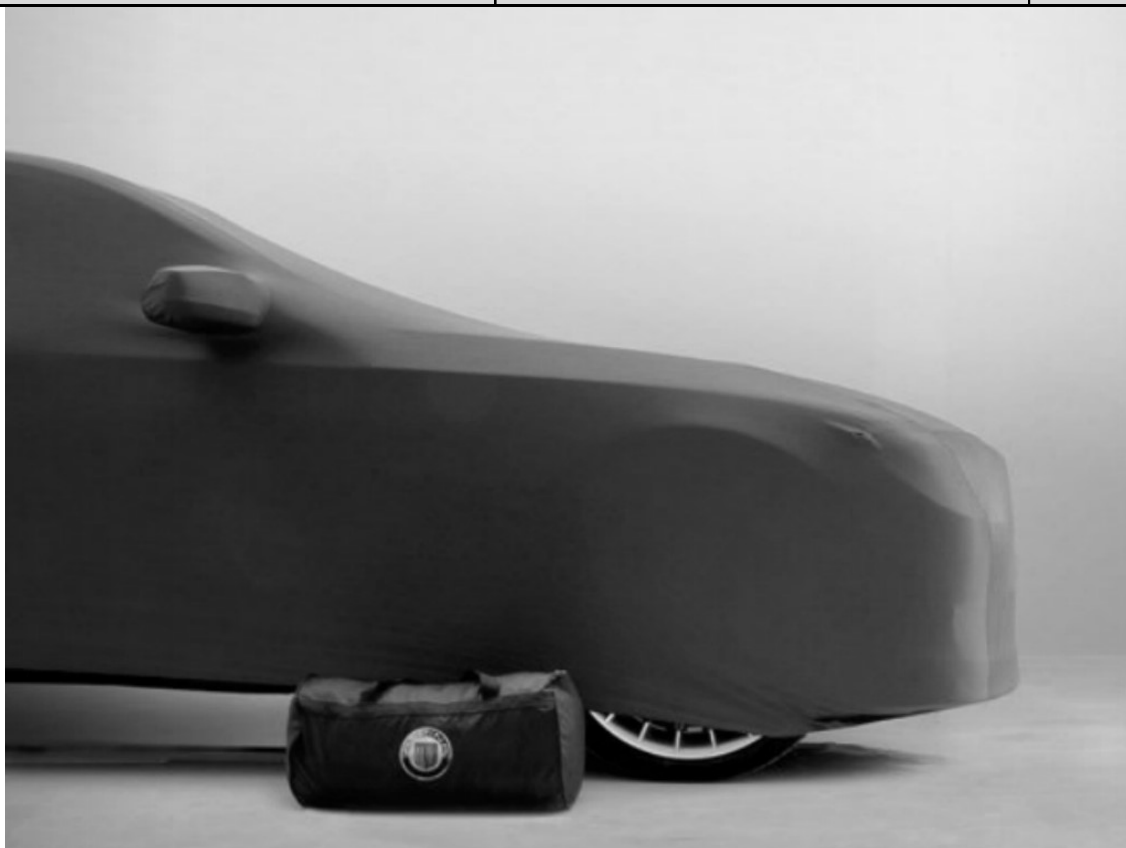
a) the parts is described in the mounting instrcution



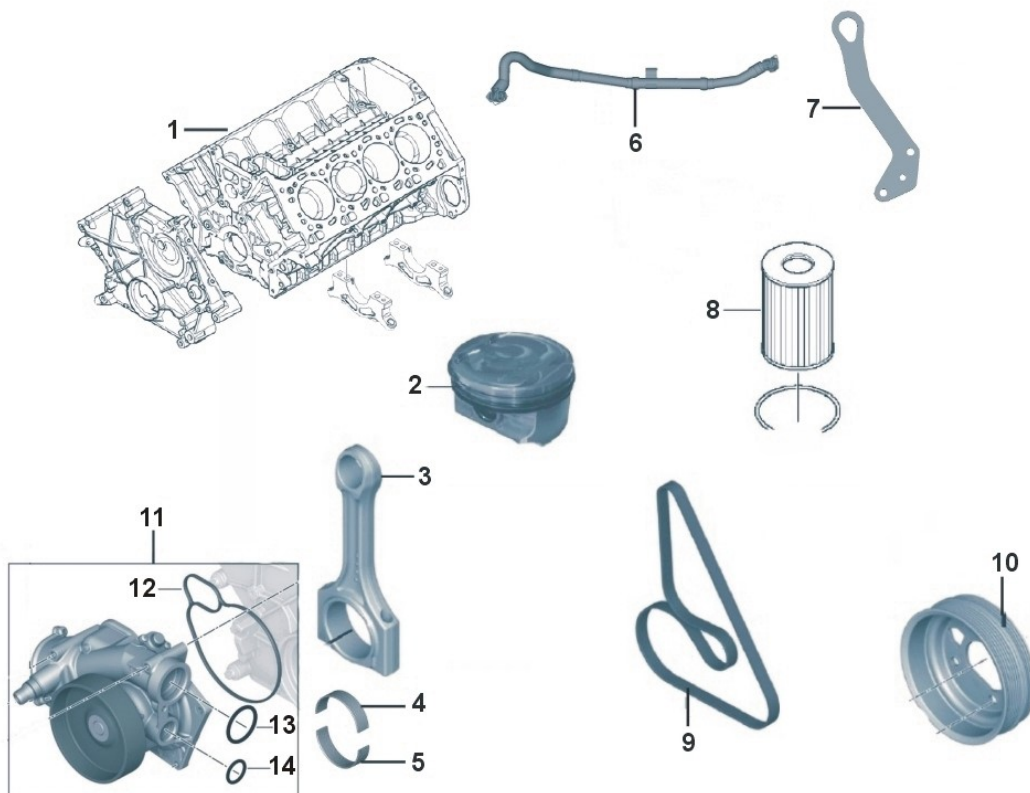
B7 BITURBO G12

03 Car cover

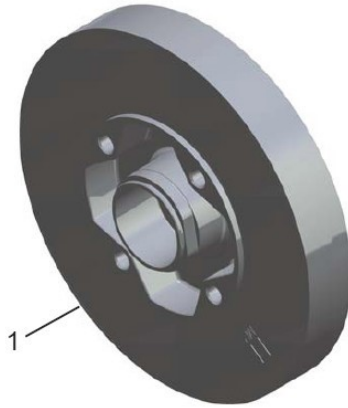
Sheet 1



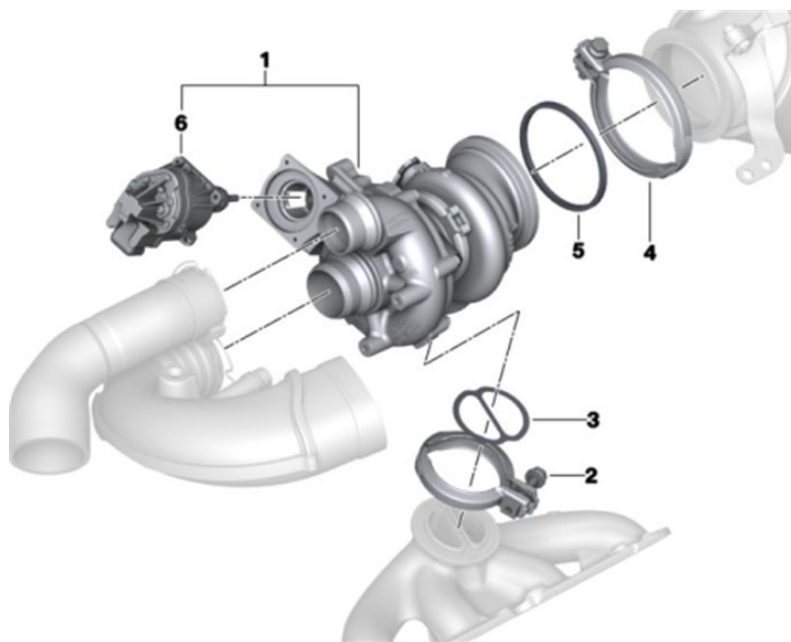
POS	Expression	Part number	B7 L	R H D	A W D	REM
1	car cover	76 00 575	1			



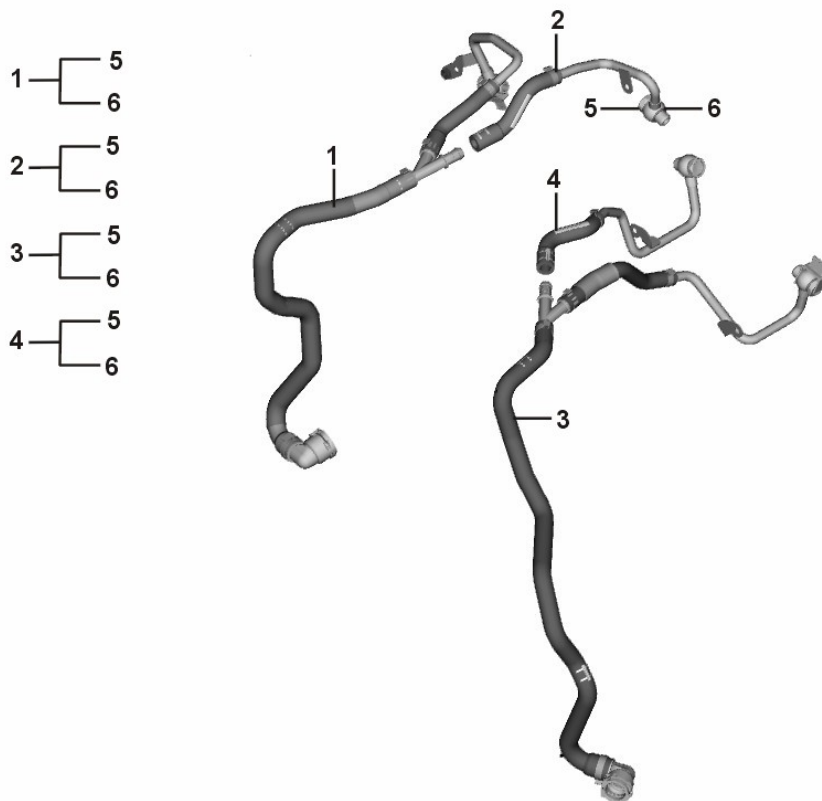
POS	Expression	Part number	B7 L	R H D	A W D	REM
1	Crankcase without pistons	11 11 8 600 981	1			
2	Piston	11 25 854	8			
3	Piston pin	11 24 7 843 237	8			
4	Bearing shell green (54,00mm)	11 24 8 094 852	8			
5	Bearing shell brown (54,00mm)	11 24 8 094 853	8			
6	Suction tube traverse	11 15 602	1			
7	Shackle cyl. 1-4	11 12 668	1			
8	Set oil filter element	11 42 7 583 220	1			
9	V - Belt whater pump/generator/conditioning	11 28 7 631 824	1			
11	Coolant pump	11 51 8 642 290	1			
12	Profile-gasket	11 51 7 549 445	1			
13	O-ring 37,0x4 mm	11 51 7 572 792	1			
14	O-ring 22,0x3,5 mm	11 51 7 642 402	1			



POS	Expression	Part number	B7 L	R H D	A W D	REM
1	Vibration damper	11 23 621	1			

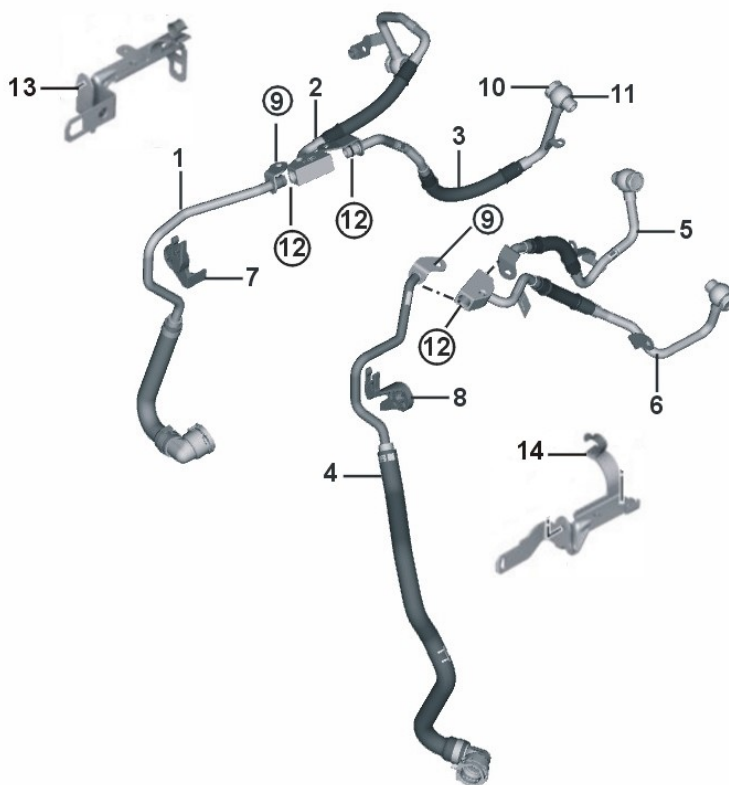


POS	Expression	Part number	B7 L	R H D	A W D	REM
1	Turbo charger	11 65 797	2			
2	V-band clamp	11 65 7 620 507	2			
3	Gasket	11 62 8 600 289	2			
4	V-band clamp	11 65 7 620 508	2			
5	Gasket	18 30 7 553 601	2			
6	Wastgate valve actuator	11 65 8 680 616	2			



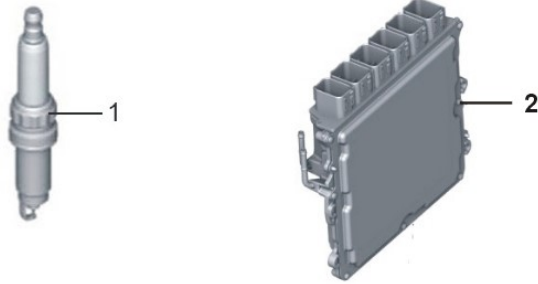
POS	Expression	Part number	B7 L	R H D	A W D	REM
1	Cooling line outlet cyl. 1-4	11 53 637	1			a
2	Cooling line outlet cyl. 1-4	11 53 8 697 260	1			a
3	Cooling line inlet cyl. 5-8	11 53 638	1			a
4	Cooling line inlet cyl. 1-4	11 53 8 697 261	1			a
5	Hollow bolt M14x26	11 53 8 607 960	x			
6	gasket ring A14x36-Cu	07 11 9 963 201	x			

a) Parts be cancelled, rebuild to state from 04/2018

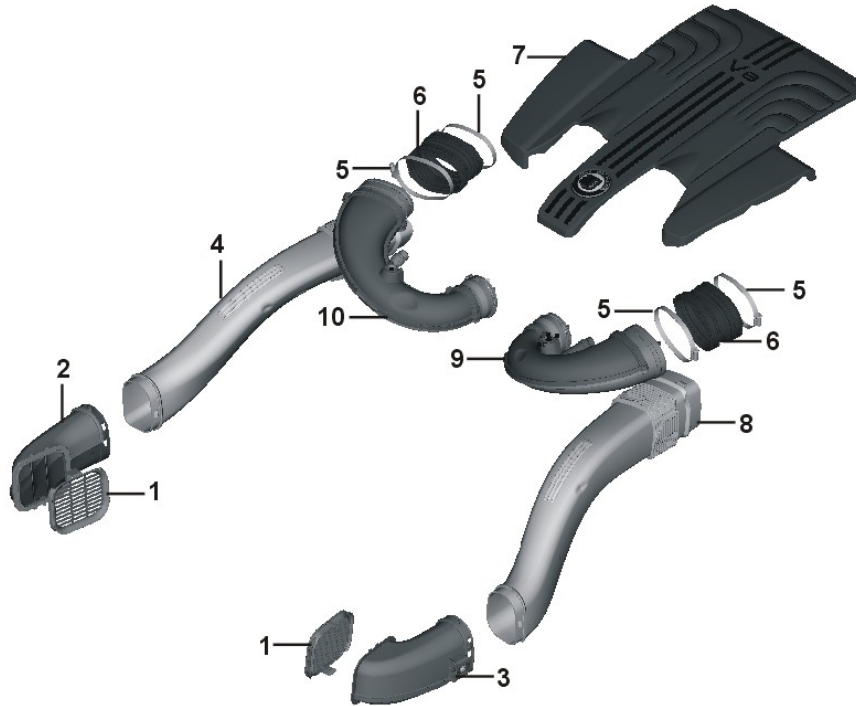


POS	Expression	Part number	B7 L	R H D	A W D	REM
1	Cooling line outlet cyl. 1-4	11 53 641	1			
2	Cooling line outlet cyl. 1-4	11 53 8 485 578	1			
3	Cooling line outlet cyl. 5-8	11 53 9 896 893	1			
4	Cooling line inlet	11 53 645	1			
5	Cooling line inlet cyl. 1-4	11 53 9 896 890	1			
6	Cooling line inlet cyl. 5-8	11 53 8 485 156	1			
7	Bracket cooling line to intercooler	11 53 648	1			a
8	Bracket cooling line to intercooler	11 53 647	1			a
9	ISA srcew M6x30	07 12 9 905 386	2			
10	Hollow bolt M14x26	11 53 8 607 960	x			
11	Gasket ring A14x36-Cu	07 11 9 963 201	x			
12	Gasket ring 9,7x1,5	11 53 9 896 372	4			
13	Bracket expansion tank	17 13 8 482 530	1			
14	Bracket expansion tank	17 13 8 482 531	1			

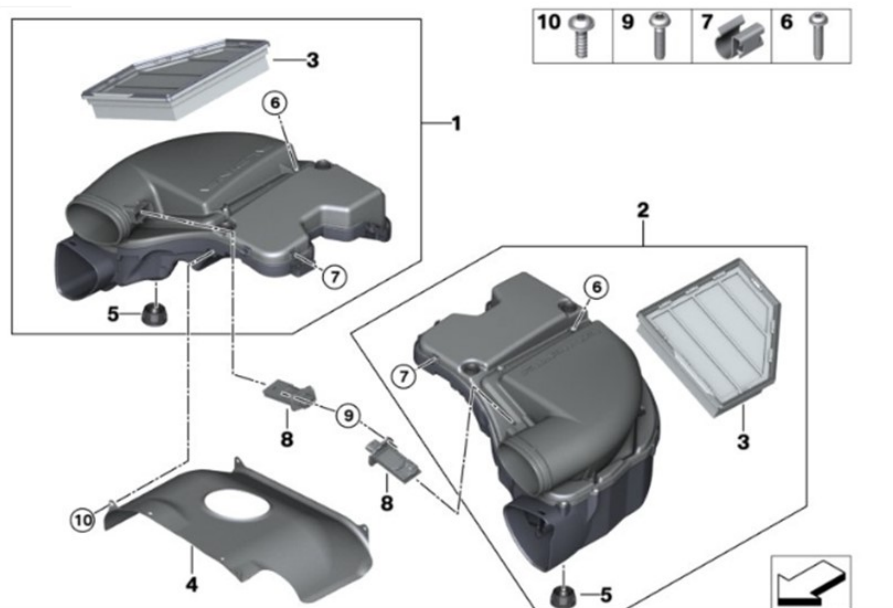
a) Fixed with charge-air cooler



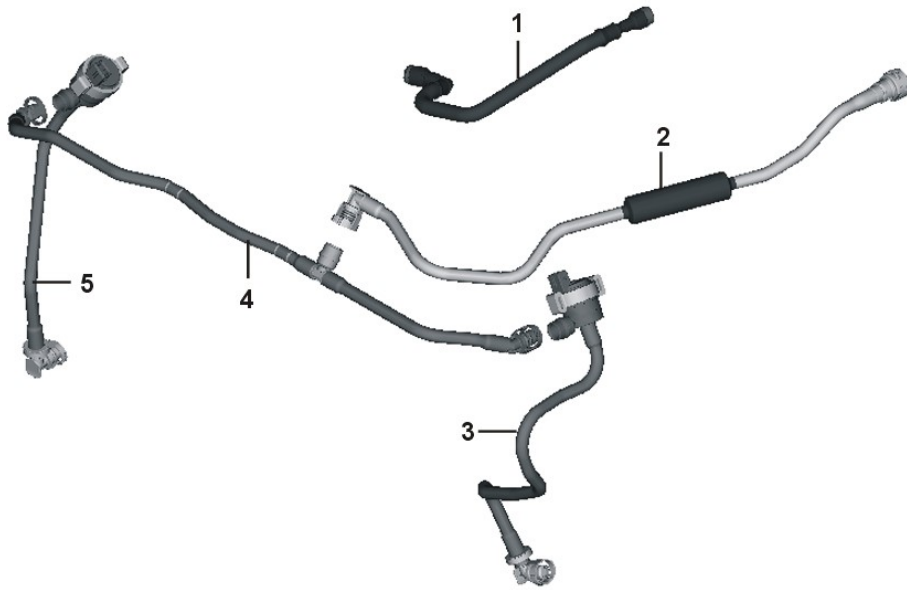
POS	Expression	Part number	B7 L	R H D	A W D	REM
1	spark plug NGK SILZKBR8D8S	12 12 0 039 664	8			
2	Basic control unit DME 880	12 14 8 489 447	1			



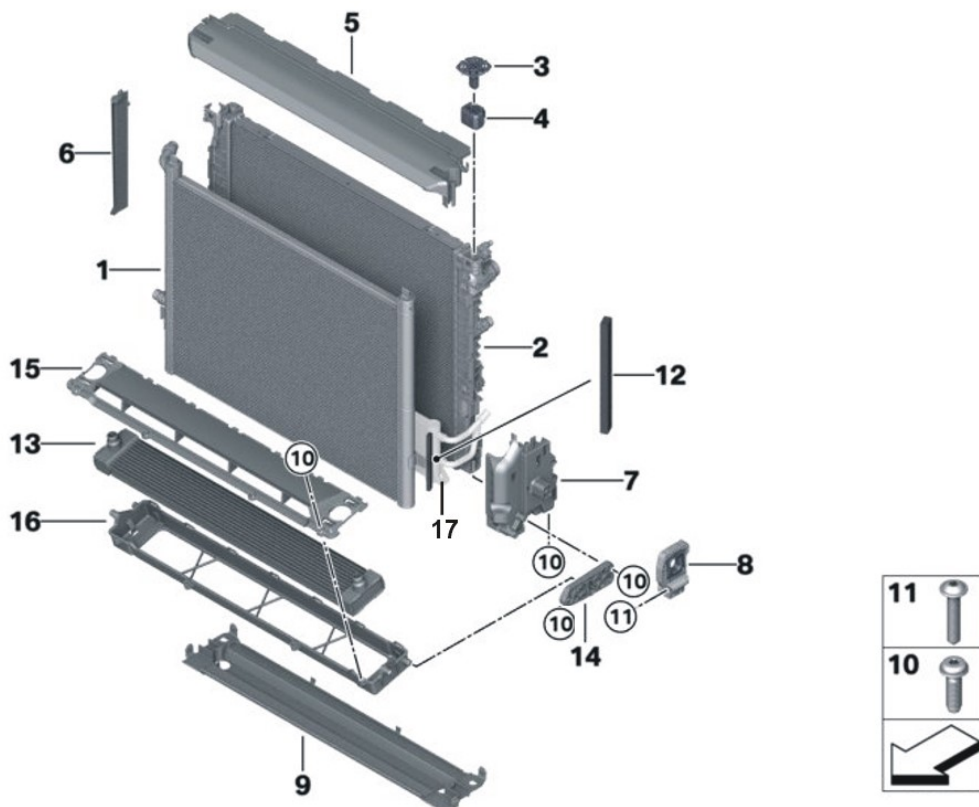
POS	Expression	Part number	B7 L	R H D	A W D	REM
1	Intake grille	13 71 8 613 145	2			
2	Intake duct cyl. 1-4	13 71 8 613 149	1			
3	Intake duct cyl. 5-8	13 71 8 613 148	1			
4	Unfiltered air duct cyl. 1-4	13 71 604	1			
5	Clamp 95-102	07 12 9 952 137	4			
6	Intake air boot	13 70 843	2			
7	Sound protection cap M3	13 71 607	1			
8	Unfiltered air duct cyl. 8-8	13 71 603	1			
9	Intake air manifold	13 71 611	1			
10	Intake air manifold	13 71 612	1			



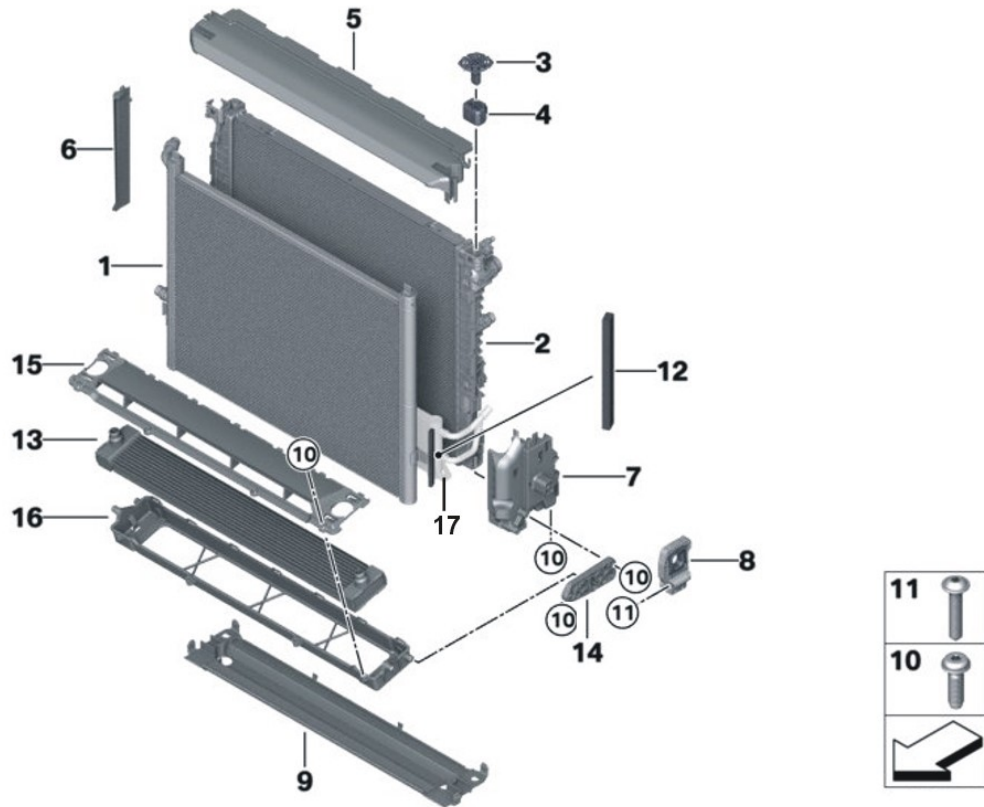
POS	Expression	Part number	B7 L	R H D	A W D	REM
1	Intake silencer cyl. 1-4	13 70 832	1			
2	Intake silencer cyl. 5-8	13 70 831	1			
3	Air filter element cyl. 1-4	13 71 8 613 250	1			
3	Air filter element cyl. 5-8	13 71 8 613 251	1			
4	Heat shield	13 70 844	1			
5	Rubber buffer	13 71 7 603 399	4			
6	Screw 5x26	07 12 9 908 744	5			
7	Cable clip	07 14 9 114 958	4			
8	Hot-film air mass meter	13 62 8 605 565	2			
9	Screw 4x16	07 12 9 907 551	4			
10	Torx screw 50x16	13 71 7 555 679	5			



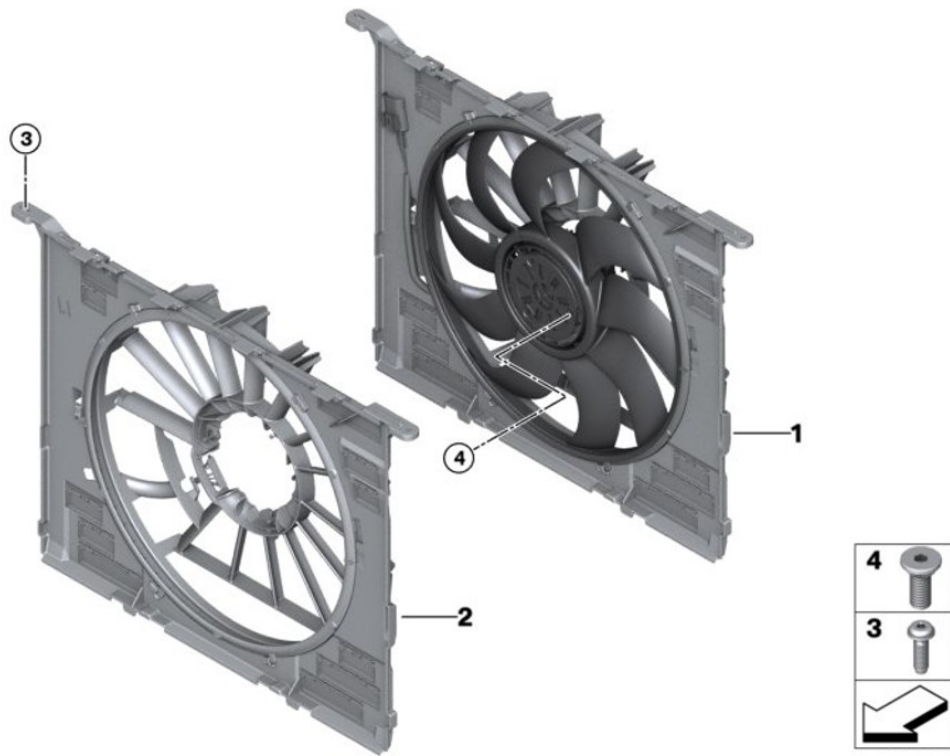
POS	Expression	Part number	B7 L	R H D	A W D	REM
1	Fuel hose	13 53 123	1			
2	Fuel tank breather line	13 90 629	1			
3	Fuel tank ventilation valve with pipe cyl. 5-8	13 90 627	1			
4	Fuel tank breather line	13 90 630	1			
5	Fuel tank ventilation valve with pipe cyl. 1-4	13 90 628	1			



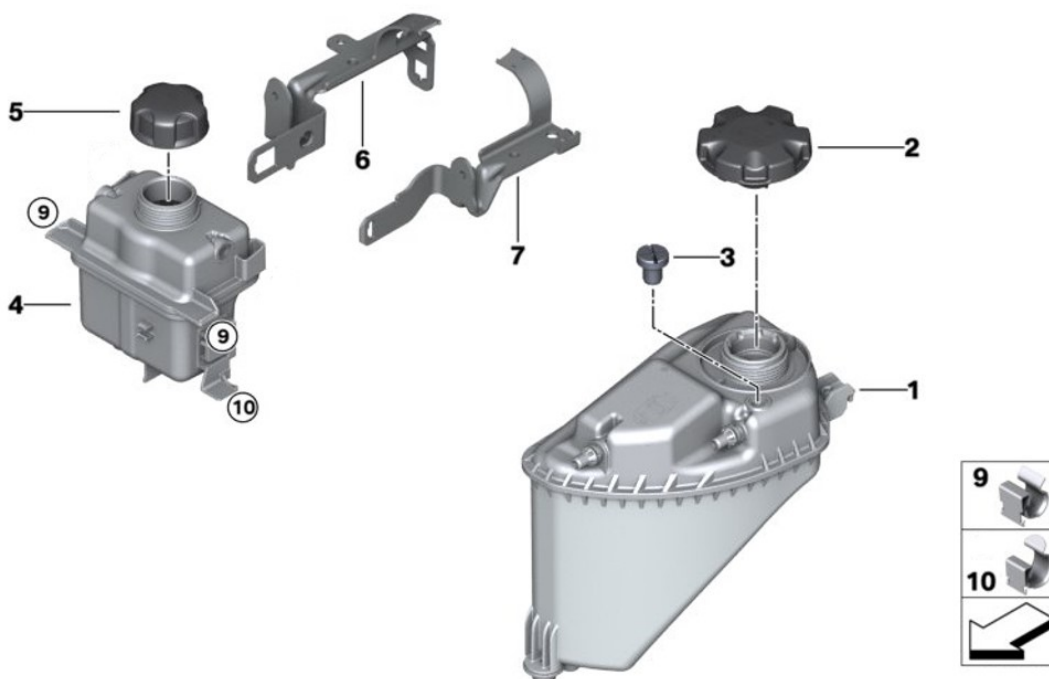
POS	Expression	Part number	B7 L	R H D	A W D	REM
1	Radiator	17 50 771	1			
2	Radiator	17 11 8 743 667	1			
3	Fastening elements	17 11 8 619 382	2			
4	Cooling module mounting, top	17 11 8 632 143	2			
5	Cover top	17 10 715	1			
6	Covering right	17 11 8 632 121	1			
6	Covering left	17 11 8 632 123	1			
7	Holder, module mounting, bottom right	17 10 722	1			
7	Holder, module mounting, bottom left	17 10 721	1			
8	Module mounting, left	17 11 8 632 141	1			
8	Module mounting, right	17 11 8 632 142	1			
9	Covering Lower	17 10 716	1			
10	Screw 6X20	07 12 9 907 489	13			
11	Fillister head screw M6X30 ZNS3	17 11 7 596 108	2			
12	Foam seal	17 11 8 632 400	3			
13	External radiator	17 10 713	1			
14	Bracket, additional cooler	17 10 719	2			



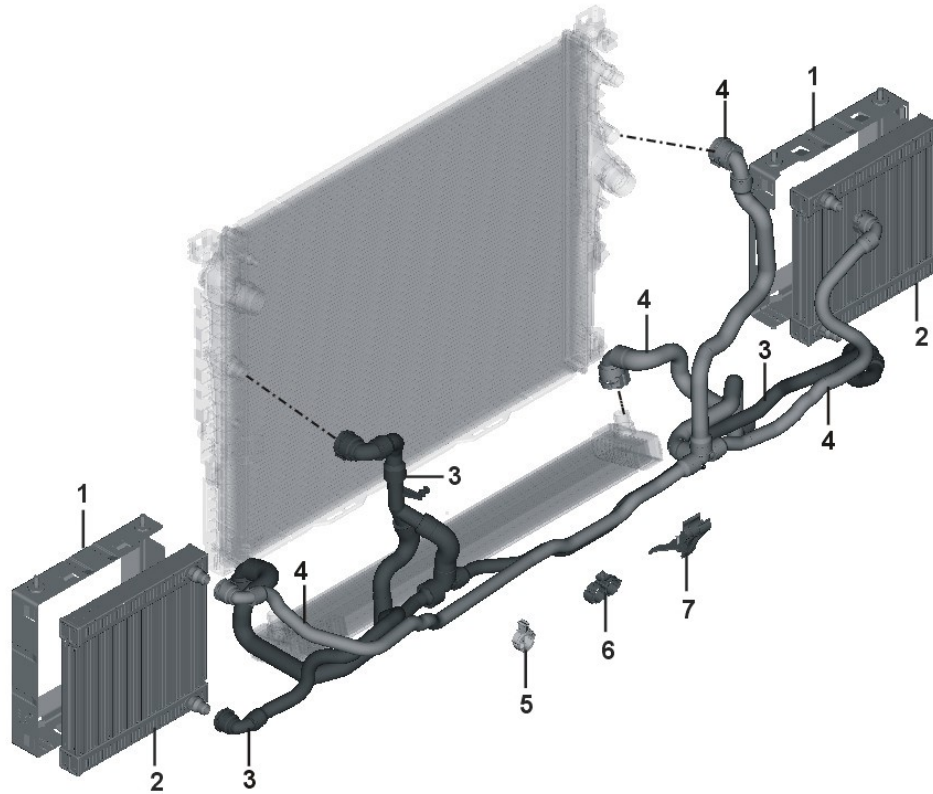
POS	Expression	Part number	B7 L	R H D	A W D	REM
15	Cover	17 10 720	1			
16	Cooler Frame	17 10 723	1			
17	Transmission oil cooler	17 21 611	1			



POS	Expression	Part number	B7 L	R H D	A W D	REM
1	Fan housing with fan 1000W	17 42 8 619 628	1			AE
1	Fan housing with fan 1000W	17 42 7 953 398	1			
2	Fan cowl with acoustic ring	17 42 8 638 432	1			
3	Screw TS 6X20 ZNS3	07 12 9 907 489	2			
4	Fillister head Screw M6x20	17 42 7 611 612	3			

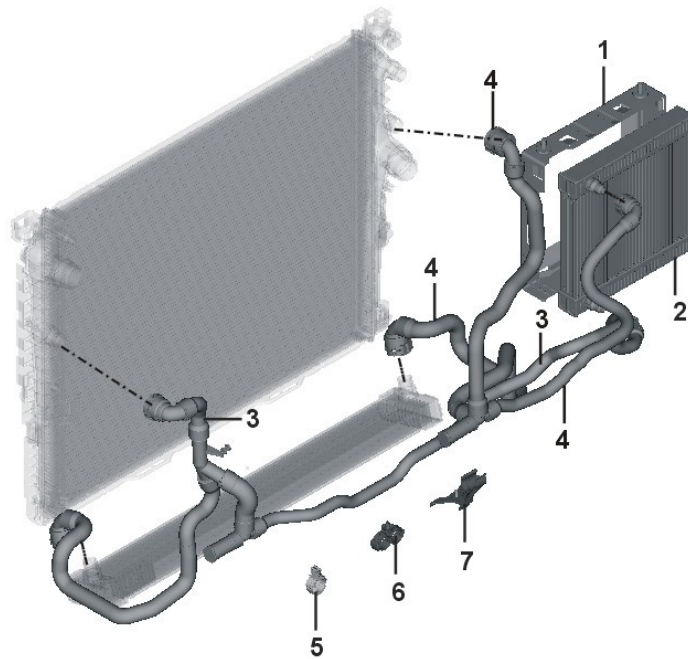


POS	Expression	Part number	B7 L	R H D	A W D	REM
1	Expansion tank	17 13 8 677 651	1			
2	Radiator cap	17 11 7 639 021	1			
3	Vent screw M10	11 53 7 793 373	1			
4	Expansion tank	17 13 626	1			
5	Cover lid	17 11 7 639 024	1			
6	Bracket, expansion tank right	17 13 8 628 705	1			
7	Bracket, expansion tank left	17 13 8 628 706	1			
9	Fixing clamp	12 52 7 578 321	2			
10	Cable clamp	11 78 7 549 563	1			



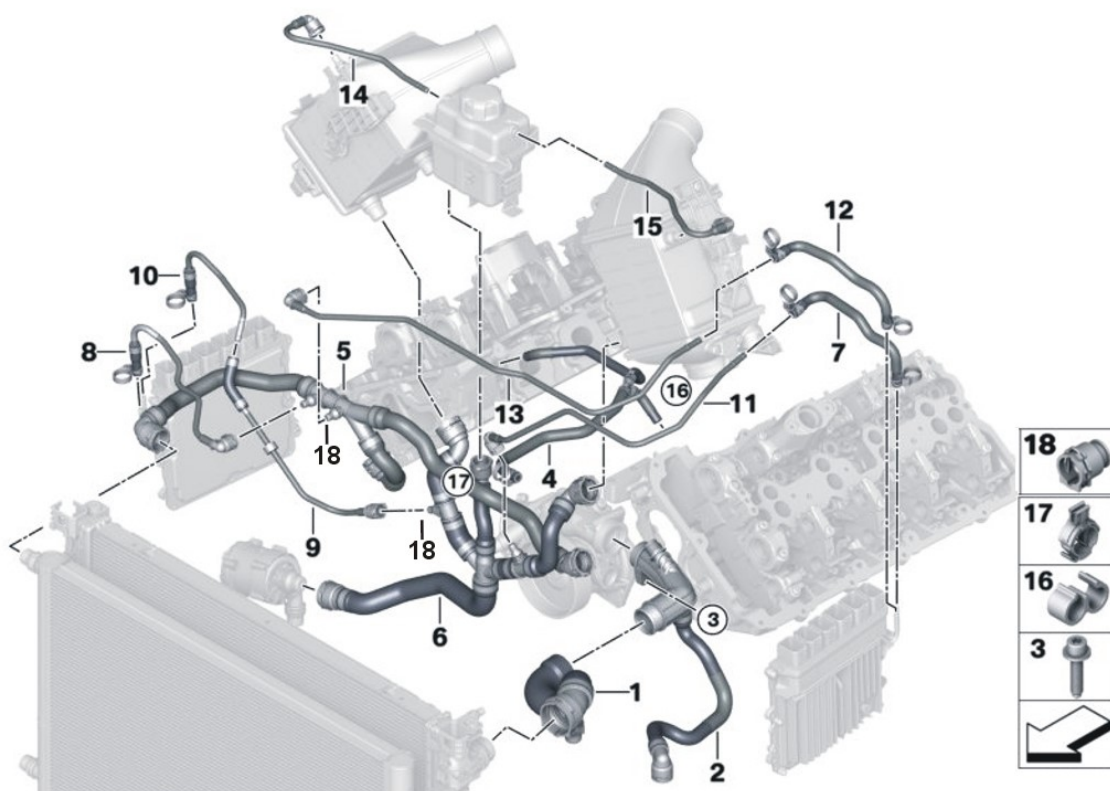
POS	Expression	Part number	B7 L	R H D	A W D	REM
1	Frame external radiator	17 11 8 619 624	2			a
2	External radiator	17 11 8 620 207	2			a
3	Hose, external radiator	17 12 667	1			a
4	Hose, external radiator	17 12 668	1			a
5	Hose clamp	17 12 7 599 703	1			
6	Hose clamp, double	32 41 7 849 652	2			
7	Holder, radiator	17 12 8 632 287	2			

a) Auxiliary heater S536A = no



POS	Expression	Part number	B7 L	R H D	A W D	REM
1	Frame external radiator	17 11 8 619 624	1			a
2	External radiator	17 11 8 620 207	1			a
3	Hose, external radiator	17 12 670	1			a
4	Hose, external radiator	17 12 673	1			a
5	Hose clamp	17 12 7 599 703	1			
6	Hose clamp, double	32 41 7 849 652	1			
7	Holder, radiator	17 12 8 632 287	2			

a) Auxiliary heater S536A = yes

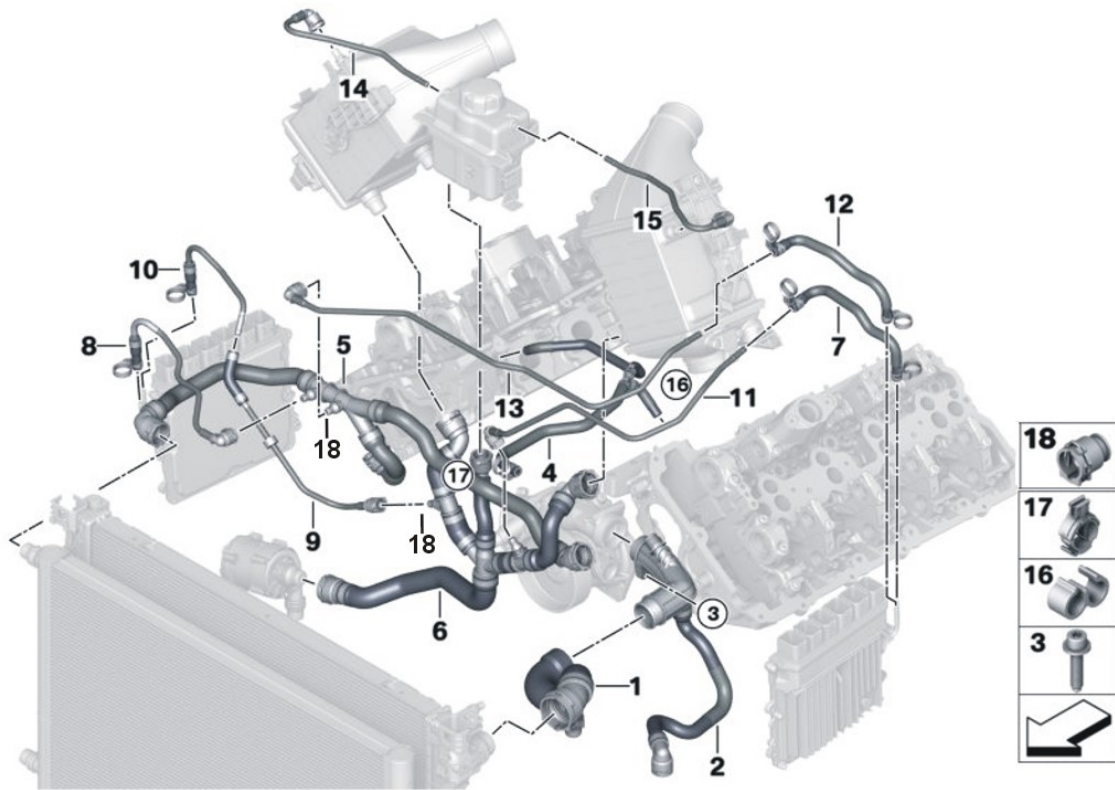


POS	Expression	Part number	B7 L	R H D	A W D	REM
1	Hose, radiator-engine	17 12 679	1			
2	Coolant feed line	17 12 677	1			
3	Fillister head screw	07 14 9 166 130	1			
4	Line, ventilation-engine ventilation-	17 12 683	1			
5	Line intercooler feed line	17 12 671	1			
6	Line intercooler return line	17 12 672	1			
7	Line, DME return line	17 12 694	1			a,b
8	Line, DME feed line	17 12 690	1			a,b
9	Line, DME return line	17 12 692	1			a,b
10	Line, DME return line	17 12 695	1			a,b
11	Line, DME return line	17 12 691	1			a,b
12	Line, DME feed line	17 12 693	1			a,b
13	Line, DME feed line	17 12 689	1			a,b
14	ventilation line intercooler CYL 1-4	17 12 676	1			
15	ventilation line intercooler CYL 5-8	17 12 675	1			
16	Cable holder	12 42 1 284 411	2			
17	Hose clamp	17 12 3 417 852	1			

a) up to 07/17

b) in case of replace, dismounting al lines and close with cap

c) from 07/17

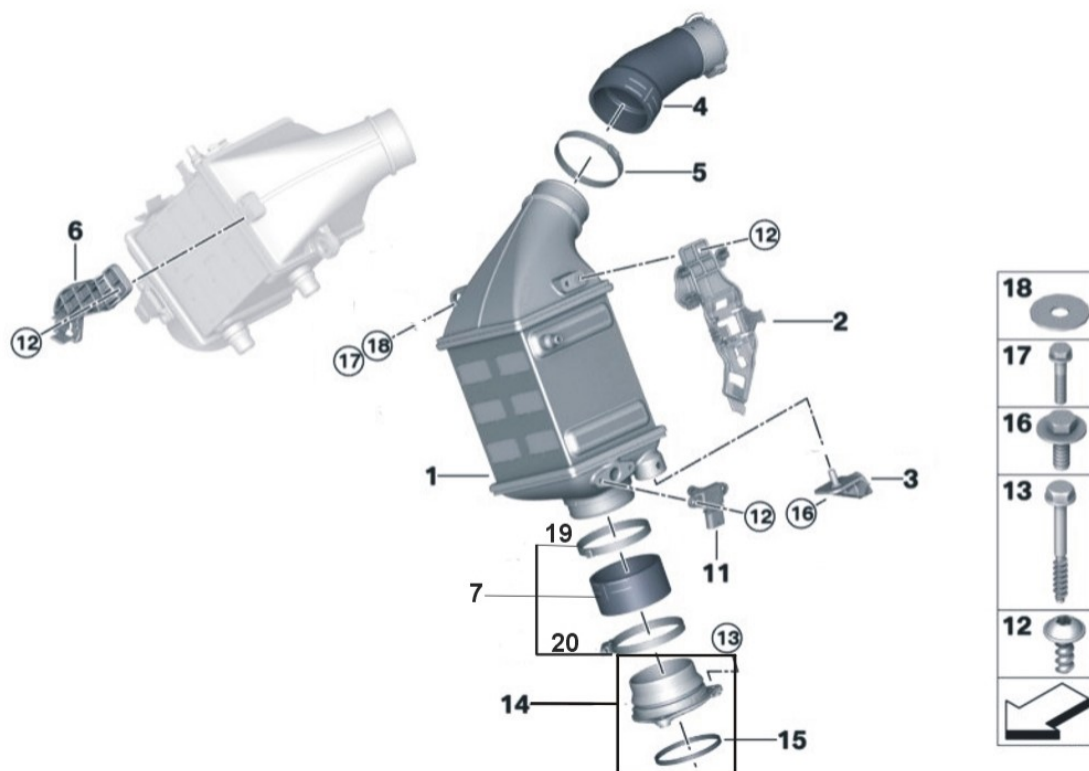


POS	Expression	Part number	B7 L	R H D	A W D	REM
18	Cap	17 12 8 515 062	4			c

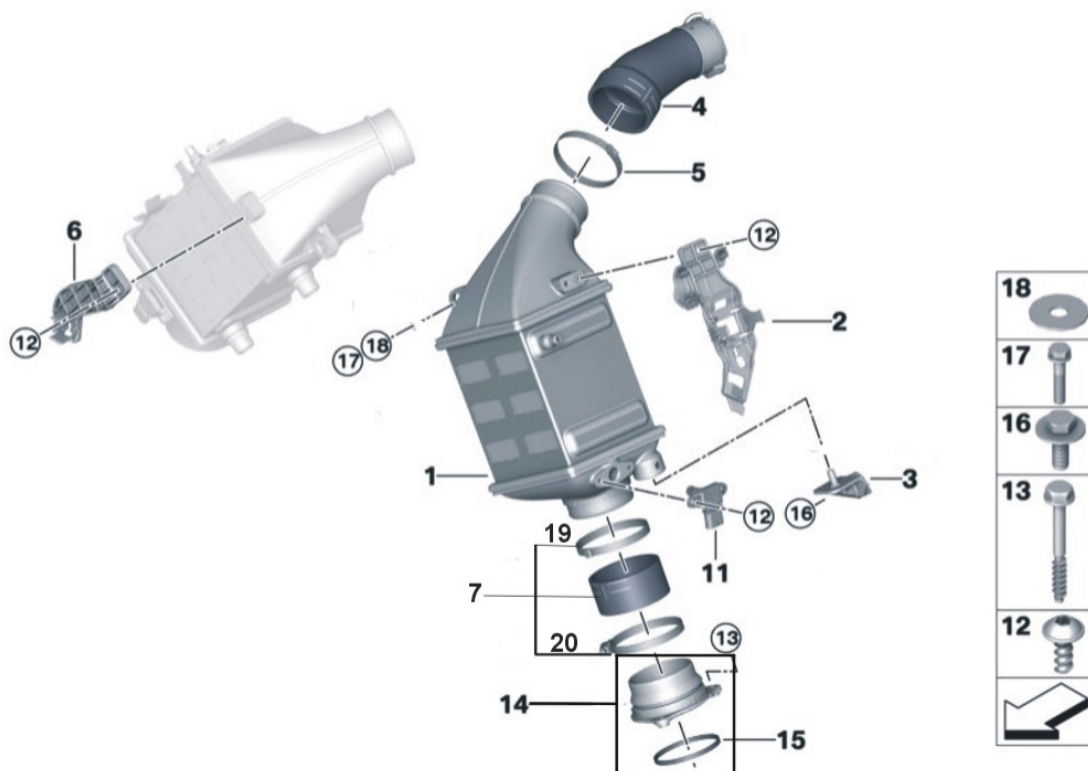
a) up to 07/17

b) in case of replace, dismounting al lines and close with cap

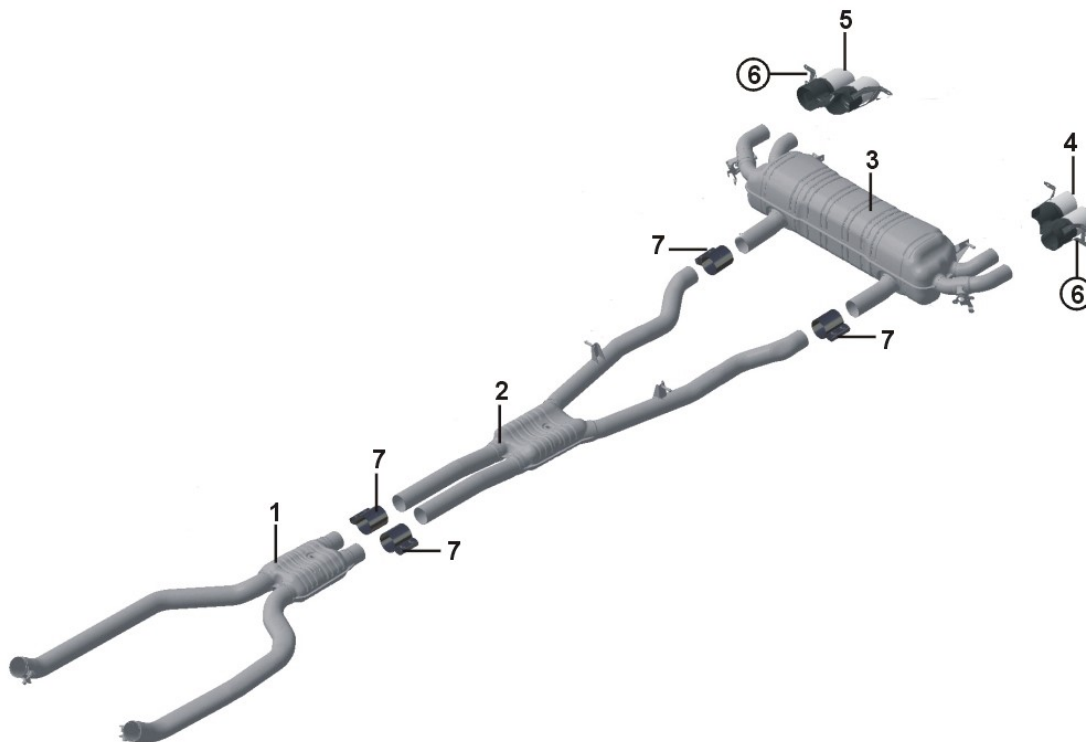
c) from 07/17



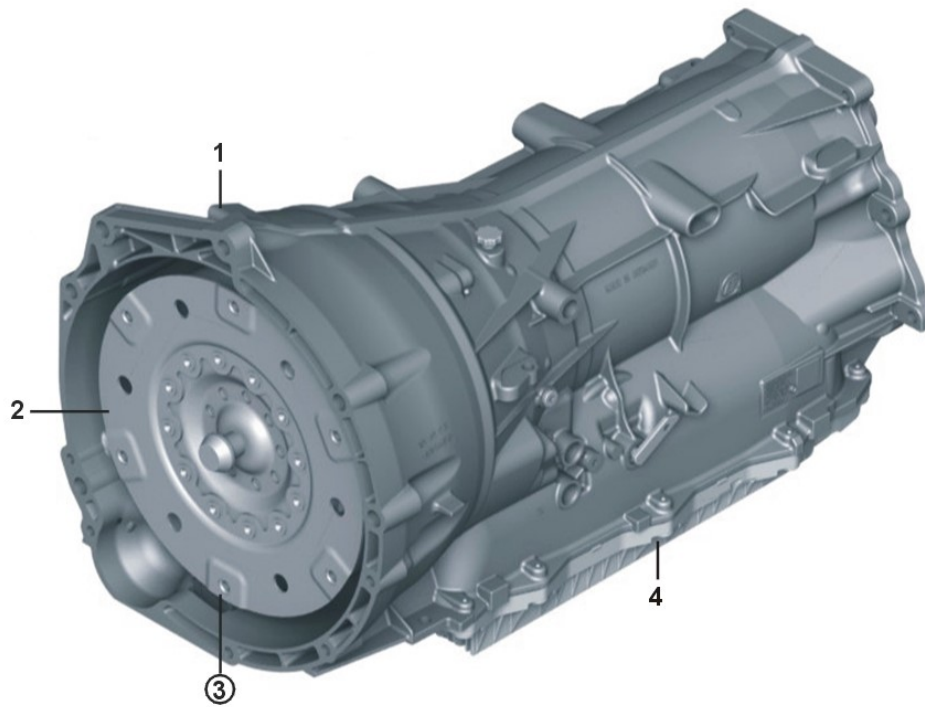
POS	Expression	Part number	B7 L	R H D	A W D	REM
1	Charge-air cooler CYL 1-4	17 50 774	1			
1	Charge-air cooler CYL 5-8	17 50 773	1			
2	Bracket ventilation valve CYL 1-4	13 90 624	1			
2	Bracket ventilation valve CYL 5-8	13 90 623	1			
3	Bracket, charge-air cooler CYL 1-4	17 51 604	1			
3	Bracket, charge-air cooler CYL 5-8	17 51 603	1			
4	Pressure hose assy CYL 1-4	17 50 782	1			
4	Pressure hose assy CYL 5-8	17 50 781	1			
5	Hose clamp	13 71 7 843 223	2			
6	Distribution piece holder	17 12 674	1			
7	Hose charge-air cooler	17 50 685	2			
11	Pressure sensor	13 62 7 599 042	2			
12	Screw M6X10-8.8-ZNS3	07 11 9 906 391	7			
13	Hex Bolt 6,0X50	13 54 7 561 349	6			
14	ZB quick-release coupling fitting	17 51 601	2			
15	Gasket, throttle body	11 61 7 633 558	2			
16	Hex Bolt with washer M6X18-U2-ZNS3	07 11 9 902 933	2			



POS	Expression	Part number	B7 L	R H D	A W D	REM
17	Hex Bolt with washer M6X30-U2-ZNNV	07 11 9 905 504	2			
18	Spacer D=2MM	07 14 7 132 785	2			
19	Hose clamp L77-84	07 12 9 952 131	4			
20	Clamp	13 71 7 636 219	2			

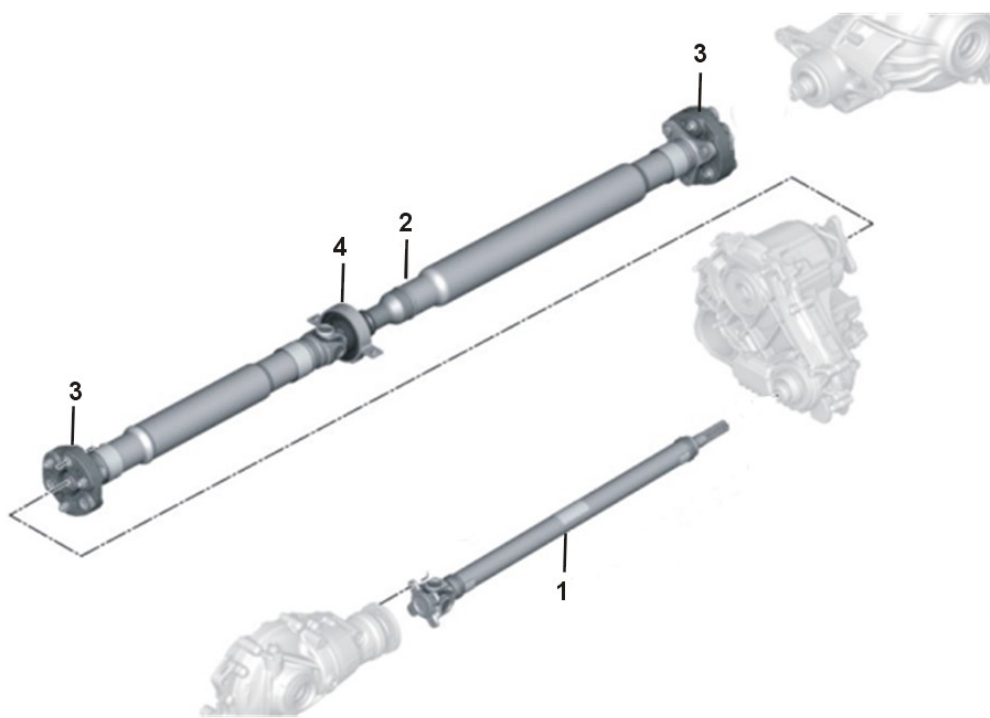


POS	Expression	Part number	B7 L	R H D	A W D	REM
1	Exhaust pipes front	18 30 8 635 592	1			
2	Exhaust pipes mid	18 30 8 635 594	1			
3	ear muffler	18 11 042	1			
4	Tailpipe ALPINA right	18 10 991	1			
5	Tailpipe ALPINA left	18 10 992	1			
6	Hexagon screwr for talpipe	07 14 9 110 670	6			
7	Clamping bush (D=75mm)	18 30 7 560 781	4			
o.A.	remaining parts see BMW parts catalogue		i			



POS	Expression	Part number	B7 L	R H D	A W D	REM
1	Automatic transmission ZF 8HP75	24 10 701	1		R	
1	Automatic transmission ZF 8HP75	24 10 700	1		A	
2	Repair kit torque converter	24 40 7 544 937	1			
3	ASA-Bolt M10X1X17,5 ZNS3	24 40 7 629 873	6			
4	Repair kit mechatronics	24 00 8 672 595	1			a

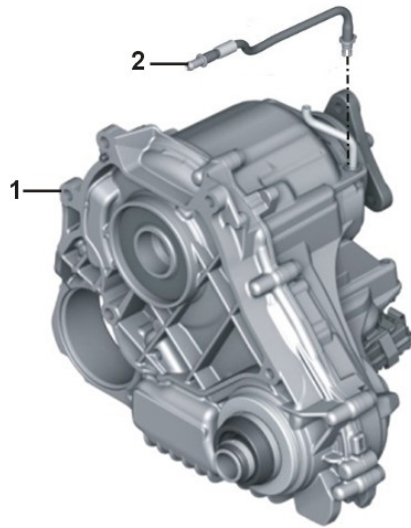
a) to 08/20



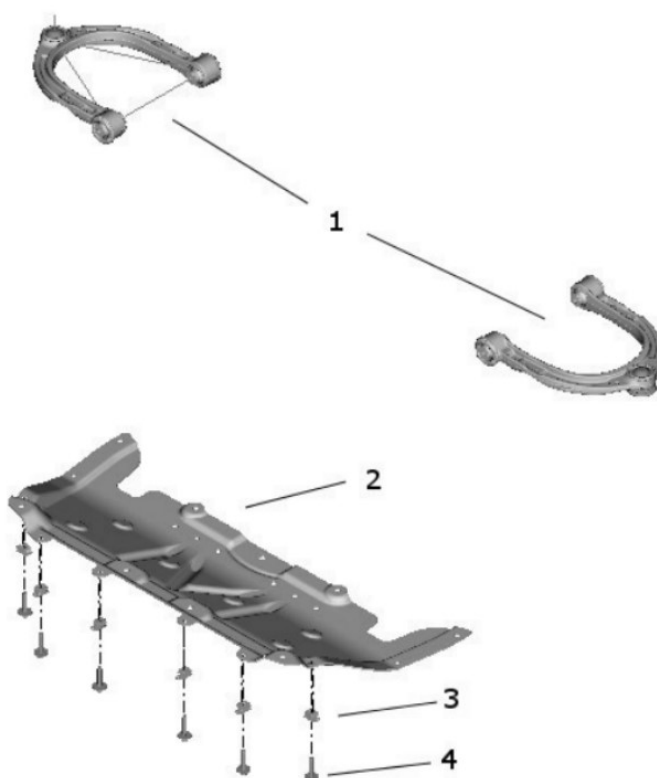
POS	Expression	Part number	B7 L	R H D	A W D	REM
1	Drive shaft front	26 20 8 698 362	1			
1	Drive shaft front	26 20 8 632 583	1			
2	Drive shaft	26 10 633	1		R	
2	Drive shaft	26 10 636	1		A	
2	Drive shaft	26 10 643	1			
3	Universal joint	26 11 8 681 477	2		A	
3	Universal joint	26 11 7 514 207	2		R	
4	Centre mount	26 11 8 661 717	1		A	
4	Centre mount	26 11 8 623 392	1		R	
4	Centre mount	26 11 8 681 987	1			

a) up to 07/2018

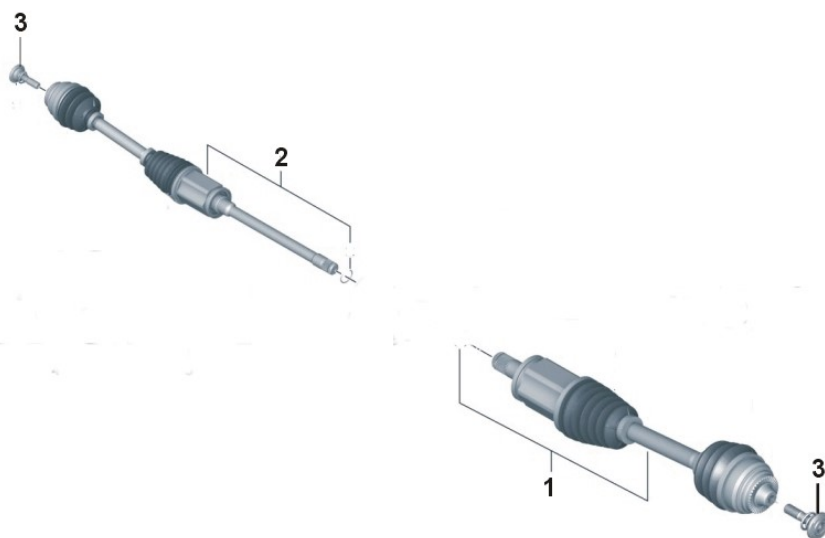
b) 07/2018 and up



POS	Expression	Part number	B7 L	R H D	A W D	REM
1	Transfer box	27 10 9 469 019	1			
2	Vent pipe	27 10 001	1			



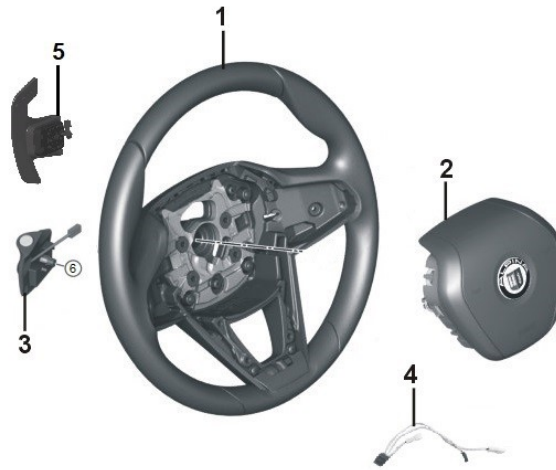
POS	Expression	Part number	B7 L	R H D	A W D	REM
1	Control arm, camber correction, top	31 12 6 870 024	2			
2	Underride protection	31 14 6 868 619	1		R	
2	Underride protection	31 14 6 868 620	1		A	
3	Cage nut	31 10 6 870 940	6			
4	Hex bolt with washer	31 10 6 870 648	6			



POS	Expression	Part number	B7 L	R H D	A W D	REM
1	Output shaft front left	31 60 8 639 521	1			a
1	Output shaft front right	31 60 8 639 522	1			a
2	Output shaft front links	31 60 8 687 377	1			b
2	Output shaft front right	31 60 8 687 378	1			b
3	Collar bolt with compression spring	31 20 6 866 022	2			

a) up to 11/2016

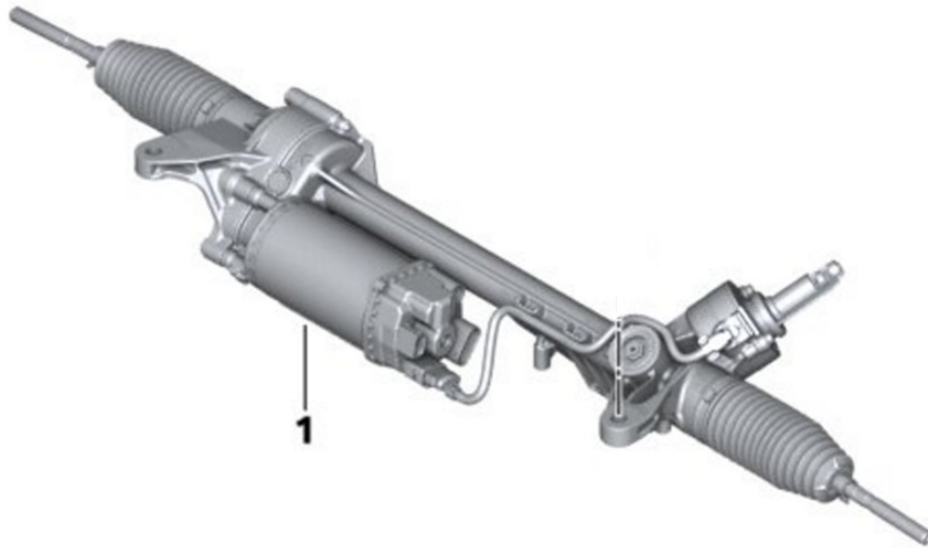
b) from 11/2016



POS	Expression	Part number	B7 L	R H D	A W D	REM
1	Sport leather steering wheel	32 33 325	1			
1	Sport leather steering wheel	32 33 330	1			a
1	Sport leather steering wheel (up to 07/17)	32 33 326	1			b
1	Sport leather steering wheel (from 07/17)	32 33 349	1			b
2	Airbag module	32 33 335	1			c
2	Airbag module	32 33 319	1			d
3	SWITCH-TRONIC switch left	32 33 321	1			
3	SWITCH-TRONIC switch right	32 33 322	1			
4	Cable tree SWITCH-TRONIC	32 33 281	1			
o.A.	Flat fillister head screw	07 22 005	2			

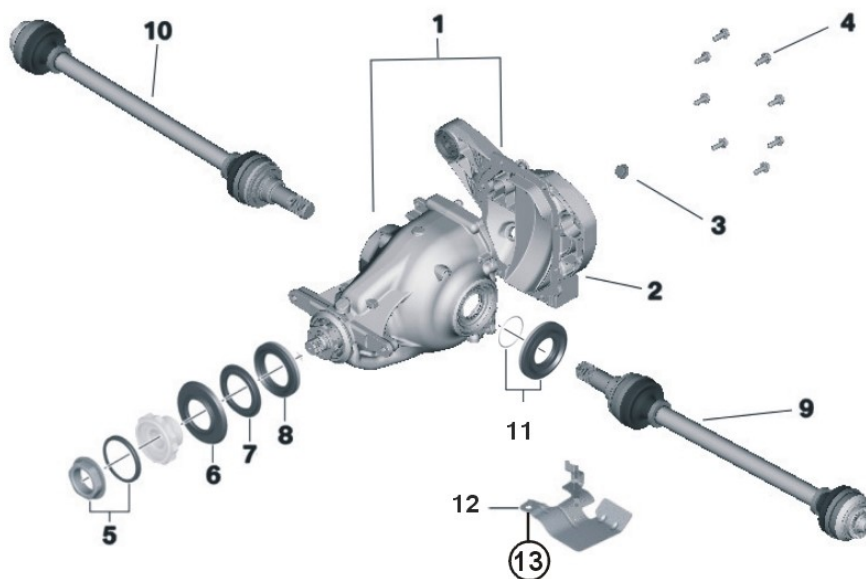
a) Steering wheel heater S248A = yes
c) ECE

b) Driving Assistant Plus S5ATA = yes
d) China/Japan



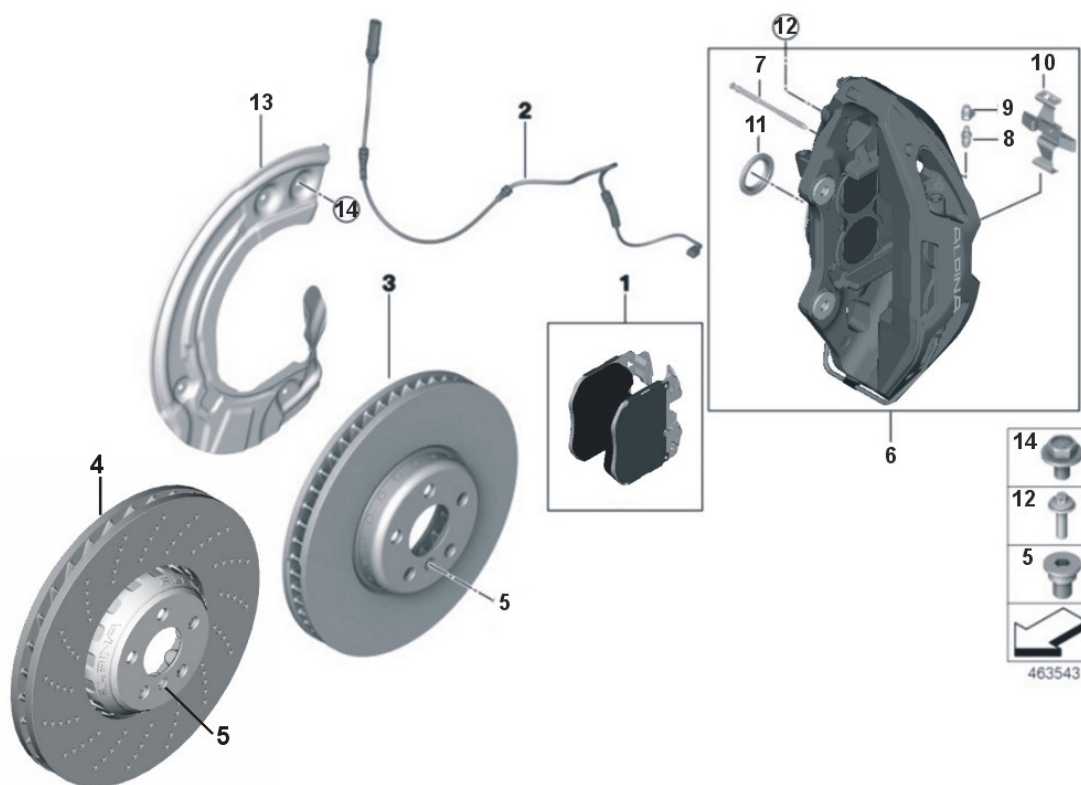
POS	Expression	Part number	B7 L	R H D	A W D	REM
1	Steering gear electric	32 10 6 888 563	1	L	A	a

a) from 11/2016



POS	Expression	Part number	B7 L	R H D	A W D	REM
1	Final drive 235L, i=2,81	33 10 8 656 344	1			AE
1	Final drive 235L, i=2,81 diff lock 70°/70°	33 10 737	1			a
2	Final drive cover	33 11 8 642 812	1			
3	Screw plug with O-ring	33 11 7 525 064	1			
4	Hex nut with ribs	33 11 7 521 292	8			
5	Repair kit insert nut	33 12 7 607 158	1			
6	Dustcover plate, large	33 12 7 518 511	1			
7	Dustcover plate, small	33 12 1 214 064	1			
8	Shaft seal	33 10 7 609 536	1			
9	Output shaft VL3-41 HAG235L-K left	33 21 509	1			
10	Output shaft VL3-41 HAG235L-K righth	33 21 510	1			
11	Gasket set	33 10 7 568 368	1			
12	Heat protection plate left	33 34 6 876 229	1			
13	Hexagon screw with flange	07 14 7 128 161	2			

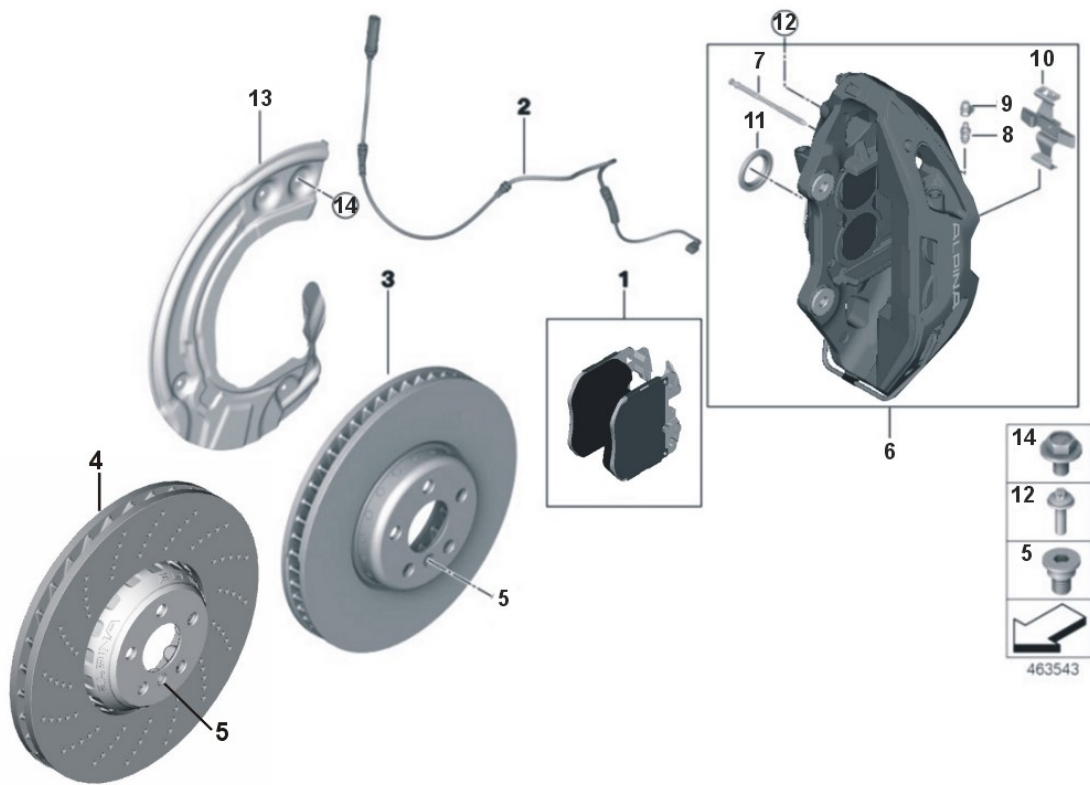
a) Diff lock S209A = yes



POS	Expression	Part number	B7 L	R H D	A W D	REM
1	Repair set of pads	34 10 6 888 459	1			
2	Brake pad wear sensor front	34 35 6 890 788	1			
3	Brake disc left 395x36	34 11 6 860 919	1			W
3	Brake disc left 395x36	34 11 6 887 397	1			
3	Brake disc right 395x36	34 11 6 860 920	1			W
3	Brake disc right 395x36	34 11 6 887 398	1			
5	Inner hex bolt	34 21 1 161 806	2			
6	Caliper left without pads	34 11 6 999	1			c
6	Caliper right without pads	34 11 7 00	1			c
6	Caliper left without pads	34 11 7 09	1			d
6	Caliper right without pads	34 11 7 10	1			d
7	Repair kit guide pin	34 11 6 872 572	2			
8	Bleeder valve	34 11 6 780 509	2			
9	Dust cap	34 11 6 780 508	2			
10	Repair kit expanding spring	34 11 6 872 573	2			
11	Kit dust cap	34 11 1 162 178	2			
12	Torx screw with washer M12x1,5x43	34 11 6 864 424	4			

c) up to 08/18

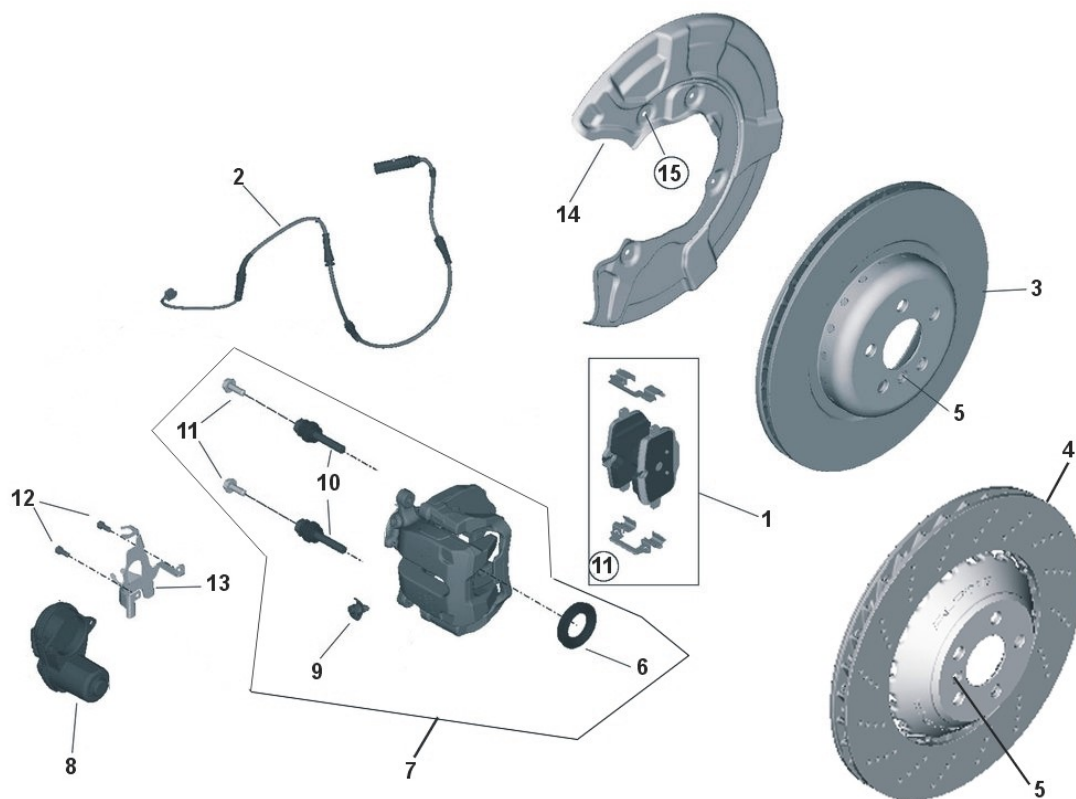
d) from 08/18



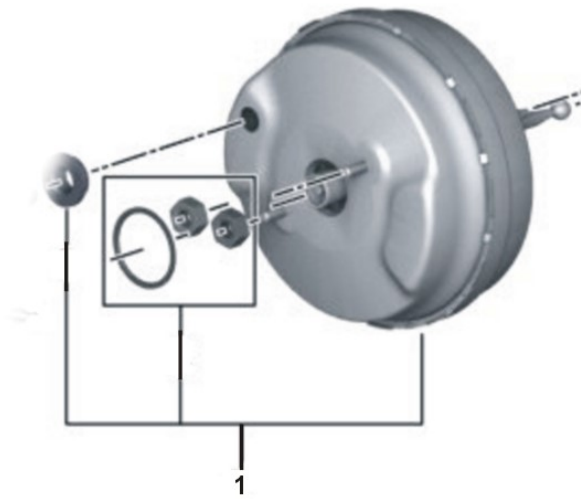
POS	Expression	Part number	B7 L	R H D	A W D	REM
13	Protection plate left	34 11 6 861 799	1			
13	Protection plate right	34 11 6 861 800	1			
14	Hex bolt M6x12	34 11 6 868 785	8			

c) up to 08/18

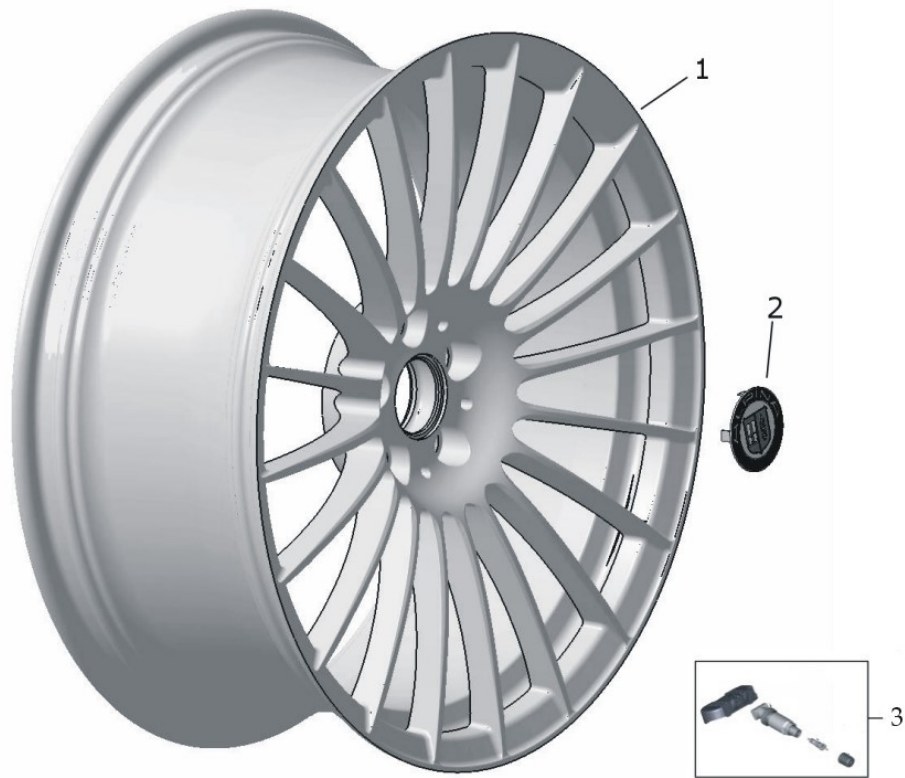
d) from 08/18



POS	Expression	Part number	B7 L	R H D	A W D	REM
1	Repair set of pads	34 21 6 870 552	1			
2	Brake-pad sensor rear	34 35 6 890 792	1			
3	Brake disc rear 370x24	34 21 6 860 927	2			
5	Inner hex bolt	34 21 1 161 806	2			
6	Sealing sleeve	34 20 6 786 064	2			
7	Caliper left without pads	34 21 641	1			
7	Caliper right without pads	34 21 642	1			
8	Repair kit actuator EMF	34 21 6 870 567	2			
9	Repair kit bleeder valve	34 11 6 768 188	2			
10	Repair kit bellows	34 21 6 854 116	2			
11	Hex bolt M8x22	34 20 6 850 560	4			
12	Torx bolt 6x14	34 20 6 870 566	4			
13	Repair kit cable routing left	34 21 6 870 569	2			
13	Repair kit cable routing right	34 21 6 870 570	2			
14	Protection plate left	34 20 6 861 803	1			
14	Protection plate right	34 20 6 861 804	1			
15	Hex bolt M6x12	34 11 6 868 785	8			

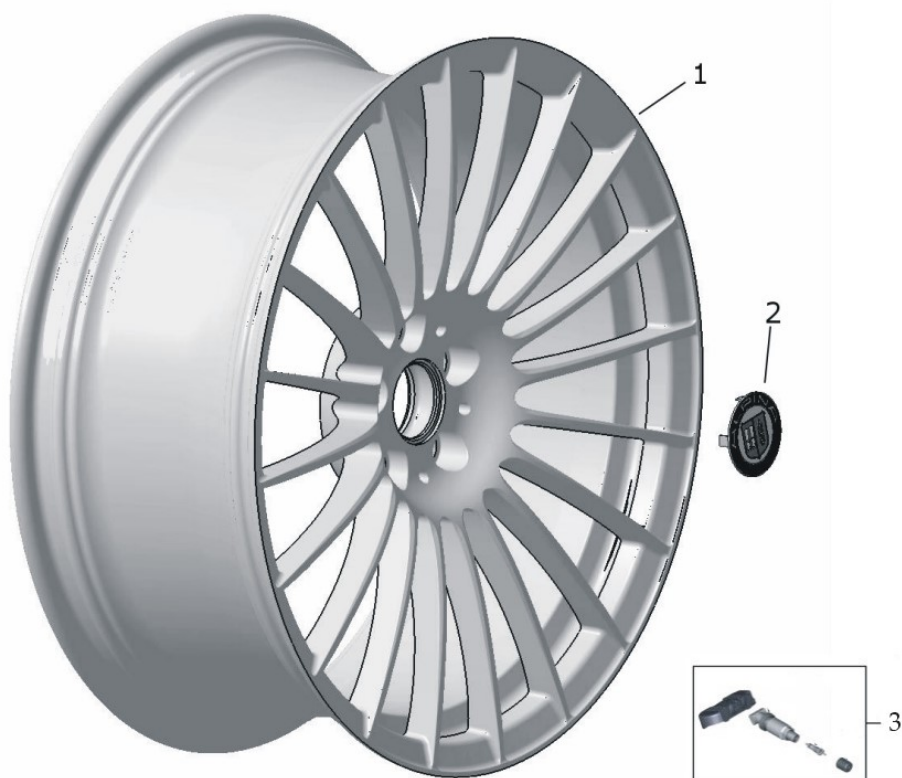


POS	Expression	Part number	B7 L	R H D	A W D	REM
2	Repair kit break servo unit	34 33 6 875 172	1			



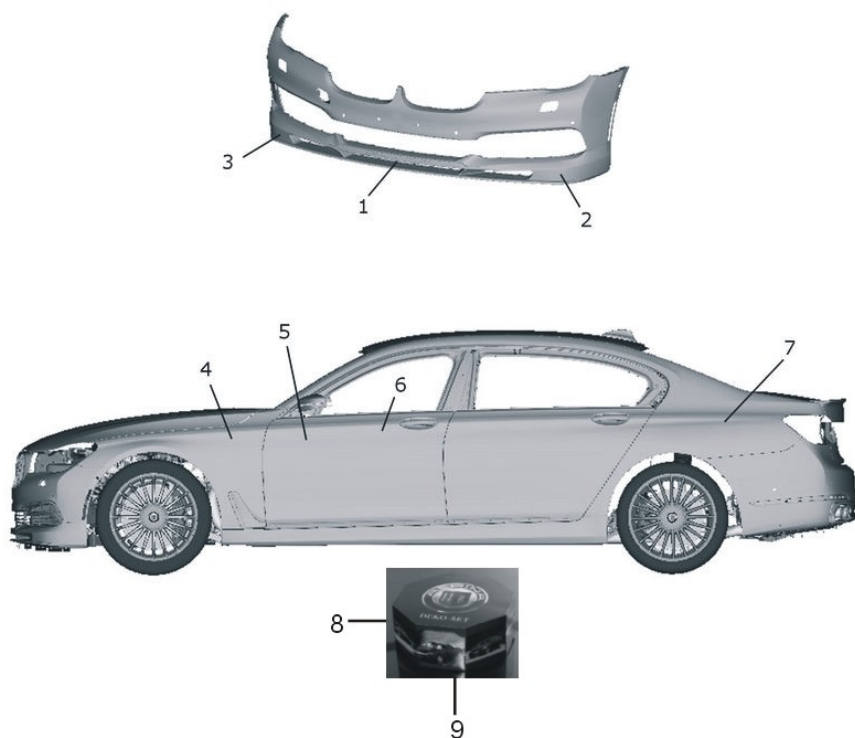
POS	Expression	Part number	B7 L	R H D	A W D	REM
1	Forged rim 8,5x20"	36 11 834	2			
1	Forged rim 10x20"	36 11 835	2			
o.A.	Tyre 255/40 R20 summer	a. Anfr./on req.	2			
o.A.	Tyre 295/35 R20 summer	a. Anfr./on req.	2			
2	Wheel hub cover	36 13 128	4			
3	Wheel electronic module RDC 433 MHz	36 10 6 872 803	4			
3	Wheel electronic module RDC 315 MHz	36 10 6 872 801	4			a

a) Japan

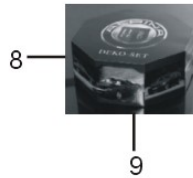
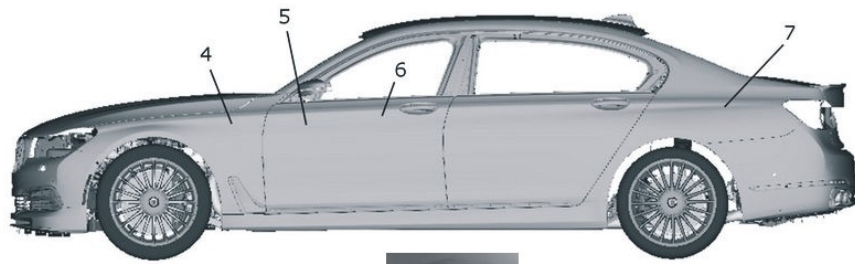
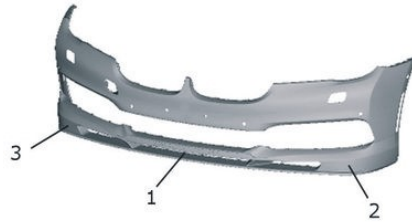


POS	Expression	Part number	B7 L	R H D	A W D	REM
1	Forged rim 8,5x21"	36 11 824	2			
1	Forged rim 10x21"	36 11 825	2			
o.A.	Tyre 255/35 R21 summer	a. Anfr./on req.	2			
o.A.	Tyre 295/30 R21 summer	a. Anfr./on req.	2			
2	Wheel hub cover	36 13 128	4			
3	Wheel electronic module RDC 433 MHz	36 10 6 872 803	4			
3	Wheel electronic module RDC 315 MHz	36 10 6 872 801	4			a

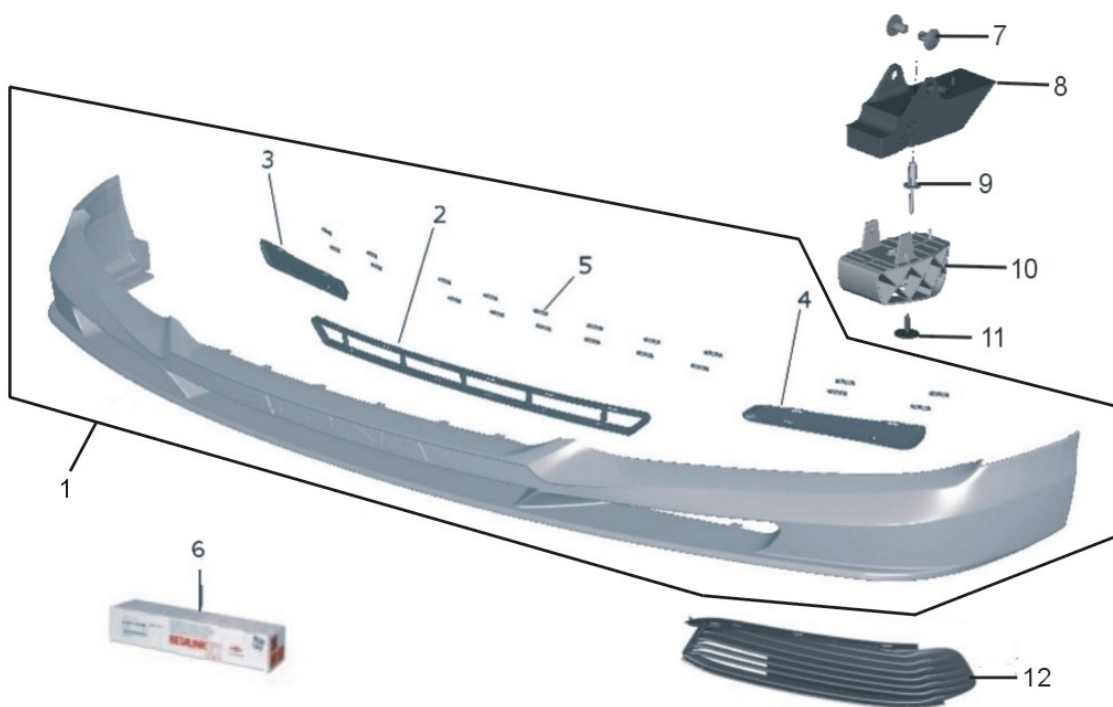
a) Japan



POS	Expression	Part number	B7 L	R H D	A W D	REM
1	Sign ALPINA 360mm silver	51 00 225	1			
1	Sign ALPINA 360mm gold	51 00 224	1			
2	Rhomb front spoiler left silver	41 10 103	1			
2	Rhomb front spoiler left gold	41 10 105	1			
3	Rhomb front spoiler right silver	41 10 104	1			
3	Rhomb front spoiler left gold	41 10 106	1			
4	Rhomb front left gold	41 00 247	1			
4	Rhomb front left silver	41 00 253	1			
4	Rhomb front right gold	41 00 246	1			
4	Rhomb front right silver	41 00 252	1			
5	Sign ALPINA 132mm gold	51 00 064	2			
5	Sign ALPINA 132mm silver	51 00 065	2			
6	Rhomb centre left gold	41 00 249	2			
6	Rhomb centre left silver	41 00 255	2			
6	Rhomb centre right gold	41 00 248	2			
6	Rhomb centre right silver	41 00 254	2			
7	Rhomb rear left gold	41 00 251	1			



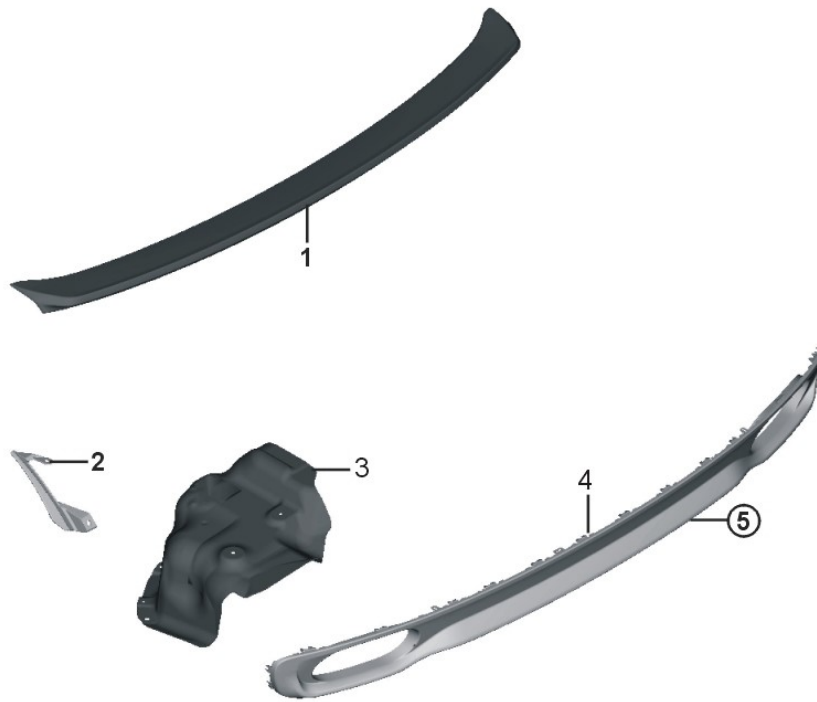
POS	Expression	Part number	B7 L	R H D	A W D	REM
7	Rhomb rear left silver	41 00 257	1			
7	Rhomb rear right gold	41 00 250	1			
7	Rhomb rear right silver	41 00 256	1			
8	Decorative stripping set no. 1 silver	41 10 118	1			
8	Decorative stripping set no. 1 gold	41 10 117	1			
9	Decorative stripping set no. 4 silver	41 10 116	1			
9	Decorative stripping set no. 4 gold	41 10 115	1			



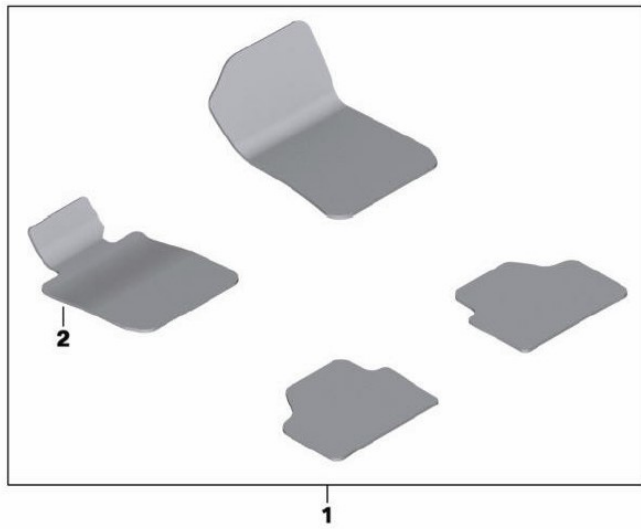
POS	Expression	Part number	B7 L	R H D	A W D	REM
1	Front spoiler	41 10 111	1			
2	Air guide middle	51 11 530	1			
3	Cover air inelt right	51 11 532	1			
4	Cover air inelt left	51 11 531	1			
5	Clip	07 14 506	20			
6	Glue	83 19 2 289 286	1			
7	Fixing plug	51 47 1 911 992	4			
8	Adapter	51 11 534	2			
9	Blind rivet	07 14 7 234 212	2			
10	Damper, kerb descent	51 11 7 397 396	2			
11	Oval-head srew M6x21	07 14 7 263 759	2			
12	Grille, air inlet open, left	51 11 7 358 791	1			a
12	Grille, air inlet, partly closed, left	51 11 7 358 789	1			b
12	Grille, air inlet open, right	52 11 7 358 792	1			

a) Auxiliary heater S536A = no

b) Auxiliary heater S536A = yes



POS	Expression	Part number	B7 L	R H D	A W D	REM
1	Rear spoiler	41 10 087	1			
2	Wheel cover rear left	41 10 109	1			
2	Wheel cover rear right	41 10 110	1			
3	Heat insulation muffler left	51 48 615	1			
3	Heat insulation muffler right	51 48 616	1			
4	Panel rear bumper	51 00 858	1			
5	Expanding rivet	17 11 1 712 963	2			



POS	Expression	Part number	B7 L	R H D	A W D	REM
1	Set floor mats	51 43 878	1	L		
1	Set floor mats	51 43 880	1	R		
2	Floor mat driver side	51 43 879	1	L		
2	Floor mat driver side	51 43 881	1	R		
3	Trunk mat	51 43 313	1			
3	Trunk mat	51 43 314	1			b

b) Coolbox S791 = yes



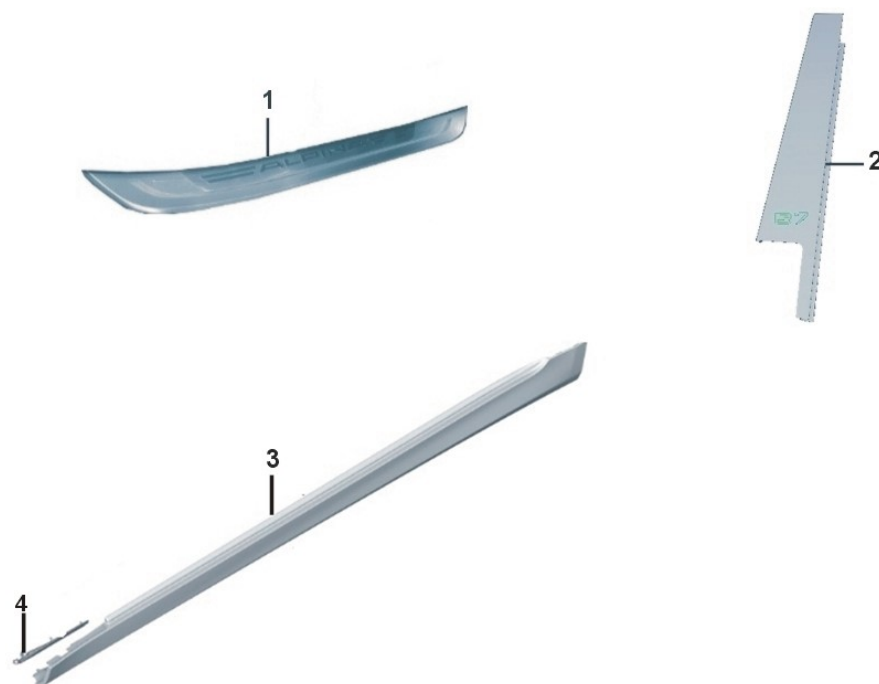
1
ALPINA

2
B7 BITURBO

3
B7

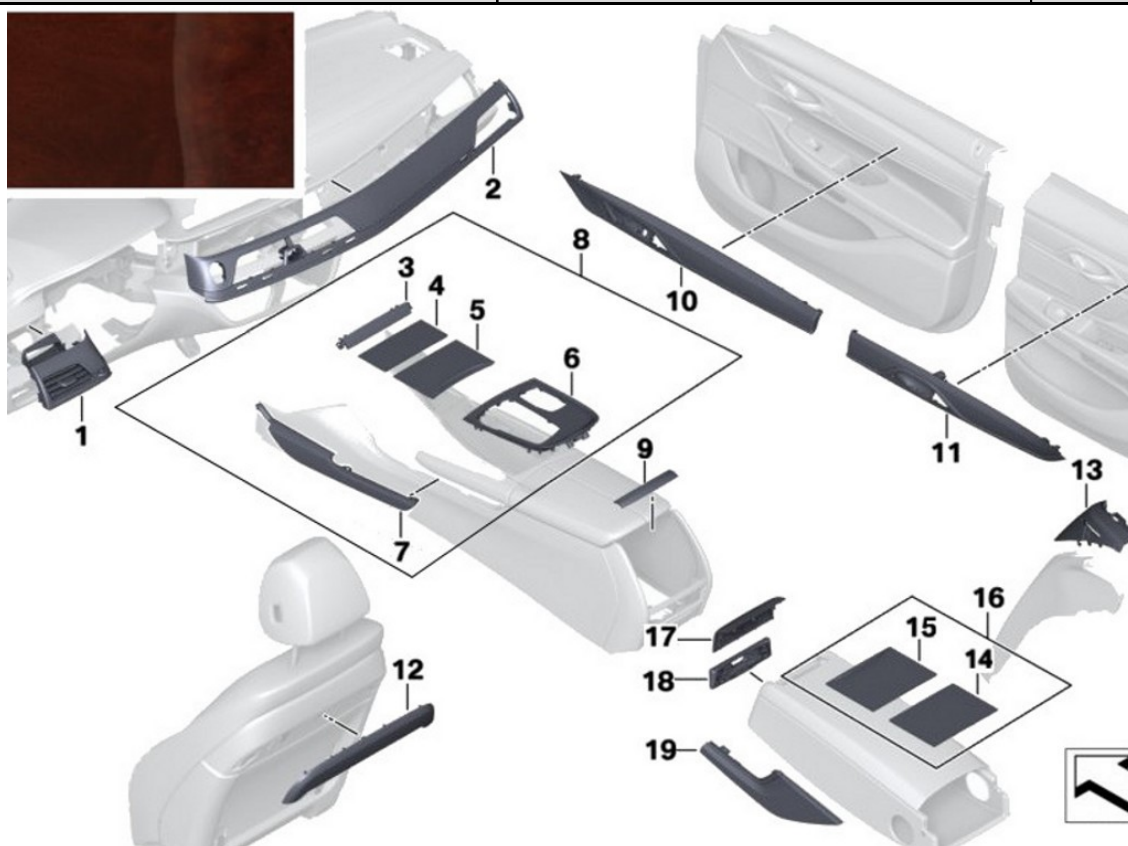


POS	Expression	Part number	B7 L	R H D	A W D	REM
1	Sign "ALPINA"	51 00 246	1			
2	Sign "B7 BITURBO"	51 00 327	1			
4	Production plate ECE	76 00 573	1		R	
4	Production plate ECE	76 00 581	1		A	



POS	Expression	Part number	B7 L	R H D	A W D	REM
1	Door sill trim front	51 47 774	2			
1	Door sill trim rear left	51 47 775	1			
1	Door sill trim rear right	51 47 776	1			
2	Cover column B left	51 35 103	1			
2	Cover column B right	51 35 104	1			
3	Slim trim, primed, left	51 77 8 064 983	1			a
3	Slim trim, primed, right	51 77 8 064 984	1			a
4	Holder, light module, left	63 14 8 062 937	1			
4	Holder, light module, right	63 14 8 062 937	1			

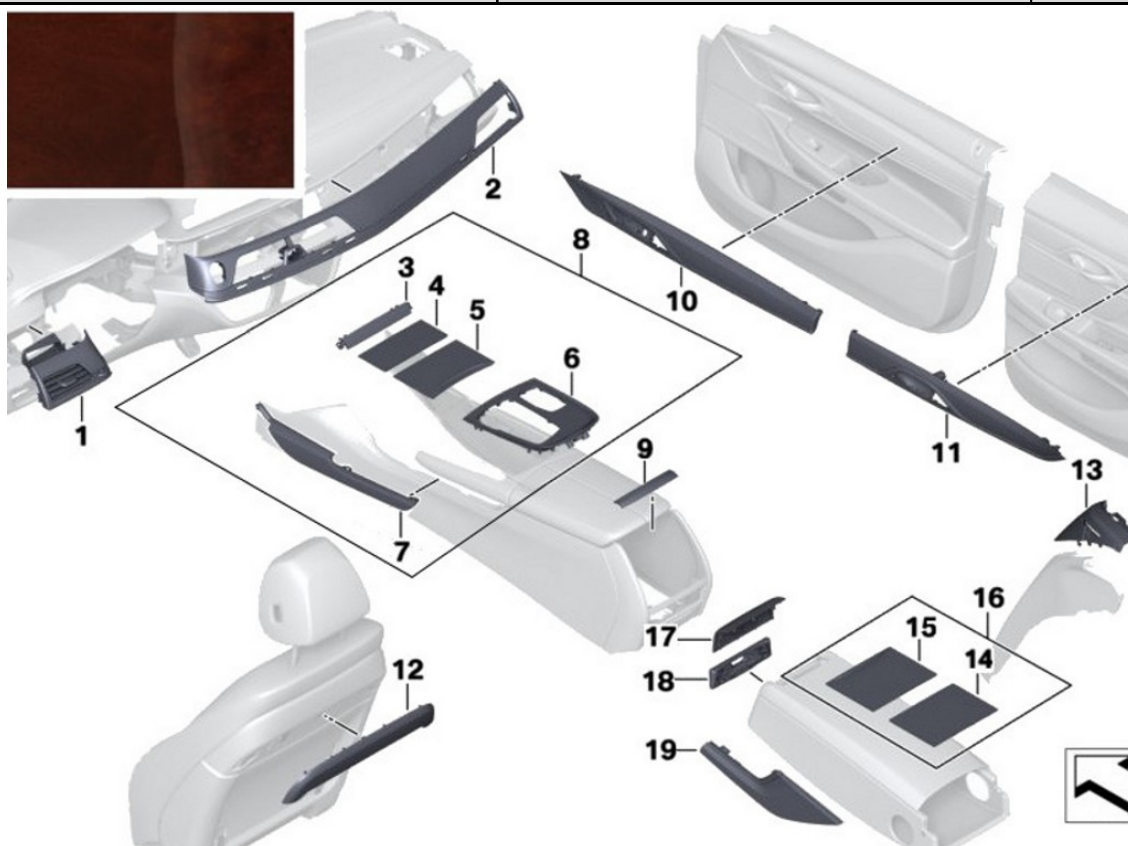
a) Only in conjunction with holder, light module



POS	Expression	Part number	B7 L	R H D	A W D	REM
1	Trim panel dashboard driver's side	51 45 774	1	L		
1	Trim panel dashboard driver's side	51 45 776	1	R		
2	Trim panel passenger's side	51 45 775	1	L		AE
2	Trim panel passenger's side	51 45 801	1	L		b
2	Trim panel passenger's side	51 45 777	1	R		AE
2	Trim panel passenger's side	51 45 802	1	R		b
3	Trim panel centre console front	51 16 764	1			
4	Trim panel oddments tray	51 16 762	1			
5	Trim panel cupholder	51 16 763	1			
6	Trim panel centre console middle	51 16 769	1	L		
6	Trim panel centre console middle	51 16 770	1	R		
7	Trim panel centre console left	51 16 765	1	L		
7	Trim panel centre console left	51 16 767	1	R		
7	Trim panel centre console right	51 16 776	1	L		
7	Trim panel centre console right	51 16 768	1	R		
8	Trim panel centre console	51 16 819	1	L		
8	Trim panel centre console	51 16 820	1	R		

a) Touch command S6U9A = yes

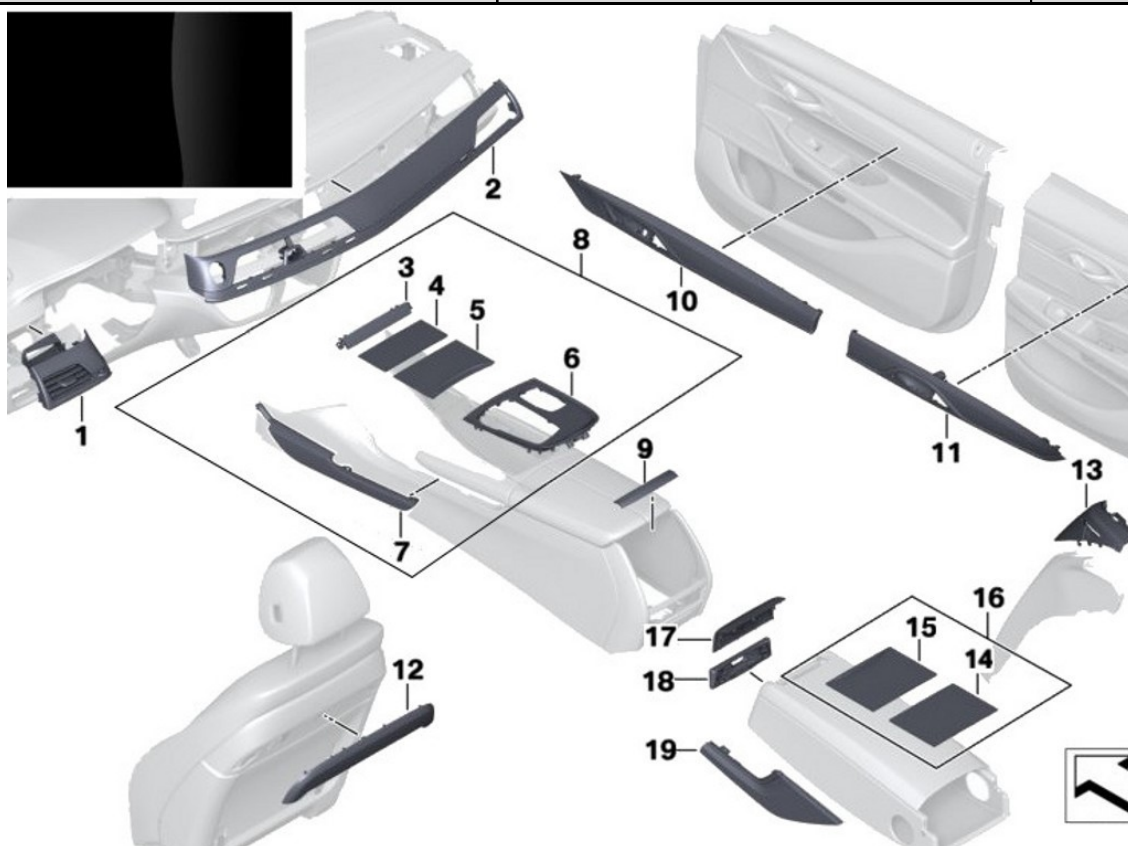
b) incl. light guides and NFC antenna, without LED module and NFC symbol



POS	Expression	Part number	B7 L	R H D	A W D	REM
9	Trim panel centre console rear	51 16 771	1			
10	Trim panel door front left	51 41 701	1			
10	Trim panel door front right	51 41 702	1			
11	Trim panel door rear left	51 42 705	1			
11	Trim panel door rear left	51 42 706	1			
12	Trim rear panel front seat	52 10 651	2			
13	Cover belt outlet left	51 42 695	1			
13	Cover belt outlet right	51 42 696	1			
14	Cover cupholder rear	51 16 791	1			
15	Cover oddments tray rear	51 16 790	1			
16	Trim panel fond console	51 16 821	1			
17	Trim panel centre arm rest top	51 16 787	1			a
17	Trim panel centre arm rest top	51 16 788	1			
18	Trim panel cupholder centre arm rest	51 16 789	1			
19	Trim panel centre arm rest left	51 16 793	1			
19	Trim panel centre arm rest right	51 16 794	1			

a) Touch command S6U9A = yes

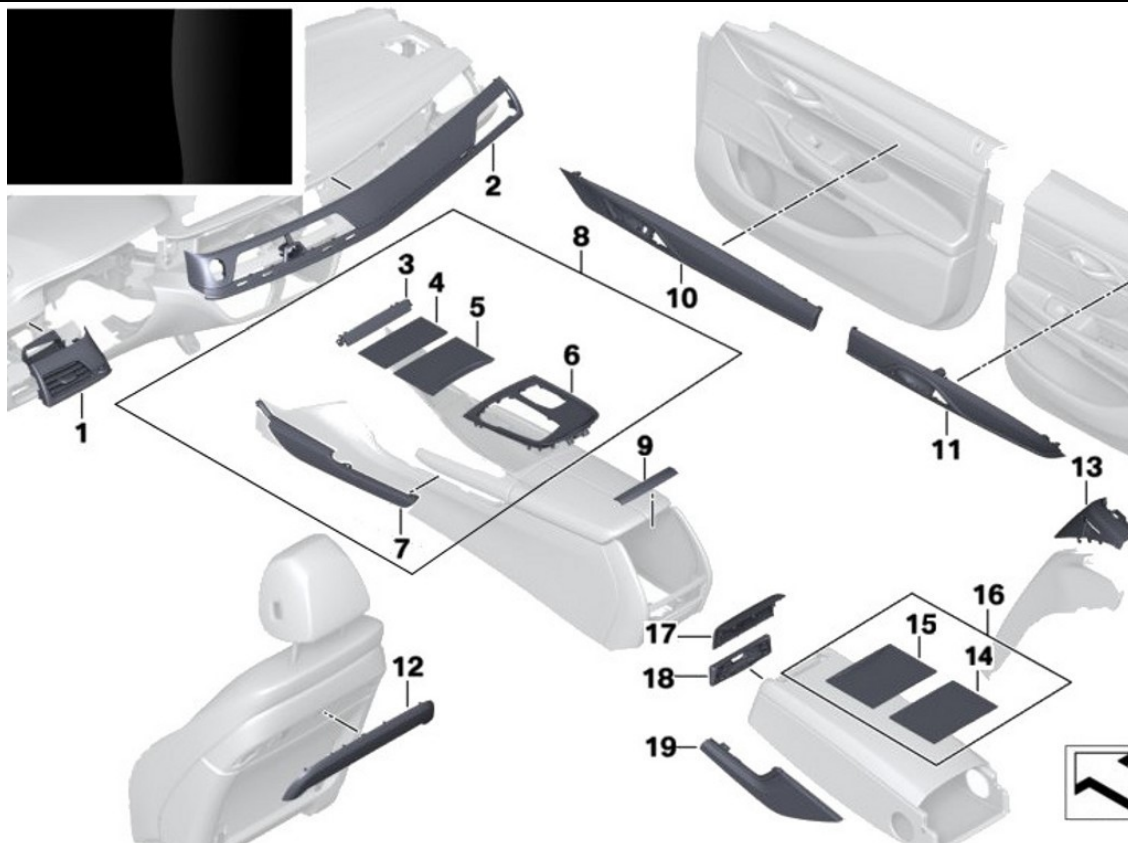
b) incl. light guides and NFC antenna, without LED module and NFC symbol



POS	Expression	Part number	B7 L	R H D	A W D	REM
1	Trim panel dashboard driver's side	51 45 759	1	L		
1	Trim panel dashboard driver's side	51 45 767	1	R		
2	Trim panel passenger's side	51 45 778	1	L		AE
2	Trim panel passenger's side	51 45 797	1	L		b
2	Trim panel passenger's side	51 45 779	1	R		AE
2	Trim panel passenger's side	51 45 798	1	R		b
3	Trim panel centre console front	51 16 778	1			
4	Trim panel oddments tray	51 16 776	1			
5	Trim panel cupholder	51 16 777	1			
6	Trim panel centre console middle	51 16 783	1	L		
6	Trim panel centre console middle	51 16 784	1	R		
7	Trim panel centre console left	51 16 779	1	L		
7	Trim panel centre console left	51 16 781	1	R		
7	Trim panel centre console right	51 16 780	1	L		
7	Trim panel centre console right	51 16 782	1	R		
8	Trim panel centre console	51 16 774	1	L		
8	Trim panel centre console	51 16 775	1	R		

a) Touch command S6U9A = yes

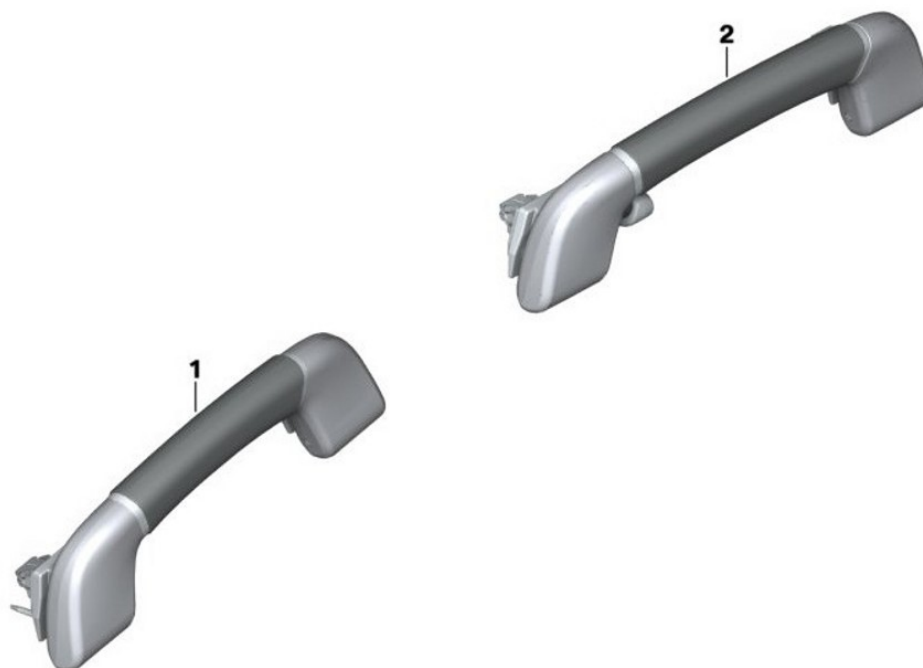
b) incl. light guides and NFC antenna, without LED module and NFC symbol



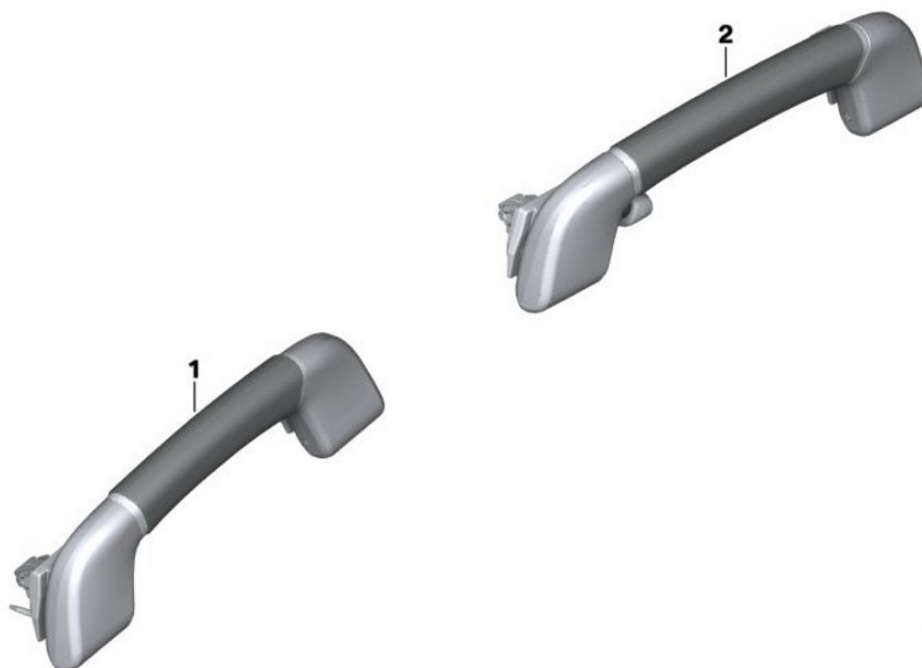
POS	Expression	Part number	B7 L	R H D	A W D	REM
9	Trim panel centre console rear	51 16 785	1			
10	Trim panel door front left	51 41 697	1			
10	Trim panel door front right	51 41 698	1			
11	Trim panel door rear left	51 42 699	1			
11	Trim panel door rear left	51 42 700	1			
12	Trim rear panel front seat	52 10 652	2			
13	Cover belt outlet left	51 42 703	1			
13	Cover belt outlet right	51 42 704	1			
14	Cover cupholder rear	51 16 800	1			
15	Cover oddments tray rear	51 16 799	1			
16	Trim panel fond console	51 16 795	1			
17	Trim panel centre arm rest top	51 16 796	1			a
17	Trim panel centre arm rest top	51 16 797	1			
18	Trim panel cupholder centre arm rest	51 16 798	1			
19	Trim panel centre arm rest left	51 16 801	1			
19	Trim panel centre arm rest right	51 16 802	1			

a) Touch command S6U9A = yes

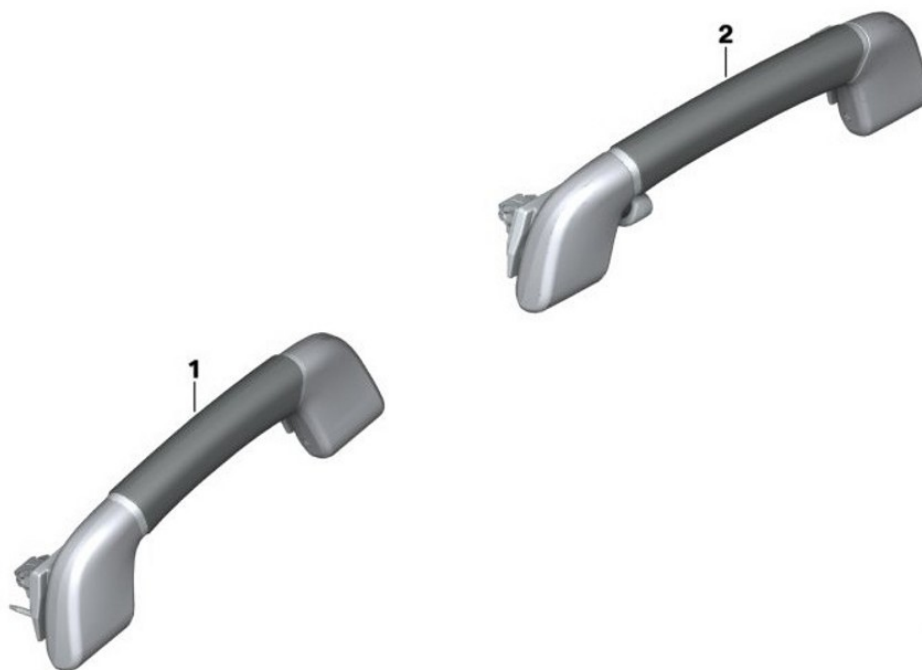
b) incl. light guides and NFC antenna, without LED module and NFC symbol



POS	Expression	Part number	B7 L	R H D	A W D	REM
1	Grab handle myrtle black	51 16 822	2			
1	Grab handle myrtle ivory	51 16 826	2			
1	Grab handle myrtle beige	51 16 830	2			
1	Grab handle myrtle mocha	51 16 834	2			
1	Grab handle myrtle tartufo	51 16 852	2			
1	Grab handle myrtle smoke white	51 16 856	2			
1	Grab handle myrtle caramel	51 16 860	2			
1	Grab handle myrtle oyster	51 16 864	2			
1	Grab handle piano black	51 16 804	2			
1	Grab handle piano ivory	51 16 808	2			
1	Grab handle piano beige	51 16 812	2			
1	Grab handle piano mocha	51 16 816	2			
2	Grab handle rear left myrtle black	51 16 823	1			
2	Grab handle rear right myrtle black	51 16 824	1			
2	Grab handle rear left myrtle ivory	51 16 827	1			
2	Grab handle rear right myrtle ivory	51 16 828	1			
2	Grab handle rear left myrtle beige	51 16 831	1			



POS	Expression	Part number	B7 L	R H D	A W D	REM
2	Grab handle rear right myrtle beige	51 16 832	1			
2	Grab handle rear left myrtle mocha	51 16 835	1			
2	Grab handle rear right myrtle mocha	51 16 836	1			
2	Grab handle rear left myrtle tartufo	51 16 853	1			
2	Grab handle rear right myrtle tartufo	51 16 854	1			
2	Grab handle rear left myrtle smoke white	51 16 857	1			
2	Grab handle rear right myrtle smoke white	51 16 858	1			
2	Grab handle rear left myrtle caramel	51 16 861	1			
2	Grab handle rear right myrtle caramel	51 16 862	1			
2	Grab handle rear left myrtle oyster	51 16 865	1			
2	Grab handle rear right myrtle oyster	51 16 866	1			
2	Grab handle rear left piano black	51 16 805	1			
2	Grab handle rear right piano black	51 16 806	1			
2	Grab handle rear left piano ivory	51 16 809	1			
2	Grab handle rear right piano ivory	51 16 810	1			
2	Grab handle rear left piano beige	51 16 813	1			
2	Grab handle rear right piano beige	51 16 814	1			

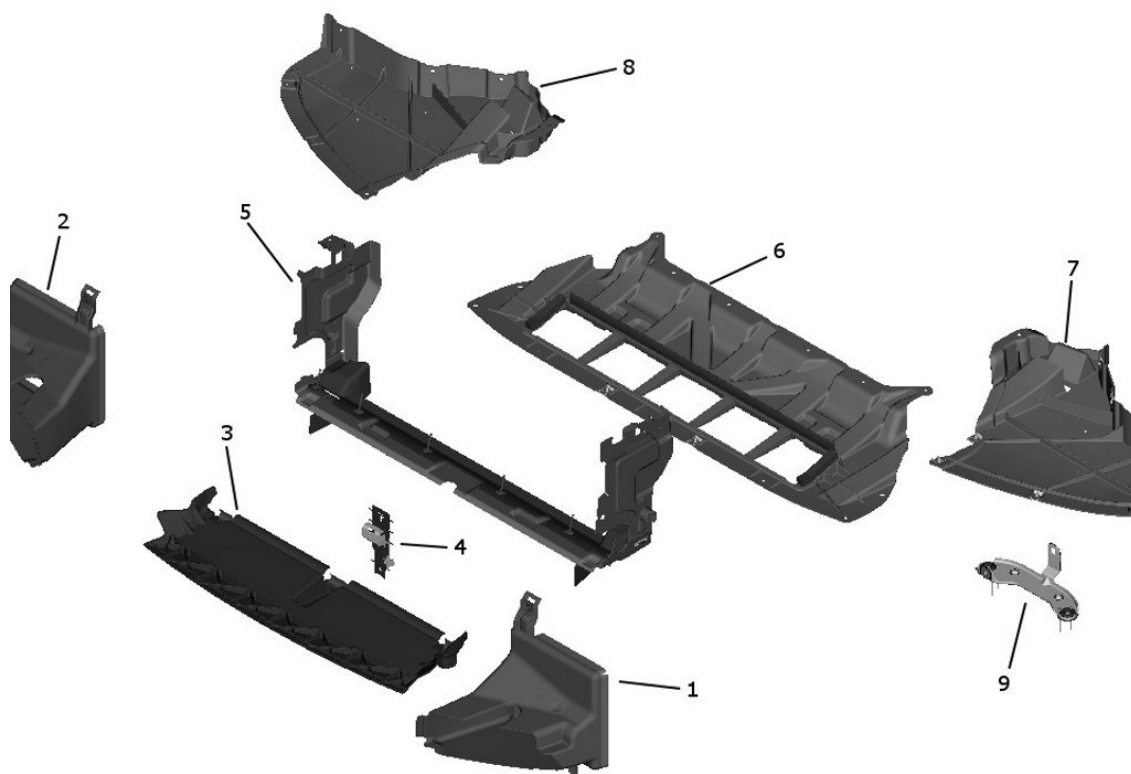


POS	Expression	Part number	B7 L	R H D	A W D	REM
2	Grab handle rear left piano mocha	51 16 817	1			
2	Grab handle rear right piano mocha	51 16 818	1			



POS	Expression	Part number	B7 L	R H D	A W D	REM
1	Lightsaber left	51 42 707	1			a
1	Lightsaber right	51 42 708	1			a

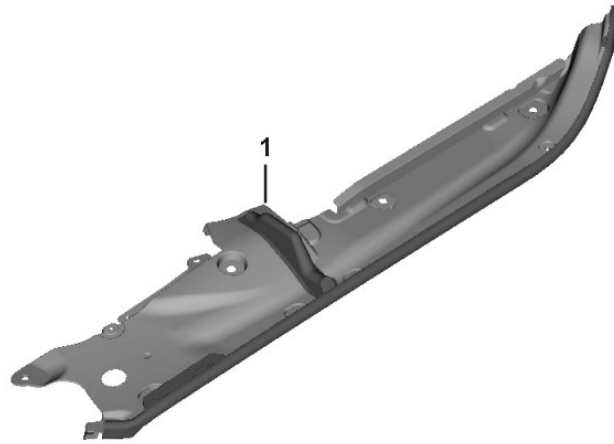
a) Roller sun visor rear lateral S416A = yes



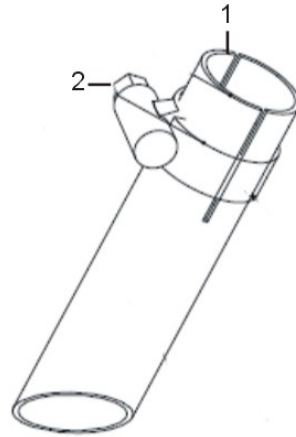
POS	Expression	Part number	B7 L	R H D	A W D	REM
1	Air guide ext. coolant cooler left	51 74 7 359 789	1			a
o.A.	Hex screw	07 14 9 231 164	2			a
2	Air guide ext. coolant cooler right	51 74 7 359 790	1			
3	Lower air guide centre	51 74 671	1			
o.A.	Blind rivet	51 77 7 171 004	4			
4	Holder lower air guide centre	51 74 673	1			
o.A.	Rivet nut alloy M6	07 14 508	1			
o.A.	Oval head screw with washer M6x21	07 14 7 263 759	20			
5	Air guide centre	51 74 677	1			
6	Underbonnet screen front	51 75 659	1			
7	Lower left cover	51 75 661	1			a
7	Lower left cover	51 75 677	1			b
8	Lower right cover	51 75 662	1			
9	Holder ext. oil cooler top left	51 64 7 357 219	1			a
o.A.	Oval head screw with washer	07 14 7 263 759	1			a
o.A.	Holder ext. oil cooler bottom left	51 64 7 357 221	1			a
o.A.	Hex screw M8x20	51 64 9 907 859	1			a

a) Auxiliary heater S536A = no

b) Auxiliary heater S536A = yes



POS	Expression	Part number	B7 L	R H D	A W D	REM
1	Sealing side panel left	51 76 7 485 597	1			
1	Sealing side panel right	51 76 7 485 598	1			



POS	Expression	Part number	B7 L	R H D	A W D	REM
1	Prolongation exhaust tube	64 12 001	1			a
2	Hose clamp 15-19	07 12 9 952 107	1			a

a) Auxiliary heater S536A = yes



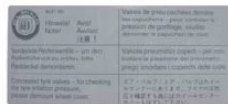
POS	Expression	Part number	B7 L	R H D	A W D	REM
1	Compressor Mobility System	71 10 6 792 688	1			a
1	Compressor Mobility System	71 10 6 871 123	1			b
2	Tire inflating bottle	71 10 2 282 826	1			a
2	Tire inflating bottle	71 10 6 880 720	1			b

a) only used in combination

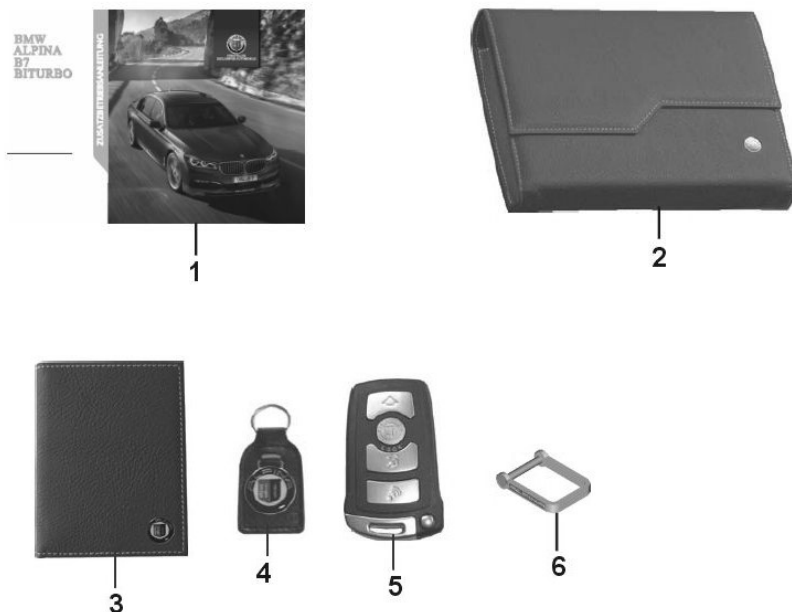
b) only used in combination



BMW ALPINA BITURBO		Reifen Druckwerte	
Reifen	Druckwert	Reifen	Druckwert
195/45 R17	2,5 bar	195/45 R17	2,5 bar
205/45 R18	2,5 bar	205/45 R18	2,5 bar
225/45 R19	2,5 bar	225/45 R19	2,5 bar



POS	Expression	Part number	B7 L	R H D	A W D	REM
1	Indification sticker	88 01 102	1			
2	Label "JAPANMODELL"	88 01 110	1			
3	Tyre pressure label	88 01 441	1			
5	Sticker Super Plus ROZ/RON 98	88 01 383	1			
6	Sticker rear spoiler 41 10 087"	88 01 439	1			
7	Sticker spark plug "NGK SILZKBR8D8S"	88 01 392	1			



POS	Expression	Part number	B7 L	R H D	A W D	REM
1	Owner's manual german	88 03 757	1			
1	Owner's manual english	88 03 758	1			
3	Briefcase A5	76 00 277	1			
3	Briefcase	76 00 638	1			
2	Brief case blue	76 00 276	1			
4	Key tag	51 00 296	1			
5	Remote control	a. Anfr./on req.	1			
6	Shackle	51 00 861	1			